

# PTS125 Series 12 mm Tact Switches



## Features/Benefits

- **Stable control feeling**
- **Thru-hole or vertical actuation**
- **160 or 260 grams actuation force**

## Typical Applications

- **Consumer products**
- **Instrumentation**
- **Computer products**
- **Industrial**

## Specification

FUNCTION: Momentary action  
CONTACT ARRANGEMENT: SPST, N.O.  
TERMINALS: PC pins

## Mechanical

ACTUATION FORCE: PTS125M models: 160 grams.  
PTS125 K models: 260 grams.  
LIFE EXPECTANCY: 200,000 operations.

## Electrical

CONTACT RATING: 50 mA @ 12 V DC.  
DIELECTRIC STRENGTH: 250 V AC min.  
CONTACT RESISTANCE: 100 mΩ max. initial.  
INSULATION RESISTANCE: 10<sup>11</sup> Ω min.

**NOTE:** Specifications listed above are for switches with standard options.  
For information on specific and custom switches, consult Customer Service Center.

## Environmental

OPERATING TEMPERATURE: -40°C to 60°C

## Process

SOLDERING: Preheating to 100°C for 45 sec. max. Keep flux flush with top surface of PCB; do not apply to component side of PCB and area where terminals are located. Soldering to 255°C for 5 sec. max. Clean by brushing on solder surface. Do not clean switch with solvents.

## Materials

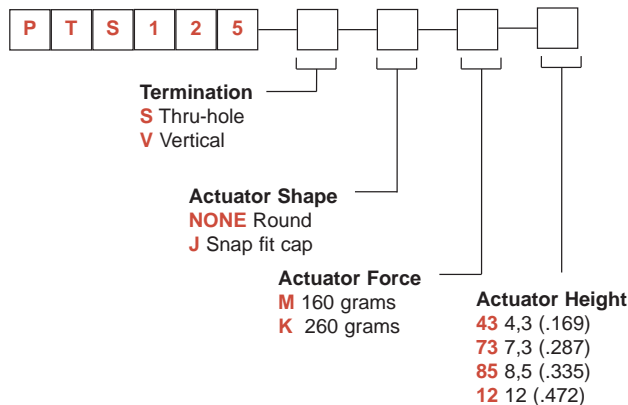
BASE: 6/6 nylon or glass filled polyester (PBT) (UL 94V-0).  
ACTUATOR: PBT (UL94V0) or polyacetal (UL 94HB).  
COVER PLATE: PTS645S: Polyester.  
PTS645V: Tin alloy.  
DOME CONTACTS: Phosphor bronze, silver clad.  
STATIONARY CONTACTS: Brass, silver plated.  
TERMINALS: Brass, silver plated. Insert molded.

## Packaging

Tape and reel

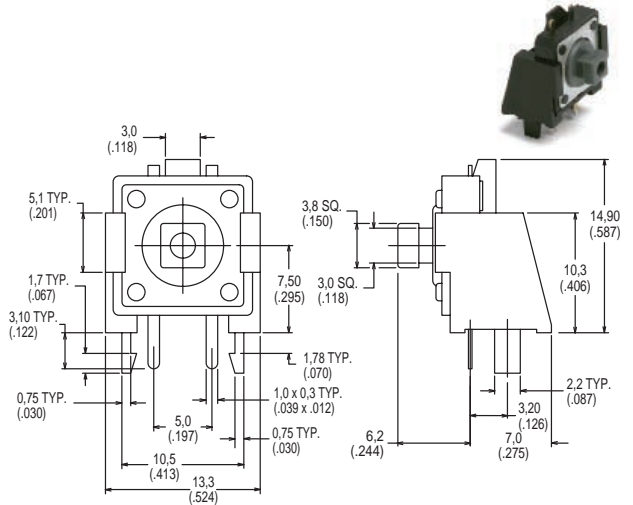
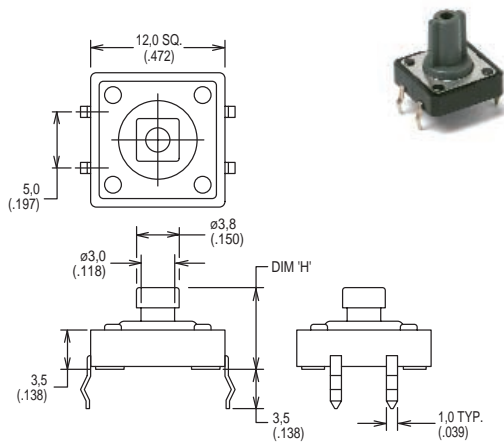
## How To Order

Our easy build-a-switch concept allows you to mix and match options to create the switch you need. To order, select desired option from each category and and place it in the appropriate box.



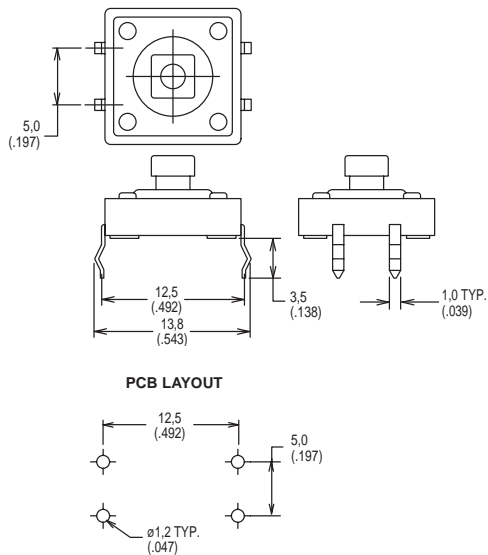
# PTS125 Series 12 mm Tact Switches

SERIES 

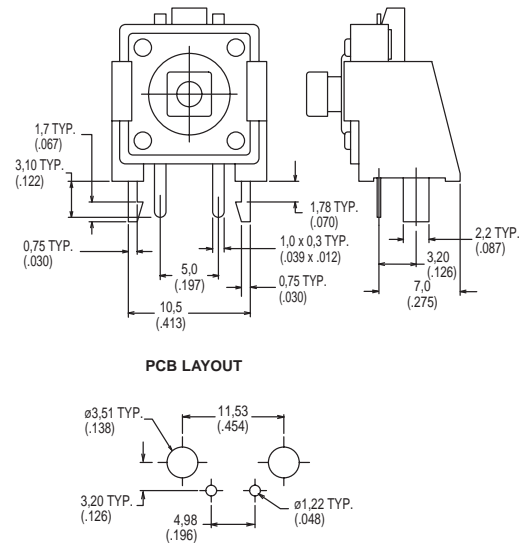


TERMINATION 

**S** THRU-HOLE

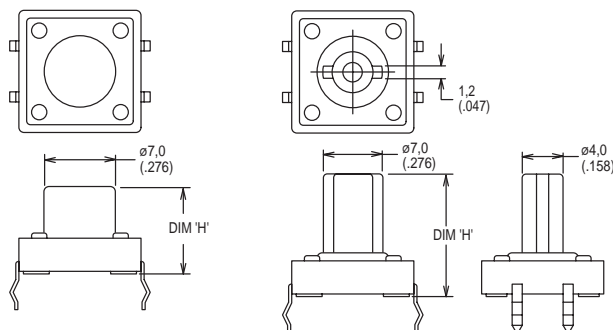


**V** VERTICAL

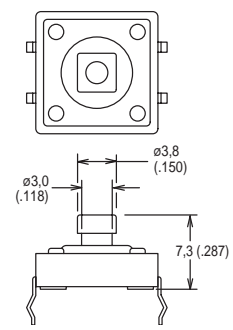


ACTUATOR SHAPE 

**NONE** ROUND



**J** SNAP-FIT CAP



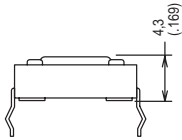
# PTS125 Series 12 mm Tact Switches

## ACTUATION FORCE

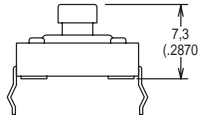
OPTION CODE	FORCE
<b>M</b>	160 grams
<b>K</b>	260 grams

## ACTUATOR HEIGHT

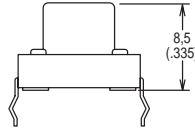
**43** 4,3 mm



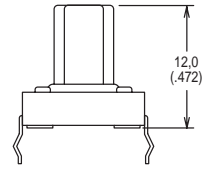
**73** 7,3 mm Snap-fit



**85** 8,5 mm



**12** 12 mm



Tactile Switches