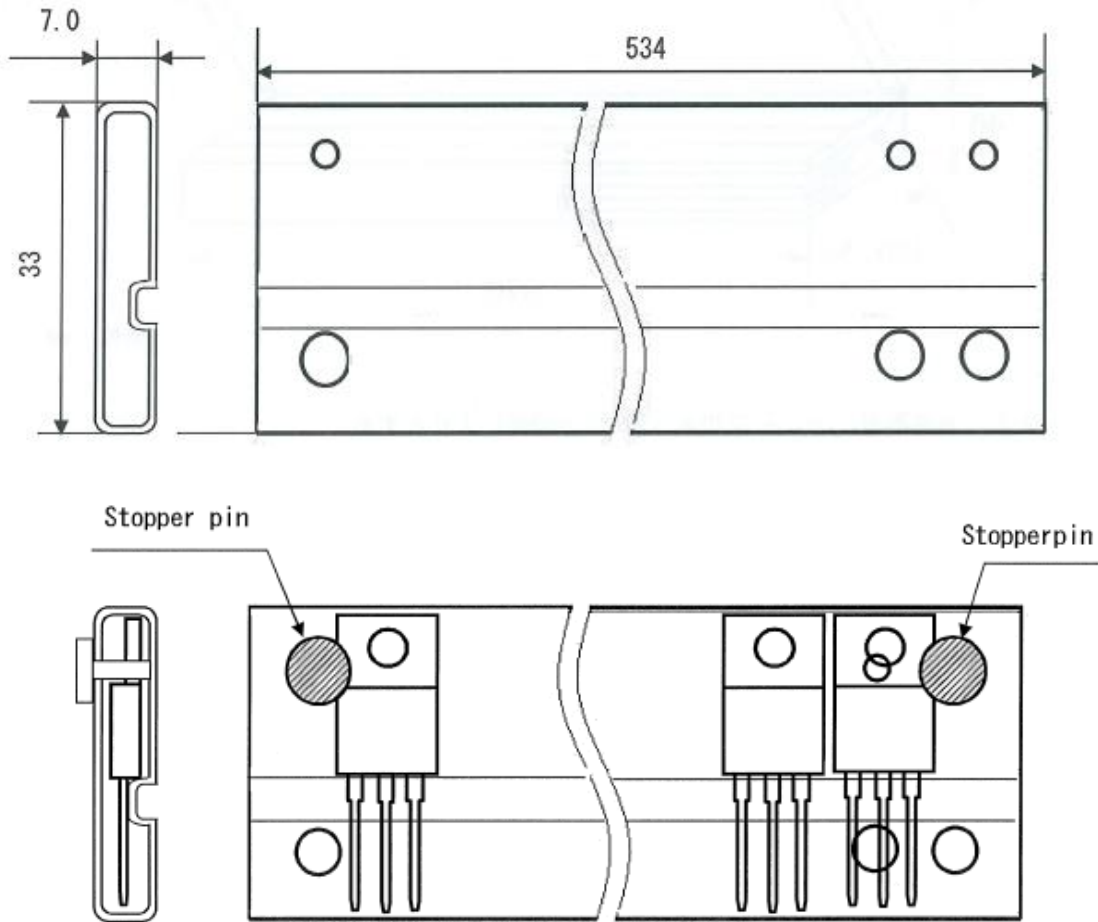


Product	SiC SBD	Package	TO-220AC
---------	---------	---------	----------

1.Packing

1-1 Tube dimension



Unit:mm

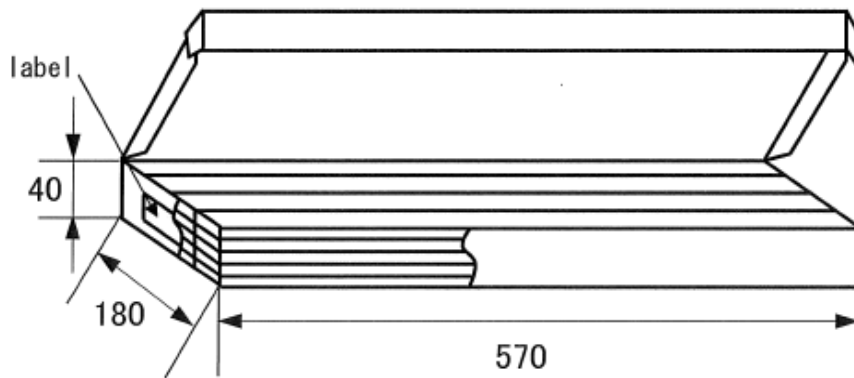
1-2 Tube Material: PS + Antistatic Treated

1-3 Packing Amount : 50 pcs in Tube

Packing

2.Inner Box

2-1 Inner Box Dimension



Unit : mm

2-2 Amount in the Inner Box : 20 Tube (Product 1 000 pcs)