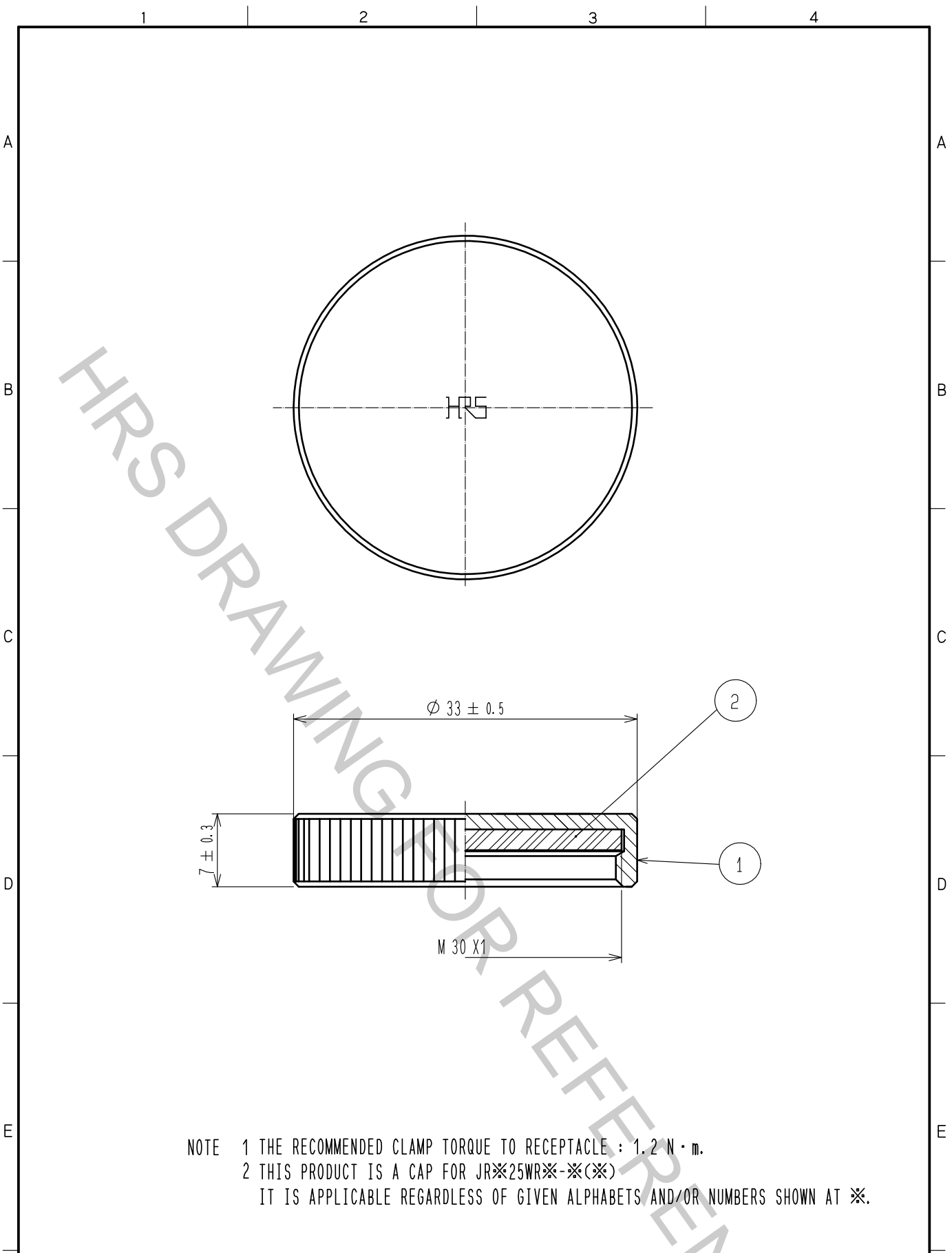


Aug.1.2018 Copyright 2018 HIROSE ELECTRIC CO., LTD. All Rights Reserved.
 In case that the application demands a high level of reliability, such as automotive,
 please contact a company representative for further information.



NOTE 1 THE RECOMMENDED CLAMP TORQUE TO RECEPTACLE : 1.2 N · m.
 2 THIS PRODUCT IS A CAP FOR JR※25WR※-※(※)
 IT IS APPLICABLE REGARDLESS OF GIVEN ALPHABETS AND/OR NUMBERS SHOWN AT ※.

1	BRASS	BLACK CHROME PLATING	2	CHLOROPRENE RUBBER (BLACK)	
NO.	MATERIAL	FINISH . REMARKS	NO.	MATERIAL	FINISH . REMARKS
UNITS mm		SCALE 2 : 1	COUNT 	DESCRIPTION OF REVISIONS	DESIGNED
					CHECKED
					DATE
HRS HIROSE ELECTRIC CO., LTD.	APPROVED	·HY. KOBAYASHI	18. 02. 22	DRAWING NO.	EDC-113027-31-00
	CHECKED	·HY. KOBAYASHI	18. 02. 22	PART NO.	JR25WRC(31)
	DESIGNED	·TH. KAMEYA	18. 02. 22	CODE NO.	CL114-2163-7-31
	DRAWN	·MK. INOUE	18. 02. 13		