





molex[®]









**SL Ribbon Cable Tool Kit
Operation Manual
Order No. 62201-6600**


- Description
- Operation
- Maintenance

Safety Warnings and Information

	<p>Read and understand all of the instructions and safety information in this manual before operating or servicing this tool.</p> <p><u>Keep this manual available when using this tool.</u> Replacement manuals are available at www.molex.com.</p>
---	--

SAFETY ALERT SYMBOL	
<p>This symbol is used to call your attention to hazards or unsafe practices which could result in an injury or property damage. The signal word, defined below, indicates the severity of the hazard. The message after the signal word provides information for preventing or avoiding the hazard.</p>	
 DANGER	<p>DANGER: Indicates an imminently hazardous situation which, if not avoided, could result in death or serious injury.</p>
 WARNING	<p>WARNING: Indicates a potentially hazardous situation which, if not avoided, could result in death or serious injury.</p>
 CAUTION	<p>CAUTION: Indicates a potentially hazardous situation which, if not avoided, may result in minor or moderate injury. CAUTION may also be used to alert against unsafe practices associated with events that could lead to personal injury.</p>

	 WARNING		 WARNING
<p>Always wear proper eye protection when Operating or servicing this tool.</p> <p>Failure to wear eye protection could result in serious eye injury from flying debris during test.</p>			<p>Never use this machine without safety devices that are intended to prevent hands from remaining in the tool.</p> <p>Failure to observe this warning could result in severe injury or death.</p>
	 WARNING		 WARNING
<p>Never operate, service, install, or adjust this equipment without proper instruction and without first reading and understanding the instructions in this manual and all applicable press and/or wire processing machine manuals.</p>			<p>Do not use compressed air to clean the equipment. The forces created by compressed air can force debris into the tool.</p> <p>Failure to observe these precautions may result in injury or property damage.</p>

 CAUTION
<p>Never perform any service or maintenance other than as described in this manual. Never modify, alter or misuse the equipment</p> <p>Molex crimp specifications are valid only when used with Molex terminals and tooling.</p> <p>Failure to observe this precaution may result in injury and / or property damage.</p>

Tooling Technical Assistance

Molex offers tooling technical assistance for customers who may need some guidance for tooling adjustments. This support can be obtained by calling either of the two numbers listed below and asking for the Molex Tooling Group. Call Toll Free 1-800-786-6539 (US) 1-630-969-4550 (Global).

This assistance is limited to the operation and set-up of a customer's Molex tool. Questions with regard to Molex connector products or how to identify the proper tooling and/ or tooling documentation should be directed to your local Molex personnel or Customer Service Representative.

When calling for service on the Arbor Tool Press it is recommended to have the following: a copy of the Operation Manual and a person familiar with the press should be present. The following information is also recommended to supply:

1. Customer name
2. Customer address
3. Person to contact such as (name, title, e-mail, and telephone number)
4. Hand held pull tester number (638019700)
5. Urgency of request
6. Nature of problem

Molex Application Tooling Group

2200 Wellington Court

Lisle, IL 60532, USA

Tel: +1 (630) 969-4550

Fax: +1 (630) 505-0049

Visit our Web site at <http://www.molex.com>

Table of Contents

SL Ribbon Cable Tool Kit	1
Operation Manual	1
Order No. 62201-6600.....	1
Safety Warnings and Information	2
Tooling Technical Assistance	3
Section 1.....	5
General Description.....	5
1.1 Description.....	6
1.2 Features.....	6
1.3 Technical Specifications	6
1.4 Delivery Check.....	6
1.5 Tools.....	6
Section 2.....	7
Operation.....	9
2.1 Installation.....	9
2.2 Set Up.....	9
2.3 Operation	10
Section 3.....	12
Maintenance.....	12
3.1 Cleaning.....	13
3.2 Lubrication	13
3.3 Perishable Parts	14
3.4 Spare Parts.....	14
3.5 Troubleshooting.....	15
Section 4.....	16
Parts List and Assembly.....	16
4.1 Parts List.....	17
4.1 Assembly	17
4.2 Parts List.....	18
4.2 Assembly	19
Section 5.....	20
Connector Series Chart (2 to 25 Circiut)	20

Section 1

General Description

- 1.1. Description
- 1.2. Features
- 1.3. Technical Specifications
- 1.4. Delivery Check
- 1.5. Tools
- 1.6. Products

General Description

1.1 Description

The 62201-6600 SL Ribbon Cable Tool Kit is designed to be used in the Molex Standard Manual Press (Order Number 11-31-6356).

The operator loads a connector into the nest then loads the wires into the wire guides and pulls the press lever forward and down terminating the wires into the connector. This tool is ideally suited for low volume production.

It is designed to terminate the 2.54mm Pitch SL™ IDT connectors (70400 and 70475 series) on to ribbon cable.

The tooling will accommodate from 2 to 25 circuits.

1.2 Features

- Full cycle ratchet assures complete crimp.
- Handle is easily changed to suit right or left handed operators.
- Modular tooling is quickly installed into the Molex Standard Assembly Press 11-31-6356 (AM60026-50).
- Manually operated, no shop air or electricity required.
- Intended for low volume assemblies

1.3 Technical Specifications

Dimensions	Press with tooling
Height	533.0mm (21.00")

Width	152mm (6.00")
Depth	267mm (10.50")
Unpacked weight	25kg (55 lbs)

Production Rate

150 terminations per hour maximum, depending on operator skill and wire length.

Ram

Force	3000 lbs. (136kg) Maximum
Stroke	44.45mm (1.750")

1.4 Delivery Check

The following items are included in this package :

<u>Decription:</u>	<u>Quantity</u>
Tool Kit	62201-6600 1
Operation Manual	TM-622016600 1

Sold Separately

Molex Standard Assembly Press
11-31-6356 (AM60026-50)

1.5 Tools

The following tools are recommended for setup and adjustments to the this tool.

- ✓ Inch hex wrench set
- ✓ Small standard screwdriver
- ✓ Adjustable wrench
- ✓ 5X Eye Loupe
- ✓ Needle Nose Pliers

Section 2

- 2.1. Instalation
- 2.2. Set-Up
- 2.3. Operation
- 2.4. Products

Principal Mechanical Parts of the 62201-6600 Tool Kit with Press

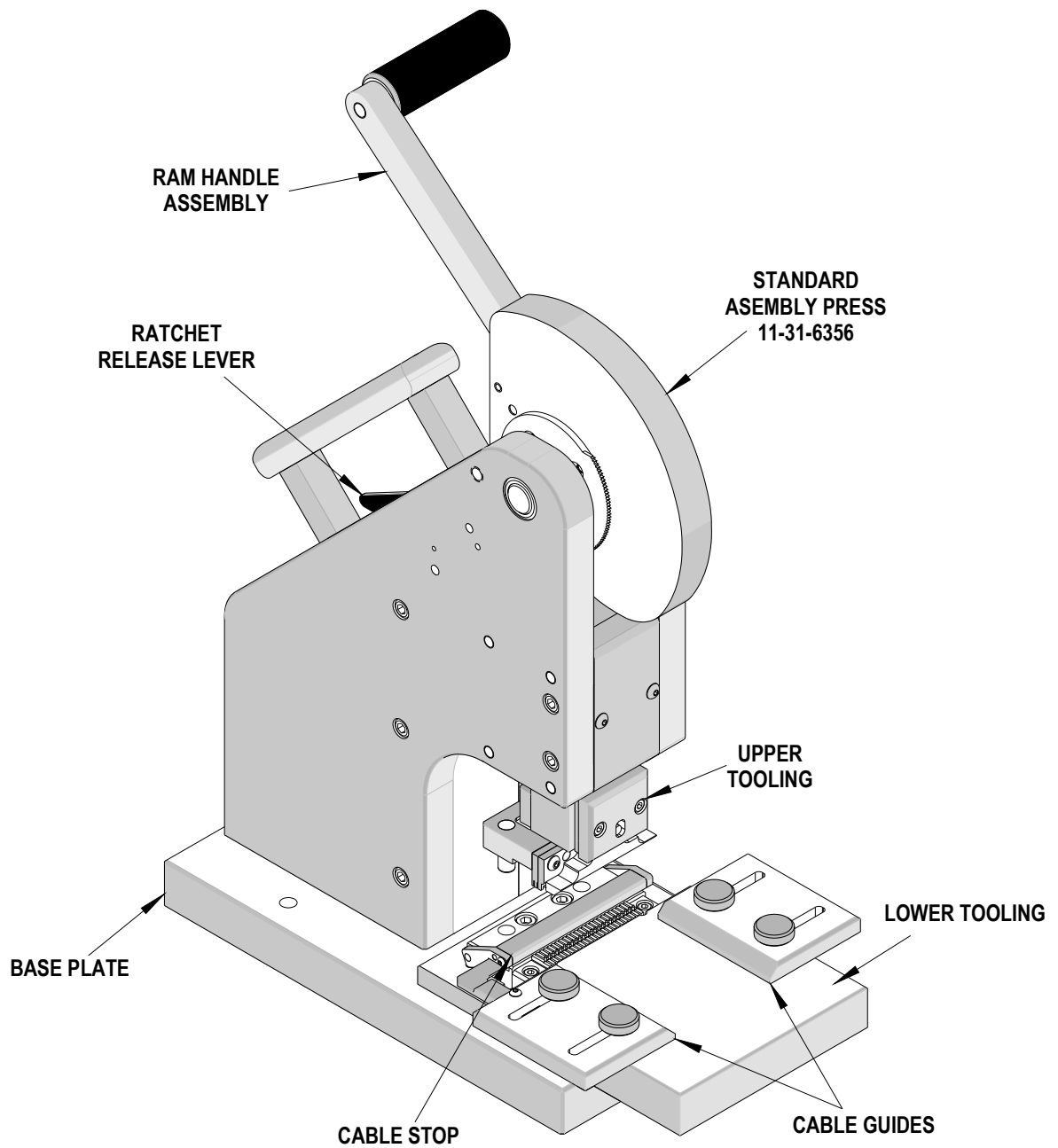


Figure 2-1

Operation

2.1 Installation

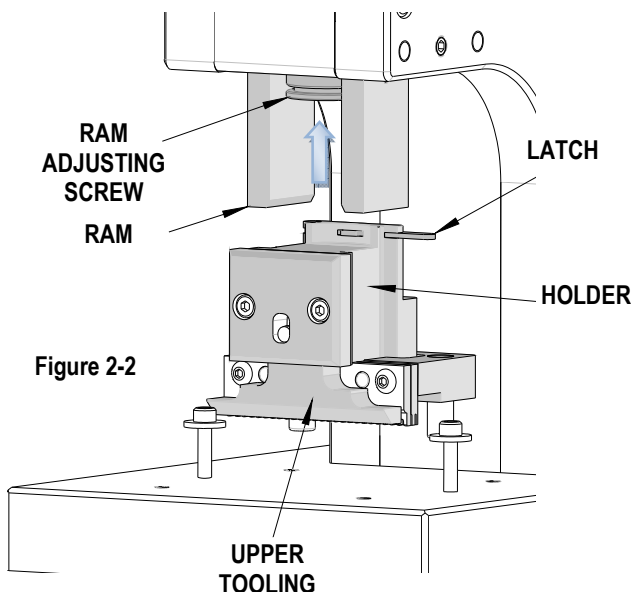
To secure the press, use a bench capable of supporting at least 150 pounds, with adequate lighting for easy operation. There are two (2) holes for 5/16" screws provided in the press base for fastening the press to the workbench. Be sure there is adequate room around the press to operate easily.

To install the tooling into the press follow the steps below:

Upper Tooling

1. Remove any tooling that may be installed in the press.
2. Loosen the locking #1/4-20 set-screw on the side of the upper tooling holder until it clears the middle slot in the tool holder.
3. Slide the upper tooling holder with upper tooling, upward over the ram adjusting screw, until it comes to a stop. See Figure 2-2.

NOTE: Lowering the press ram slightly may assist in installing the upper tooling.



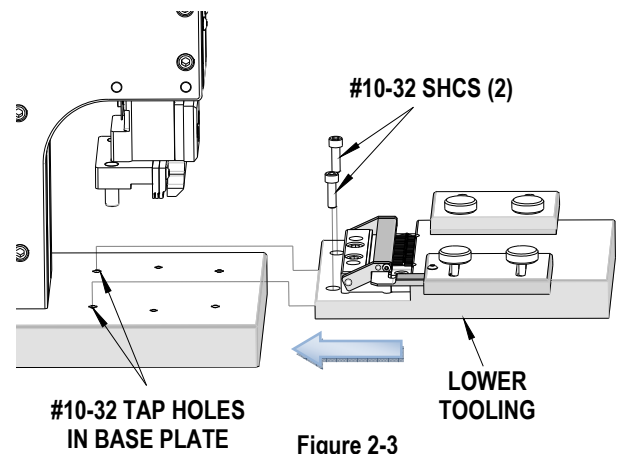
4. Push the latch backward (away from the operator). The upper tooling will now slide up

onto the ram an additional approximately 4.0mm (0.16").

5. Release the latch, the upper tooling will stay in place.

Lower Tooling

1. Make sure the two (2) spring loaded screws on the base plate of the Molex Standard Manual Press are removed before installing the lower tooling.
2. With the press ram in the up position, mount the lower tooling in the press.
3. Install two (2) #10-32 socket head cap screws as shown in Figure 2-3. **Do not tighten at this time.**
4. Slowly lower the upper tooling by pulling forward and down on the press lever. Check the alignment between the upper and lower tooling.
5. When everything is properly aligned, tighten the two (2) #10-32 SHSC.



6. Return the press ram to the full up position.

2.2 Set Up

The setup operations required for this tooling are adjusting the cable guides, adjusting the press ram stroke, and adjusting the connector nest.

Termination Height

1. To adjust the termination height, load a connector into the nest with the terminals in the pilots.
2. Position and clamp a cable in the nest.

3. Terminate a cable to the connector. See Section 2.3 *Operation* for additional instructions on terminating.
4. Check the quality of the termination. For more information on the quality of the termination see Specification document no. SDES-70400 Section 4.2, *I.D.T.*

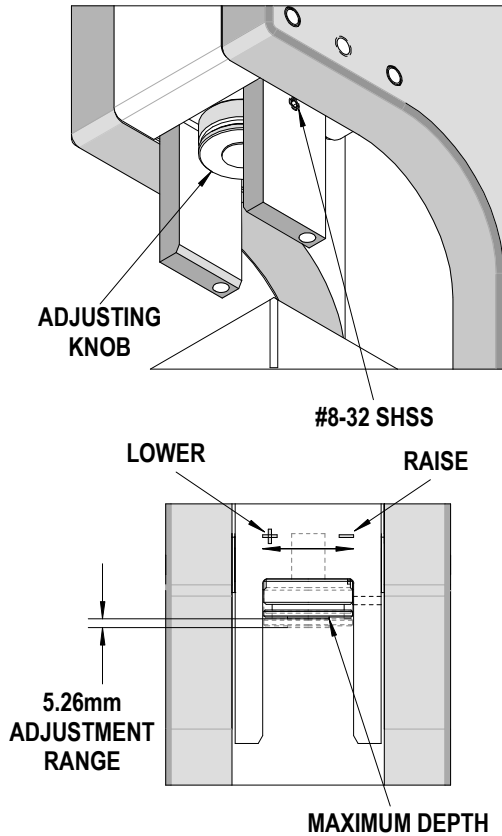


Figure 2-4

Ram Stroke Adjustment

1. Loosen the #8-32 set screw in the Ram which locks the Ram Adjusting Screw into place. See Figure 2-4.
2. There is an indicator engraved on the ram just above the Ram Adjusting Screw. Turn the Ram Adjusting Screw clockwise (CW) toward the “+” sign to increase the ram stroke. To decrease the stroke, turn the Ram Adjusting Screw counterclockwise (CCW) toward the “-” sign. Stroke adjustment controls the shut height of the connector assembly. Ram stroke is set so that the connector measures a specific shut height when terminated. See Product Specifications for proper shut height dimensions and related information.

3. Once the correct stroke is set, tighten the #8-32 set screw.

Left or Right Handed Operation

The Molex Standard Manual Press can be set up for either left or right handed operators by simply reversing the handle on the press lever. See the Molex Standard Assembly Press (Order No: TM-011316356) for complete instructions.

Cable Preparation

The ribbon cable must be notched before use. The notch should be a minimum of .350 in. deep. See Specification document no. SDES-70400 Section 3.2, *I.D.T.*

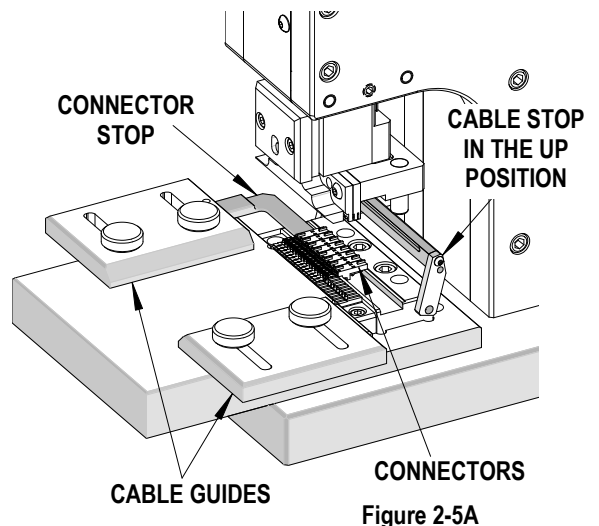


Figure 2-5A

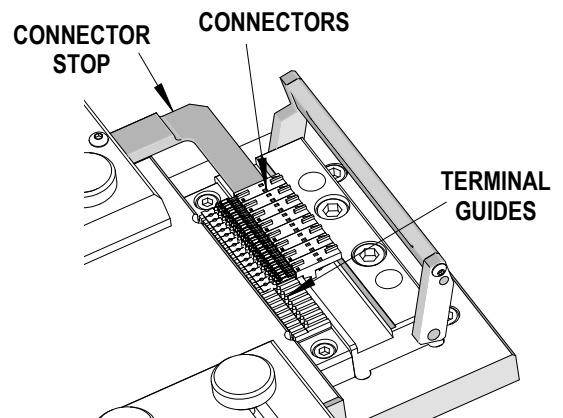


Figure 2-5B

2.3 Operation

Press Operation

1. Load a connector(s) (70400 or 70475 series) into the nest making sure the terminals are in the terminal guides. See Fig.2-5A and 2-5B.

These figures show a group of 8 2-circuit connectors.)

2. Lower the cable stop onto the connector. See Figure 2-6).

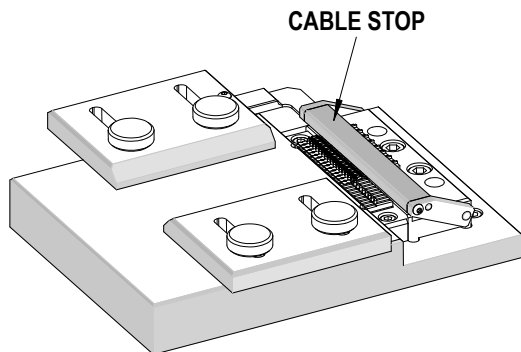


Figure 2-6

3. Place a cable between the cable guides and adjust the guides, if necessary, to center the cable over the connector but not so tight as to restrict cable handling.
4. Slide the cable up to the cable stop. See Figure 2-7.

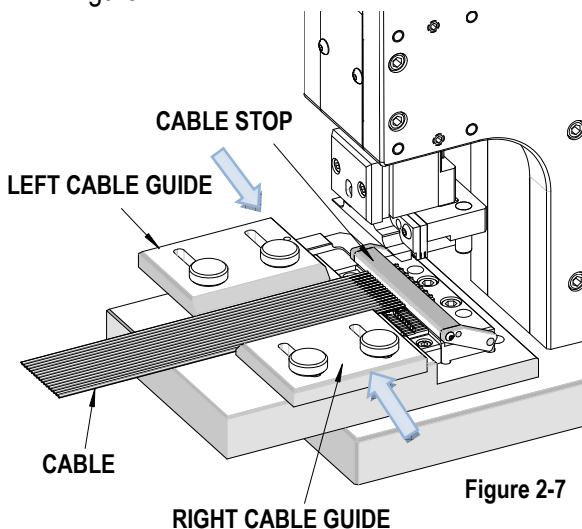


Figure 2-7

7. Remove the connector and cable assembly from the termination nest.
8. Carefully push the terminals into the connector until the latching tab on the terminals snap into the little window.
9. Break off the carrier strips by bending them down away from the cable at least 90 degrees. If they do not break off, bend them back and forth until they do.

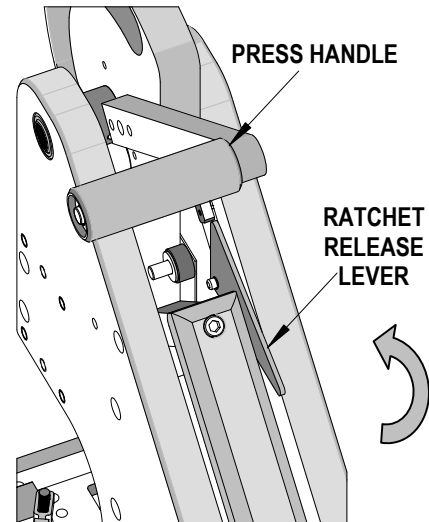


Figure 2-8



WARNING

Once the press ram handle has started to descend, it cannot be returned to the up position until the full stroke of the press has been completed. In case of a jam or some other problem, should the press ram ever need to be returned to the up position before completing the full stroke, pull up on the ratchet release lever and raise the press ram handle. The ratchet release lever is located on the upper left side of the press frame. See Figure 2-8.



CAUTION: Before doing the next step, make sure all fingers are out of the termination area!

5. Cycle the press ram by pulling the press lever forward and down.
6. Return the press lever to the full up position.

Section 3

Maintenance

- 3.1. Cleaning
- 3.2. Lubrication
- 3.3. Perishable Parts
- 3.4. Spare Parts
- 3.5. Troubleshooting
- 3.6. Glossary of Terms

3.1 Cleaning

This press should be cleaned daily. Use a soft bristle brush to remove debris from critical areas such as the housing nest. See the Chart on next page for recommended Preventive Maintenance Schedule.



NOTE: Using compressed air to clean tooling is *not* recommended. Chips can wedge in the tooling and/or fly at an operator.

3.2 Lubrication

1. Grease the ram including the cam follower groove.
2. Oil all moving parts of the press.
3. Lubricate with multipurpose synthetic lubricant with Teflon or an equivalent. Molex ships its presses pre-greased with Permatex multi-purpose synthetic grease with Teflon No. 82329. A SAE 30WT non-detergent oil or light spindle oil or 3-in-1 oil should be used on pivot points.



WARNING: Never use penetrants such as WD40 for any lubrication on the press.

4. Lubricate all points shown in Figures 3-1 with the specified oil and grease (or equivalent).

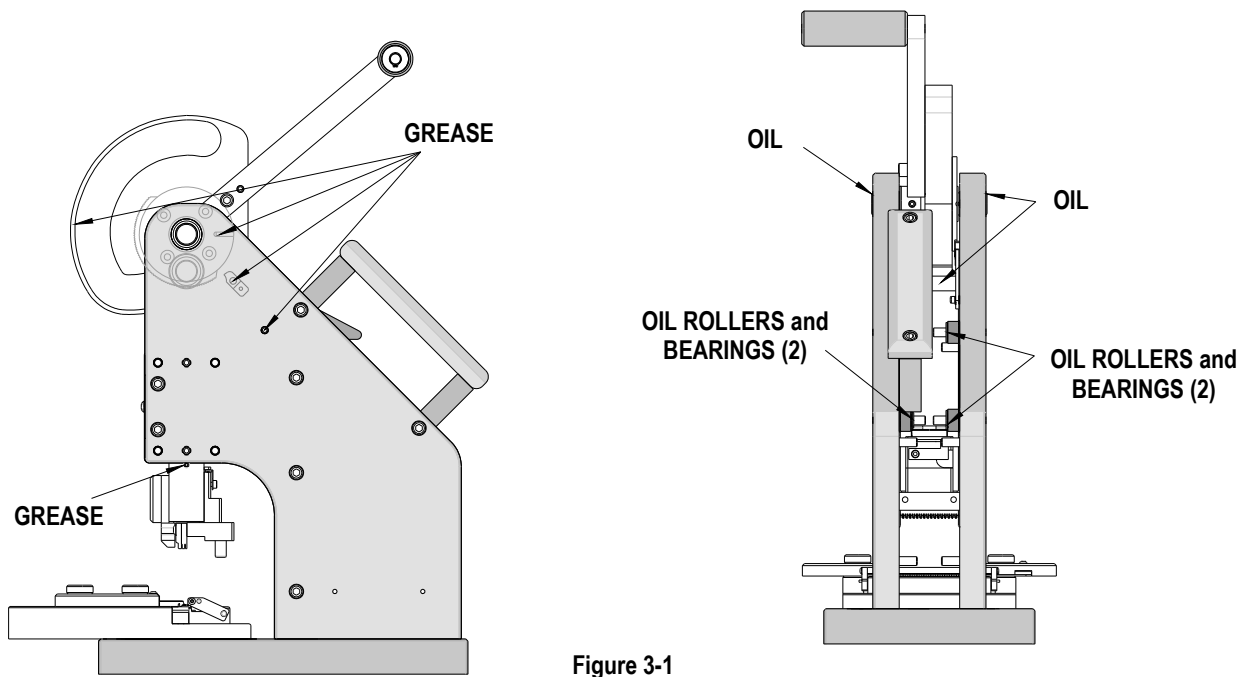


Figure 3-1

An example of a maintenance chart is shown below. Copy and use this chart to track the maintenance of your Press or use this as a template to create your own schedule or use your company's standard chart, if applicable.

Preventive Maintenance Chart

Daily: Clean. See Section 3.1.
As Required: Lubricate. See Section 3.2.

CHECK SHEET MONTH _____ YEAR _____

Week	Daily Clean	Days of the Week							Solution
		MON	TUE	WED	THU	FRI	SAT	SUN	
1									
2									
3									
4									
Cleaning Reapply greasing Reapply oil	Yes								Soft Brush Industrial Degreaser
Inspect all tooling for wear	Yes								Replace if signs of wear.

Schedule should be adjusted up or down depending on usage. Molex recommends that a log of preventive maintenance be kept with the press.

3.3 Perishable Parts

Customers are responsible for maintaining the Complete Manual Press and with the Tool Kit Assembly. Perishable parts are those parts that come in contact with the product and will wear out over time. Molex recommends that all customers keep at least one set of the perishable tooling in stock at all times. This will reduce the amount of production down time.

3.4 Spare Parts

Customers are responsible for maintaining the Complete Manual Press and with the Tool Kit Assembly. Spare parts are available. Moving and functioning parts can be damaged or wear out over time and will require replacement. Molex recommends that the customer keep some or all of them in stock to reduce production down time. These parts are identified in the Parts List. See Section 4.

3.5 Troubleshooting

Symptom	Cause	Solution
Ram goes down but will not go back up	<ul style="list-style-type: none"> ▪ Sticking ratchet pawl or debris in mechanism 	Clean and lubricate pivot points.
	<ul style="list-style-type: none"> ▪ Ram set too low 	Release ram with release lever and adjust ram stroke. See Section 2.2, <i>Ram Stroke Adjustment</i> .
Full stroke ratchet mechanism not engaging	<ul style="list-style-type: none"> ▪ Sticking ratchet pawl or debris in mechanism 	Clean and lubricate pivot points
	<ul style="list-style-type: none"> ▪ Broken ratchet pawl spring or damaged pawl 	Repair or Replace.
	<ul style="list-style-type: none"> ▪ Worn anti-backup sprocket. 	Replace.
Crimp section of connector damaged.	<ul style="list-style-type: none"> ▪ Damaged upper and/or lower crimp die 	Replace die(s).
	<ul style="list-style-type: none"> ▪ Connector not positioned correctly over nest 	Connector nest not positioned correctly. See Section 2.2, <i>Connector Nest</i> .
	<ul style="list-style-type: none"> ▪ Upper and lower nest not properly aligned 	Read Section 2.1, <i>Upper Tooling</i> and <i>Lower Tooling</i> , to realign the dies.
Connector assembly not fully crimped	<ul style="list-style-type: none"> ▪ Press ram stroke too short 	Adjust the press stroke. See Section 2.2. <i>Ram Stroke Adjustment</i>
Consult Press Manual order number ATS-011316356 for any press problems.		

Section 4

Parts List and Assembly

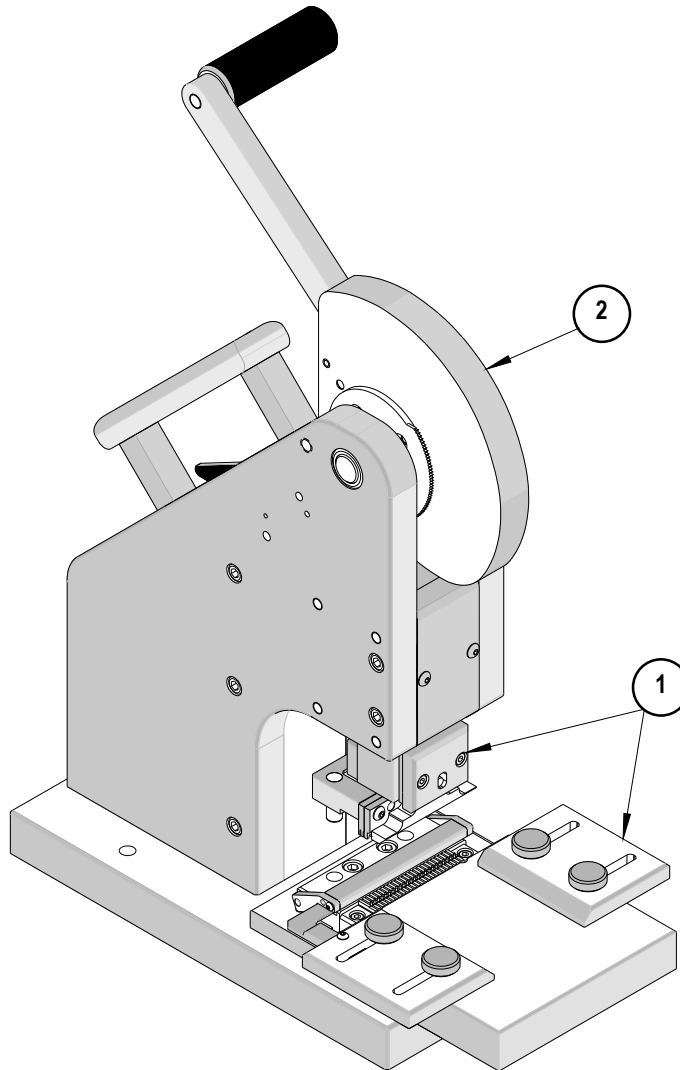
4.1 Parts List

4.2 Assembly Drawings

4.1 Parts List

Tool Kit for Manual Press 62201-6600				
Item	Order No.	Engineering No.	Description	Quantity
1	62201-6600	62201-6600	Tool Kit	1
2	11-31-6356	AM60026-50	Molex Standard Manual Press <i>(Sold Separately)</i>	REF

4.1 Assembly

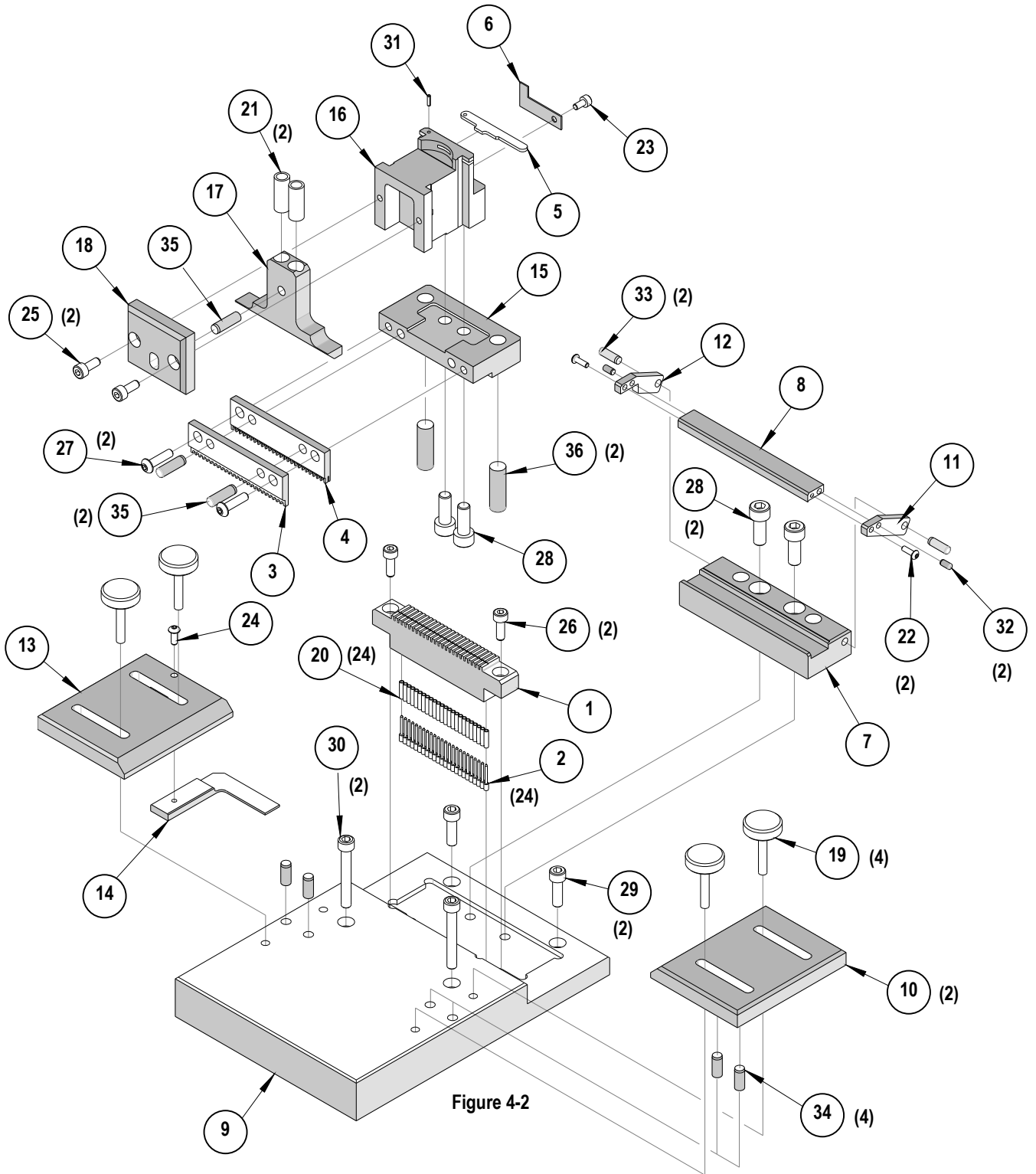


4.2 Parts List

Tool Kit Assembly 62201-6600					
Item No.	Order No.	Engineering No.	Description	Spare Parts	Quantity
Perishable Tooling					
1	62201-6601	62201-6601	Anvil		1
2	62201-6603	62201-6603	Pilot Pin	RSP	24
3	62201-6615	62201-6615	Crimp Punch		1
4	62201-6616	62201-6616	Termination Punch		1
Other Components					
5	11-31-7151	AM60037-5	Latch	RSP	1
6	11-31-7152	AM60037-6	Spring	RSP	1
7	62201-6602	62201-6602	Connector Nest		1
8	62201-6604	62201-6604	Cable Stop		1
9	62201-6605	62201-6605	Platen		1
10	62201-6606	62201-6606	Right Cable Guide		1
11	62201-6609	62201-6609	Cable Stop Right Arm		1
12	62201-6610	62201-6610	Cable Stop Left Arm		1
13	62201-6611	62201-6611	Left Cable Guide		1
14	62201-6612	62201-6612	Indicator		1
15	62201-6617	62201-6617	Punch Mount		1
16	62201-6618	62201-6618	Ram Yoke		1
17	62201-6619	62201-6619	Cable Stripper		1
18	62201-6620	62201-6620	Stripper Cover		2
19	63600-0949	63600-0949	Knurled Head Screw		4
20	63600-0950	63600-0950	Compression Spring	RSP	24
21	63600-0951	63600-0951	Compression Spring	RSP	2
Hardware					
22	N/A	N/A	M2.5 by 8 BHCS		2**
23	N/A	N/A	M3 by 6 SHCS		1**
24	N/A	N/A	M3 by 8 BHCS		1**
25	N/A	N/A	M4 by 10 SHCS		2**
26	N/A	N/A	M4 by 12 SHCS		2**
27	N/A	N/A	M4 by 16 BHCS		2**
28	N/A	N/A	M6 by 16 SHCS		4**
29	N/A	N/A	#10-32 by 5/8 SHCS		2**
30	N/A	N/A	#10-32 by 1 3/8 SHCS		2**
31	N/A	N/A	1/16 by 0.25" Long Roll Pin		1**
32	N/A	N/A	3mm by 6 Long Dowel Pin		2**
33	N/A	N/A	4mm by 12 Long Dowel Pin		2**
34	N/A	N/A	5mm by 12 Long Dowel Pin		4**
35	N/A	N/A	5mm by 16 Long Dowel Pin		3**
36	N/A	N/A	8mm by 25 Long Dowel Pin		2**

** Available from an industrial supply company such as MSC (1-800-645-7270).

4.2 Assembly



Section 5
Connector Series Chart (2 to 25 Circiut)

Series No.	Connector Assembly Order No.							
70400	14-56-2021	14-56-2022	14-56-2023	14-56-2024	14-56-2025	14-56-2026	14-56-2027	14-56-2028
	14-56-2029	14-56-2031	14-56-2032	14-56-2033	14-56-2034	14-56-2035	14-56-2036	14-56-2037
	14-56-2038	14-56-2039	14-56-2041	14-56-2042	14-56-2043	14-56-2044	14-56-2045	14-56-2046
	14-56-2047	14-56-2048	14-56-2049	14-56-2051	14-56-2052	14-56-2053	14-56-2054	14-56-2055
	14-56-2056	14-56-2057	14-56-2058	14-56-2059	14-56-2061	14-56-2062	14-56-2063	14-56-2064
	14-56-2065	14-56-2066	14-56-2067	14-56-2068	14-56-2069	14-56-2071	14-56-2072	14-56-2073
	14-56-2074	14-56-2075	14-56-2076	14-56-2077	14-56-2078	14-56-2079	14-56-2081	14-56-2082
	14-56-2083	14-56-2084	14-56-2085	14-56-2086	14-56-2087	14-56-2088	14-56-2089	14-56-2091
	14-56-2092	14-56-2093	14-56-2094	14-56-2095	14-56-2096	14-56-2097	14-56-2098	14-56-2099
	14-56-2101	14-56-2102	14-56-2103	14-56-2104	14-56-2105	14-56-2106	14-56-2107	14-56-2108
	14-56-2109	14-56-2111	14-56-2112	14-56-2113	14-56-2114	14-56-2115	14-56-2116	14-56-2117
	14-56-2118	14-56-2119	14-56-2121	14-56-2122	14-56-2123	14-56-2124	14-56-2125	14-56-2126
	14-56-2127	14-56-2128	14-56-2129	14-56-2131	14-56-2132	14-56-2133	14-56-2134	14-56-2135
	14-56-2136	14-56-2137	14-56-2138	14-56-2139	14-56-2141	14-56-2142	14-56-2143	14-56-2144
	14-56-2145	14-56-2146	14-56-2147	14-56-2148	14-56-2149	14-56-2151	14-56-2152	14-56-2153
	14-56-2154	14-56-2155	14-56-2156	14-56-2157	14-56-2158	14-56-2159	14-56-2161	14-56-2162
	14-56-2163	14-56-2164	14-56-2165	14-56-2166	14-56-2167	14-56-2168	14-56-2169	14-56-2171
	14-56-2172	14-56-2173	14-56-2174	14-56-2175	14-56-2176	14-56-2177	14-56-2178	14-56-2179
	14-56-2181	14-56-2182	14-56-2183	14-56-2184	14-56-2185	14-56-2186	14-56-2187	14-56-2188
	14-56-2189	14-56-2191	14-56-2192	14-56-2193	14-56-2194	14-56-2195	14-56-2196	14-56-2197
	14-56-2198	14-56-2199	14-56-2201	14-56-2202	14-56-2203	14-56-2204	14-56-2205	14-56-2206
	14-56-2207	14-56-2208	14-56-2209	14-56-2211	14-56-2212	14-56-2213	14-56-2214	14-56-2215
	14-56-2216	14-56-2217	14-56-2218	14-56-2219	14-56-2221	14-56-2222	14-56-2223	14-56-2224
	14-56-2225	14-56-2226	14-56-2227	14-56-2228	14-56-2229	14-56-2231	14-56-2232	14-56-2233
	14-56-2234	14-56-2235	14-56-2236	14-56-2237	14-56-2238	14-56-2239	14-56-2241	14-56-2242
	14-56-2243	14-56-2244	14-56-2245	14-56-2246	14-56-2247	14-56-2248	14-56-2249	14-56-2251
	14-56-2252	14-56-2253	14-56-2254	14-56-2255	14-56-2256	14-56-2257	14-56-2258	14-56-2259
	14-56-3021	14-56-3022	14-56-3023	14-56-3024	14-56-3025	14-56-3026	14-56-3027	14-56-3028
	14-56-3029	14-56-3031	14-56-3032	14-56-3033	14-56-3034	14-56-3035	14-56-3036	14-56-3037
	14-56-3038	14-56-3039	14-56-3041	14-56-3042	14-56-3043	14-56-3044	14-56-3045	14-56-3046
	14-56-3047	14-56-3048	14-56-3049	14-56-3051	14-56-3052	14-56-3053	14-56-3054	14-56-3055
	14-56-3056	14-56-3057	14-56-3058	14-56-3059	14-56-3061	14-56-3062	14-56-3063	14-56-3064
	14-56-3065	14-56-3066	14-56-3067	14-56-3068	14-56-3069	14-56-3071	14-56-3072	14-56-3073
	14-56-3074	14-56-3075	14-56-3076	14-56-3077	14-56-3078	14-56-3079	14-56-3081	14-56-3082
	14-56-3083	14-56-3084	14-56-3085	14-56-3086	14-56-3087	14-56-3088	14-56-3089	14-56-3091
	14-56-3092	14-56-3093	14-56-3094	14-56-3095	14-56-3096	14-56-3097	14-56-3098	14-56-3099
	14-56-3101	14-56-3102	14-56-3103	14-56-3104	14-56-3105	14-56-3106	14-56-3107	14-56-3108
	14-56-3109	14-56-3111	14-56-3112	14-56-3113	14-56-3114	14-56-3115	14-56-3116	14-56-3117
	14-56-3118	14-56-3119	14-56-3121	14-56-3122	14-56-3123	14-56-3124	14-56-3125	14-56-3126
	14-56-3127	14-56-3128	14-56-3129	14-56-3131	14-56-3132	14-56-3133	14-56-3134	14-56-3135
	14-56-3136	14-56-3137	14-56-3138	14-56-3139	14-56-3141	14-56-3142	14-56-3143	14-56-3144
	14-56-3145	14-56-3146	14-56-3147	14-56-3148	14-56-3149	14-56-3151	14-56-3152	14-56-3153
	14-56-3154	14-56-3155	14-56-3156	14-56-3157	14-56-3158	14-56-3159	14-56-3161	14-56-3162
	14-56-3163	14-56-3164	14-56-3165	14-56-3166	14-56-3167	14-56-3168	14-56-3169	14-56-3171
	14-56-3172	14-56-3173	14-56-3174	14-56-3175	14-56-3176	14-56-3177	14-56-3178	14-56-3179
	14-56-3181	14-56-3182	14-56-3183	14-56-3184	14-56-3185	14-56-3186	14-56-3187	14-56-3188
	14-56-3189	14-56-3191	14-56-3192	14-56-3193	14-56-3194	14-56-3195	14-56-3196	14-56-3197
	14-56-3198	14-56-3199	14-56-3201	14-56-3202	14-56-3203	14-56-3204	14-56-3205	14-56-3206
14-56-3207	14-56-3208	14-56-3209	14-56-3211	14-56-3212	14-56-3213	14-56-3214	14-56-3215	
14-56-3216	14-56-3217	14-56-3218	14-56-3219	14-56-3221	14-56-3222	14-56-3223	14-56-3224	

Series No.	Connector Assembly Order No.							
70400	14-56-3225	14-56-3226	14-56-3227	14-56-3228	14-56-3229	14-56-3231	14-56-3232	14-56-3233
	14-56-3234	14-56-3235	14-56-3236	14-56-3237	14-56-3238	14-56-3239	14-56-3241	14-56-3242
	14-56-3243	14-56-3244	14-56-3245	14-56-3246	14-56-3247	14-56-3248	14-56-3249	14-56-3251
	14-56-3252	14-56-3253	14-56-3254	14-56-3255	14-56-3256	14-56-3257	14-56-3258	14-56-3259
	14-56-4020	14-56-4021	14-56-4022	14-56-4023	14-56-4024	14-56-4025	14-56-4030	14-56-4031
	14-56-4032	14-56-4033	14-56-4034	14-56-4035	14-56-4040	14-56-4041	14-56-4042	14-56-4043
	14-56-4044	14-56-4045	14-56-4050	14-56-4051	14-56-4052	14-56-4053	14-56-4054	14-56-4055
	14-56-4060	14-56-4061	14-56-4062	14-56-4063	14-56-4064	14-56-4065	14-56-4070	14-56-4071
	14-56-4072	14-56-4073	14-56-4074	14-56-4075	14-56-4080	14-56-4081	14-56-4082	14-56-4083
	14-56-4084	14-56-4085	14-56-4090	14-56-4091	14-56-4092	14-56-4093	14-56-4094	14-56-4095
	14-56-4100	14-56-4101	14-56-4102	14-56-4103	14-56-4104	14-56-4105	14-56-4110	14-56-4111
	14-56-4112	14-56-4113	14-56-4114-	14-56-4115	14-56-4120	14-56-4121	14-56-4122	14-56-4123
	14-56-4124	14-56-4125	14-56-4130	14-56-4131	14-56-4132	14-56-4133	14-56-4134	14-56-4135
	14-56-4140	14-56-4141	14-56-4142	14-56-4143	14-56-4144	14-56-4145	14-56-4150	14-56-4151
	14-56-4152	14-56-4153	14-56-4154	14-56-4155	14-56-4160	14-56-4161	14-56-4162	14-56-4163
	14-56-4164	14-56-4165	14-56-4170	14-56-4171	14-56-4172	14-56-4173	14-56-4174	14-56-4175
	14-56-4180	14-56-4181	14-56-4182	14-56-4183	14-56-4184	14-56-4185	14-56-4190	14-56-4191
	14-56-4192	14-56-4193	14-56-4194	14-56-4195	14-56-4200	14-56-4201	14-56-4202	14-56-4203
	14-56-4204	14-56-4205	14-56-4210	14-56-4211	14-56-4212	14-56-4213	14-56-4214-	14-56-4215
	14-56-4220	14-56-4221	14-56-4222	14-56-4223	14-56-4224	14-56-4225	14-56-4230	14-56-4231
	14-56-4232	14-56-4233	14-56-4234	14-56-4235	14-56-4240	14-56-4241	14-56-4242	14-56-4243
	14-56-4244	14-56-4245	14-56-4250	14-56-4251	14-56-4252	14-56-4253	14-56-4254	14-56-4255
	14-56-6028	14-56-6029	14-56-6038	14-56-6039	14-56-6048	14-56-6049	14-56-6058	14-56-6059
	14-56-6068	14-56-6069	14-56-6078	14-56-6079	14-56-6088	14-56-6089	14-56-6098	14-56-6099
	14-56-6108	14-56-6109	14-56-6118	14-56-6119	14-56-6128	14-56-6129	14-56-6138	14-56-6139
	14-56-614-8	14-56-614-9	14-56-6158	14-56-6159	14-56-6168	14-56-6169	14-56-6178	14-56-6179
	14-56-6188	14-56-6189	14-56-6198	14-56-6199	14-56-6208	14-56-6209	14-56-6218	14-56-6219
	14-56-6228	14-56-6229	14-56-6238	14-56-6239	14-56-6248	14-56-6249	14-56-6258	14-56-6259
	14-56-7020	14-56-7021	14-56-7022	14-56-7023	14-56-7024	14-56-7025	14-56-7026	14-56-7027
	14-56-7028	14-56-7029	14-56-7030	14-56-7031	14-56-7032	14-56-7033	14-56-7034	14-56-7035
	14-56-7036	14-56-7037	14-56-7038	14-56-7039	14-56-7040	14-56-7041	14-56-7042	14-56-7043
	14-56-7048	14-56-7049	14-56-7044	14-56-7045	14-56-7046	14-56-7047	14-56-7050	14-56-7051
	14-56-7052	14-56-7053	14-56-7054	14-56-7055	14-56-7056	14-56-7057	14-56-7058	14-56-7059
	14-56-7060	14-56-7061	14-56-7062	14-56-7063	14-56-7064	14-56-7065	14-56-7066	14-56-7067
	14-56-7068	14-56-7069	14-56-7070	14-56-7071	14-56-7072	14-56-7073	14-56-7074	14-56-7075
	14-56-7076	14-56-7077	14-56-7078	14-56-7079	14-56-7080	14-56-7081	14-56-7082	14-56-7083
	14-56-7084	14-56-7085	14-56-7086	14-56-7087	14-56-7088	14-56-7089	14-56-7090	14-56-7091
	14-56-7092	14-56-7093	14-56-7094	14-56-7095	14-56-7096	14-56-7097	14-56-7098	14-56-7099
	14-56-7100	14-56-7101	14-56-7102	14-56-7103	14-56-7104	14-56-7105	14-56-7106	14-56-7107
	14-56-7108	14-56-7109	14-56-7110	14-56-7111	14-56-7112	14-56-7113	14-56-7114-	14-56-7115
	14-56-7116	14-56-7117	14-56-7118	14-56-7119	14-56-7120	14-56-7121	14-56-7122	14-56-7123
	14-56-7124	14-56-7125	14-56-7126	14-56-7127	14-56-7128	14-56-7129	14-56-7130	14-56-7131
	14-56-7132	14-56-7133	14-56-7134	14-56-7135	14-56-7136	14-56-7137	14-56-7138	14-56-7139
	14-56-714-0	14-56-714-1	14-56-714-2	14-56-714-3	14-56-714-4	14-56-714-5	14-56-714-6	14-56-714-7
	14-56-714-8	14-56-714-9	14-56-7150	14-56-7151	14-56-7152	14-56-7153	14-56-7154	14-56-7155
	14-56-7156	14-56-7157	14-56-7158	14-56-7159	14-56-7160	14-56-7161	14-56-7162	14-56-7163
	14-56-7164	14-56-7165	14-56-7166	14-56-7167	14-56-7168	14-56-7169	14-56-7170	14-56-7171
	14-56-7172	14-56-7173	14-56-7174	14-56-7175	14-56-7176	14-56-7177	14-56-7178	14-56-7179
	14-56-7180	14-56-7181	14-56-7182	14-56-7183	14-56-7184	14-56-7185	14-56-7186	14-56-7187
	14-56-7188	14-56-7189	14-56-7190	14-56-7191	14-56-7192	14-56-7193	14-56-7194	14-56-7195
	14-56-7196	14-56-7197	14-56-7198	14-56-7199	14-56-7200	14-56-7201	14-56-7202	14-56-7203
	14-56-7204	14-56-7205	14-56-7206	14-56-7207	14-56-7208	14-56-7209	14-56-7210	14-56-7211
14-56-7212	14-56-7213	14-56-7214-	14-56-7215	14-56-7216	14-56-7217	14-56-7218	14-56-7219	
14-56-7220	14-56-7221	14-56-7222	14-56-7223	14-56-7224	14-56-7225	14-56-7226	14-56-7227	
14-56-7228	14-56-7229	14-56-7230	14-56-7231	14-56-7232	14-56-7233	14-56-7234	14-56-7235	

Series No.	Connector Assembly Order No.							
70400	14-56-7236	14-56-7237	14-56-7238	14-56-7239	14-56-7240	14-56-7241	14-56-7242	14-56-7243
	14-56-7244	14-56-7245	14-56-7246	14-56-7247	14-56-7248	14-56-7249	14-56-7250	14-56-7251
	14-56-7252	14-56-7253	14-56-7254	14-56-7255	14-56-7256	14-56-7257	14-56-7258	14-56-7259
	14-56-8020	14-56-8021	14-56-8022	14-56-8023	14-56-8030	14-56-8031	14-56-8032	14-56-8033
	14-56-8040	14-56-8041	14-56-8042	14-56-8043	14-56-8050	14-56-8051	14-56-8052	14-56-8053
	14-56-8060	14-56-8061	14-56-8062	14-56-8063	14-56-8070	14-56-8071	14-56-8072	14-56-8073
	14-56-8080	14-56-8081	14-56-8082	14-56-8083	14-56-8090	14-56-8091	14-56-8092	14-56-8093
	14-56-8100	14-56-8101	14-56-8102	14-56-8103	14-56-8110	14-56-8111	14-56-8112	14-56-8113
	14-56-8120	14-56-8121	14-56-8122	14-56-8123	14-56-8130	14-56-8131	14-56-8132	14-56-8133
	14-56-8140	14-56-8141	14-56-8142	14-56-8143	14-56-8150	14-56-8151	14-56-8152	14-56-8153
	14-56-8160	14-56-8161	14-56-8162	14-56-8163	14-56-8170	14-56-8171	14-56-8172	14-56-8173
	14-56-8180	14-56-8181	14-56-8182	14-56-8183	14-56-8190	14-56-8191	14-56-8192	14-56-8193
	14-56-8200	14-56-8201	14-56-8202	14-56-8203	14-56-8210	14-56-8211	14-56-8212	14-56-8213
	14-56-8220	14-56-8221	14-56-8222	14-56-8223	14-56-8230	14-56-8231	14-56-8232	14-56-8233
	14-56-8240	14-56-8241	14-56-8242	14-56-8243	14-56-8250	14-56-8251	14-56-8252	14-56-8253
	14-56-9000	14-56-9001	14-56-9002	14-56-9003	14-56-9004	14-56-9005	14-56-9006	14-56-9007
	14-56-9008	14-56-9009	14-56-9010	14-56-9011				
	14-60-0021	14-60-0022	14-60-0023	14-60-0024	14-60-0025	14-60-0026	14-60-0027	14-60-0028
	14-60-0029	14-60-0031	14-60-0032	14-60-0033	14-60-0034	14-60-0035	14-60-0036	14-60-0037
	14-60-0038	14-60-0039	14-60-0041	14-60-0042	14-60-0043	14-60-0044	14-60-0045	14-60-0046
	14-60-0047	14-60-0048	14-60-0049	14-60-0051	14-60-0052	14-60-0053	14-60-0054	14-60-0055
	14-60-0056	14-60-0057	14-60-0058	14-60-0059	14-60-0061	14-60-0062	14-60-0063	14-60-0064
	14-60-0065	14-60-0066	14-60-0067	14-60-0068	14-60-0069	14-60-0071	14-60-0072	14-60-0073
	14-60-0074	14-60-0075	14-60-0076	14-60-0077	14-60-0078	14-60-0079	14-60-0081	14-60-0082
	14-60-0083	14-60-0084	14-60-0085	14-60-0086	14-60-0087	14-60-0088	14-60-0089	14-60-0091
	14-60-0092	14-60-0093	14-60-0094	14-60-0095	14-60-0096	14-60-0097	14-60-0098	14-60-0099
	14-60-0101	14-60-0102	14-60-0103	14-60-0104	14-60-0105	14-60-0106	14-60-0107	14-60-0108
	14-60-0109	14-60-0111	14-60-0112	14-60-0113	14-60-0114	14-60-0115	14-60-0116	14-60-0117
	14-60-0118	14-60-0119	14-60-0121	14-60-0122	14-60-0123	14-60-0124	14-60-0125	14-60-0126
	14-60-0127	14-60-0128	14-60-0129	14-60-0131	14-60-0132	14-60-0133	14-60-0134	14-60-0135
	14-60-0136	14-60-0137	14-60-0138	14-60-0139	14-60-0141	14-60-0142	14-60-0143	14-60-0144
	14-60-0145	14-60-0146	14-60-0147	14-60-0148	14-60-0149	14-60-0151	14-60-0152	14-60-0153
	14-60-0154	14-60-0155	14-60-0156	14-60-0157	14-60-0158	14-60-0159	14-60-0161	14-60-0162
	14-60-0163	14-60-0164	14-60-0165	14-60-0166	14-60-0167	14-60-0168	14-60-0169	14-60-0171
	14-60-0172	14-60-0173	14-60-0174	14-60-0175	14-60-0176	14-60-0177	14-60-0178	14-60-0179
	14-60-0181	14-60-0182	14-60-0183	14-60-0184	14-60-0185	14-60-0186	14-60-0187	14-60-0188
	14-60-0189	14-60-0191	14-60-0192	14-60-0193	14-60-0194	14-60-0195	14-60-0196	14-60-0197
	14-60-0198	14-60-0199	14-60-0201	14-60-0202	14-60-0203	14-60-0204	14-60-0205	14-60-0206
	14-60-0207	14-60-0208	14-60-0209	14-60-0211	14-60-0212	14-60-0213	14-60-0214	14-60-0215
	14-60-0216	14-60-0217	14-60-0218	14-60-0219	14-60-0221	14-60-0222	14-60-0223	14-60-0224
	14-60-0225	14-60-0226	14-60-0227	14-60-0228	14-60-0229	14-60-0231	14-60-0232	14-60-0233
	14-60-0234	14-60-0235	14-60-0236	14-60-0237	14-60-0238	14-60-0239	14-60-0241	14-60-0242
	14-60-0243	14-60-0244	14-60-0245	14-60-0246	14-60-0247	14-60-0248	14-60-0249	14-60-0251
	14-60-0252	14-60-0253	14-60-0254	14-60-0255	14-60-0256	14-60-0257	14-60-0258	14-60-0259
	14-60-1020	14-60-1021	14-60-1022	14-60-1023	14-60-1026	14-60-1027	14-60-1028	14-60-1029
	14-60-1030	14-60-1031	14-60-1032	14-60-1033	14-60-1036	14-60-1037	14-60-1038	14-60-1039
	14-60-1040	14-60-1041	14-60-1042	14-60-1043	14-60-1046	14-60-1047	14-60-1048	14-60-1049
	14-60-1050	14-60-1051	14-60-1052	14-60-1053	14-60-1056	14-60-1057	14-60-1058	14-60-1059
	14-60-1060	14-60-1061	14-60-1062	14-60-1063	14-60-1066	14-60-1067	14-60-1068	14-60-1069
	14-60-1070	14-60-1071	14-60-1072	14-60-1073	14-60-1076	14-60-1077	14-60-1078	14-60-1079
	14-60-1080	14-60-1081	14-60-1082	14-60-1083	14-60-1086	14-60-1087	14-60-1088	14-60-1089
	14-60-1090	14-60-1091	14-60-1092	14-60-1093	14-60-1096	14-60-1097	14-60-1098	14-60-1099
	14-60-1100	14-60-1101	14-60-1102	14-60-1103	14-60-1106	14-60-1107	14-60-1108	14-60-1109
	14-60-1110	14-60-1111	14-60-1112	14-60-1113	14-60-1116	14-60-1117	14-60-1118	14-60-1119
	14-60-1120	14-60-1121	14-60-1122	14-60-1123	14-60-1126	14-60-1127	14-60-1128	14-60-1129

Series No.	Connector Assembly Order No.							
70400	14-60-1130	14-60-1131	14-60-1132	14-60-1133	14-60-1136	14-60-1137	14-60-1138	14-60-1139
	14-60-1140	14-60-1141	14-60-1142	14-60-1143	14-60-1146	14-60-1147	14-60-1148	14-60-1149
	14-60-1150	14-60-1151	14-60-1152	14-60-1153	14-60-1156	14-60-1157	14-60-1158	14-60-1159
	14-60-1160	14-60-1161	14-60-1162	14-60-1163	14-60-1166	14-60-1167	14-60-1168	14-60-1169
	14-60-1170	14-60-1171	14-60-1172	14-60-1173	14-60-1176	14-60-1177	14-60-1178	14-60-1179
	14-60-1180	14-60-1181	14-60-1182	14-60-1183	14-60-1186	14-60-1187	14-60-1188	14-60-1189
	14-60-1190	14-60-1191	14-60-1192	14-60-1193	14-60-1196	14-60-1197	14-60-1198	14-60-1199
	14-60-1200	14-60-1201	14-60-1202	14-60-1203	14-60-1206	14-60-1207	14-60-1208	14-60-1209
	14-60-1210	14-60-1211	14-60-1212	14-60-1213	14-60-1216	14-60-1217	14-60-1218	14-60-1219
	14-60-1220	14-60-1221	14-60-1222	14-60-1223	14-60-1226	14-60-1227	14-60-1228	14-60-1229
	14-60-1230	14-60-1231	14-60-1232	14-60-1233	14-60-1236	14-60-1237	14-60-1238	14-60-1239
	14-60-1240	14-60-1241	14-60-1242	14-60-1243	14-60-1246	14-60-1247	14-60-1248	14-60-1249
	14-60-1250	14-60-1251	14-60-1252	14-60-1253	14-60-1256	14-60-1257	14-60-1258	14-60-1259
	14-60-2020	14-60-2021	14-60-2022	14-60-2030	14-60-2031	14-60-2032	14-60-2040	14-60-2041
	14-60-2042	14-60-2044	14-60-2050	14-60-2051	14-60-2052	14-60-2053	14-60-2060	14-60-2061
	14-60-2062	14-60-2070	14-60-2071	14-60-2072	14-60-2080	14-60-2081	14-60-2082	14-60-2083
	14-60-2084	14-60-2090	14-60-2091	14-60-2092	14-60-2100	14-60-2101	14-60-2102	14-60-2110
	14-60-2111	14-60-2112	14-60-2120	14-60-2121	14-60-2122	14-60-2130	14-60-2131	14-60-2132
	14-60-2140	14-60-2141	14-60-2142	14-60-2150	14-60-2151	14-60-2152	14-60-2160	14-60-2161
	14-60-2162	14-60-2170	14-60-2171	14-60-2172	14-60-2180	14-60-2181	14-60-2182	14-60-2190
	14-60-2191	14-60-2192	14-60-2200	14-60-2201	14-60-1200	14-60-1201	14-60-1202	14-60-1203
	14-60-1206	14-60-1207	14-60-1208	14-60-1209	14-60-1210	14-60-1211	14-60-1212	14-60-1213
	14-60-1216	14-60-1217	14-60-1218	14-60-1219	14-60-1220	14-60-1221	14-60-1222	14-60-1223
	14-60-1226	14-60-1227	14-60-1228	14-60-1229	14-60-1230	14-60-1231	14-60-1232	14-60-1233
	14-60-1236	14-60-1237	14-60-1238	14-60-1239	14-60-1240	14-60-1241	14-60-1242	14-60-1243
	14-60-1246	14-60-1247	14-60-1248	14-60-1249	14-60-1250	14-60-1251	14-60-1252	14-60-1253
	14-60-1256	14-60-1257	14-60-1258	14-60-1259	14-60-2202	14-60-2210	14-60-2211	14-60-2212
	14-60-2220	14-60-2221	14-60-2222	14-60-2230	14-60-2231	14-60-2232	14-60-2240	14-60-2241
	14-60-2242	14-60-2250	14-60-2251	14-60-2252	14-60-4101	14-60-5023	14-60-5024	14-60-5033
	14-60-5034	14-60-5043	14-60-5044	14-60-5053	14-60-5054	14-60-5063	14-60-5064	14-60-5073
	14-60-5074	14-60-5083	14-60-5084	14-60-5093	14-60-5094	14-60-5103	14-60-5104	14-60-5113
	14-60-5114	14-60-5123	14-60-5124	14-60-5133	14-60-5134	14-60-5143	14-60-5144	14-60-5153
	14-60-5154	14-60-5160	14-60-5161	14-60-5162	14-60-5163	14-60-5164	14-60-5173	14-60-5174
	14-60-5183	14-60-5184	14-60-5193	14-60-5194	14-60-5203	14-60-5204	14-60-5213	14-60-5214
	14-60-5223	14-60-5224	14-60-5233	14-60-5234	14-60-5243	14-60-5244	14-60-5253	14-60-5254
	22-56-2021	22-56-2023	22-56-2024	22-56-2031	22-56-2033	22-56-2034	22-56-2041	22-56-2043
	22-56-2044	22-56-2051	22-56-2053	22-56-2054	22-56-2061	22-56-2063	22-56-2064	22-56-2071
	22-56-2073	22-56-2074	22-56-2081	22-56-2083	22-56-2084	22-56-2091	22-56-2093	22-56-2094
	22-56-2101	22-56-2103	22-56-2104	22-56-2111	22-56-2112	22-56-2113	22-56-2114	22-56-2121
	22-56-2123	22-56-2124	22-56-2131	22-56-2133	22-56-2134	22-56-2141	22-56-2143	22-56-2144
	22-56-2151	22-56-2153	22-56-2154	22-56-2161	22-56-2163	22-56-2164	22-56-2171	22-56-2173
	22-56-2174	22-56-2181	22-56-2183	22-56-2184	22-56-2191	22-56-2193	22-56-2194	22-56-2201
	22-56-2203	22-56-2204	22-56-2211	22-56-2213	22-56-2214	22-56-2221	22-56-2223	22-56-2224
	22-56-2231	22-56-2233	22-56-2234	22-56-2241	22-56-2243	22-56-2244	22-56-2251	22-56-2253
	22-56-2254	22-56-3024	22-56-3025	22-56-3026	22-56-3027	22-56-3034	22-56-3035	22-56-3036
	22-56-3037	22-56-3044	22-56-3045	22-56-3046	22-56-3047	22-56-3054	22-56-3055	22-56-3056
	22-56-3057	22-56-3064	22-56-3065	22-56-3066	22-56-3067	22-56-3074	22-56-3075	22-56-3076
	22-56-3077	22-56-3084	22-56-3085	22-56-3086	22-56-3087	22-56-3094	22-56-3095	22-56-3096
	22-56-3097	22-56-3104	22-56-3105	22-56-3106	22-56-3107	22-56-3114	22-56-3115	22-56-3116
	22-56-3117	22-56-3124	22-56-3125	22-56-3126	22-56-3127	22-56-3134	22-56-3135	22-56-3136
	22-56-3137	22-56-3144	22-56-3145	22-56-3146	22-56-3147	22-56-3154	22-56-3155	22-56-3156
	22-56-3157	22-56-3164	22-56-3165	22-56-3166	22-56-3167	22-56-3174	22-56-3175	22-56-3176
	22-56-3177	22-56-3184	22-56-3185	22-56-3186	22-56-3187	22-56-3194	22-56-3195	22-56-3196
	22-56-3197	22-56-3204	22-56-3205	22-56-3206	22-56-3207	22-56-3214	22-56-3215	22-56-3216
	22-56-3217	22-56-3224	22-56-3225	22-56-3226	22-56-3227	22-56-3234	22-56-3235	22-56-3236

Series No.	Connector Assembly Order No.								
70400	22-56-3237	22-56-3244	22-56-3245	22-56-3246	22-56-3247	22-56-3254	22-56-3255	22-56-3256	
	22-56-3257								
	22-60-0021	22-60-0023	22-60-0024	22-60-0027	22-60-0028	22-60-0029	22-60-0031	22-60-0033	
	22-60-0034	22-60-0037	22-60-0038	22-60-0039	22-60-0041	22-60-0043	22-60-0044	22-60-0047	
	22-60-0048	22-60-0049	22-60-0051	22-60-0053	22-60-0054	22-60-0057	22-60-0058	22-60-0059	
	22-60-0061	22-60-0063	22-60-0064	22-60-0067	22-60-0068	22-60-0069	22-60-0071	22-60-0073	
	22-60-0074	22-60-0077	22-60-0078	22-60-0079	22-60-0081	22-60-0083	22-60-0084	22-60-0087	
	22-60-0088	22-60-0089	22-60-0091	22-60-0093	22-60-0094	22-60-0097	22-60-0098	22-60-0099	
	22-60-0101	22-60-0103	22-60-0104	22-60-0107	22-60-0108	22-60-0109	22-60-0111	22-60-0113	
	22-60-0114	22-60-0117	22-60-0118	22-60-0119	22-60-0121	22-60-0123	22-60-0124	22-60-0127	
	22-60-0128	22-60-0129	22-60-0131	22-60-0133	22-60-0134	22-60-0137	22-60-0138	22-60-0139	
	22-60-0141	22-60-0143	22-60-0144	22-60-0147	22-60-0148	22-60-0149	22-60-0151	22-60-0153	
	22-60-0154	22-60-0157	22-60-0158	22-60-0159	22-60-0161	22-60-0163	22-60-0164	22-60-0167	
	22-60-0168	22-60-0169	22-60-0171	22-60-0173	22-60-0174	22-60-0177	22-60-0178	22-60-0179	
	22-60-0181	22-60-0183	22-60-0184	22-60-0187	22-60-0188	22-60-0189	22-60-0191	22-60-0193	
	22-60-0194	22-60-0197	22-60-0198	22-60-0199	22-60-0201	22-60-0203	22-60-0204	22-60-0207	
	22-60-0208	22-60-0209	22-60-0211	22-60-0213	22-60-0214	22-60-0217	22-60-0218	22-60-0219	
	22-60-0221	22-60-0223	22-60-0224	22-60-0227	22-60-0228	22-60-0229	22-60-0231	22-60-0233	
	22-60-0234	22-60-0237	22-60-0238	22-60-0239	22-60-0241	22-60-0243	22-60-0244	22-60-0247	
	22-60-0248	22-60-0249	22-60-0251	22-60-0253	22-60-0254	22-60-0257	22-60-0258	22-60-0259	
	22-60-1020	22-60-1030	22-60-1040	22-60-1050	22-60-1060	22-60-1070	22-60-1080	22-60-1090	
	22-60-1100	22-60-1110	22-60-1120	22-60-1130	22-60-1140	22-60-1150	22-60-1160	22-60-1170	
	22-60-1180	22-60-1190	22-60-1200	22-60-1210	22-60-1220	22-60-1230	22-60-1240	22-60-1250	
	70400-2022	70400-2026	70400-2032	70400-2042	70400-2049	70400-2052	70400-2062	70400-2072	
	70400-2082	70400-2089	70400-2092	70400-2102	70400-2112	70400-2122	70400-2132	70400-2141	
	70400-2142	70400-2152	70400-2162	70400-2172	70400-2182	70400-2192	70400-2202	70400-2212	
	70400-2222	70400-2232	70400-2242	70400-2252	70400-3024	70400-3034	70400-3044	70400-3054	
	70400-3064	70400-3074	70400-3084	70400-3094	70400-3104	70400-3114	70400-3124	70400-3134	
	70400-3144	70400-3154	70400-3164	70400-3174	70400-3184	70400-3194	70400-3204	70400-3214	
	70400-3224	70400-3234	70400-3244	70400-3254	70400-5163	70400-5203	70400-5243	70400-7032	
	70400-8052								
	70475	14-44-1002	14-44-1003	14-44-1004	14-44-1005	14-44-1006	14-44-1007	14-44-1008	14-44-1009
		14-44-1010	14-44-1011	14-44-1012	14-44-1013	14-44-1014	14-44-1015	14-44-1016	14-44-1017
14-44-1018		14-44-1019	14-44-1020	14-44-1021	14-44-1022	14-44-1023	14-44-1024	14-44-1025	
14-44-1202		14-44-1203	14-44-1204	14-44-1205	14-44-1206	14-44-1207	14-44-1208	14-44-1209	
14-44-1210		14-44-1211	14-44-1212	14-44-1213	14-44-1214	14-44-1215	14-44-1216	14-44-1217	
14-44-1218		14-44-1219	14-44-1220	14-44-1221	14-44-1222	14-44-1223	14-44-1224	14-44-1225	
14-44-1402		14-44-1403	14-44-1404	14-44-1405	14-44-1406	14-44-1407	14-44-1408	14-44-1409	
14-44-1410		14-44-1411	14-44-1412	14-44-1413	14-44-1414	14-44-1415	14-44-1416	14-44-1417	
14-44-1418		14-44-1419	14-44-1420	14-44-1421	14-44-1422	14-44-1423	14-44-1424	14-44-1425	
14-44-1602		14-44-1603	14-44-1604	14-44-1605	14-44-1606	14-44-1607	14-44-1608	14-44-1609	
14-44-1610		14-44-1611	14-44-1612	14-44-1613	14-44-1614	14-44-1615	14-44-1616	14-44-1617	
14-44-1618		14-44-1619	14-44-1620	14-44-1621	14-44-1622	14-44-1623	14-44-1624	14-44-1625	
14-44-1802		14-44-1803	14-44-1804	14-44-1805	14-44-1806	14-44-1807	14-44-1808	14-44-1809	
14-44-1810		14-44-1811	14-44-1812	14-44-1813	14-44-1814	14-44-1815	14-44-1816	14-44-1817	
14-44-1818		14-44-1819	14-44-1820	14-44-1821	14-44-1822	14-44-1823	14-44-1824	14-44-1825	
14-44-2102		14-44-2103	14-44-2104	14-44-2105	14-44-2106	14-44-2107	14-44-2108	14-44-2109	
14-44-2110		14-44-2111	14-44-2112	14-44-2113	14-44-2114	14-44-2115	14-44-2116	14-44-2117	
14-44-2118		14-44-2119	14-44-2120	14-44-2121	14-44-2122	14-44-2123	14-44-2124	14-44-2125	
14-44-2302		14-44-2303	14-44-2304	14-44-2305	14-44-2306	14-44-2307	14-44-2308	14-44-2309	
14-44-2310		14-44-2311	14-44-2312	14-44-2313	14-44-2314	14-44-2315	14-44-2316	14-44-2317	
14-44-2318		14-44-2319	14-44-2320	14-44-2321	14-44-2322	14-44-2323	14-44-2324	14-44-2325	
14-44-2502		14-44-2503	14-44-2504	14-44-2505	14-44-2506	14-44-2507	14-44-2508	14-44-2509	
14-44-2510		14-44-2511	14-44-2512	14-44-2513	14-44-2514	14-44-2515	14-44-2516	14-44-2517	
14-44-2518		14-44-2519	14-44-2520	14-44-2521	14-44-2522	14-44-2523	14-44-2524	14-44-2525	

Series No.	Connector Assembly Order No.							
70475	14-44-2702	14-44-2703	14-44-2704	14-44-2705	14-44-2706	14-44-2707	14-44-2708	14-44-2709
	14-44-2710	14-44-2711	14-44-2712	14-44-2713	14-44-2714	14-44-2715	14-44-2716	14-44-2717
	14-44-2718	14-44-2719	14-44-2720	14-44-2721	14-44-2722	14-44-2723	14-44-2724	14-44-2725
	14-44-2902	14-44-2903	14-44-2904	14-44-2905	14-44-2906	14-44-2907	14-44-2908	14-44-2909
	14-44-2910	14-44-2911	14-44-2912	14-44-2913	14-44-2914	14-44-2915	14-44-2916	14-44-2917
	14-44-2918	14-44-2919	14-44-2920	14-44-2921	14-44-2922	14-44-2923	14-44-2924	14-44-2925
	14-44-3902	14-44-3903	14-44-3904	14-44-3905	14-44-3906	14-44-3907	14-44-3908	14-44-3909
	14-44-3910	14-44-3911	14-44-3912	14-44-3913	14-44-3914	14-44-3915	14-44-3916	14-44-3917
	14-44-3918	14-44-3919	14-44-3920	14-44-3921	14-44-3922	14-44-3923	14-44-3924	14-44-3925
	14-44-4902	14-44-4903	14-44-4904	14-44-4905	14-44-4906	14-44-4907	14-44-4908	14-44-4909
	14-44-4910	14-44-4911	14-44-4912	14-44-4913	14-44-4914	14-44-4915	14-44-4916	14-44-4917
	14-44-4918	14-44-4919	14-44-4920	14-44-4921	14-44-4922	14-44-4923	14-44-4924	14-44-4925
	14-44-5202	14-44-5203	14-44-5204	14-44-5205	14-44-5206	14-44-5207	14-44-5208	14-44-5209
	14-44-5210	14-44-5211	14-44-5212	14-44-5213	14-44-5214	14-44-5215	14-44-5216	14-44-5217
	14-44-5218	14-44-5219	14-44-5220	14-44-5221	14-44-5222	14-44-5223	14-44-5224	14-44-5225
	14-44-5302	14-44-5303	14-44-5304	14-44-5305	14-44-5306	14-44-5307	14-44-5308	14-44-5309
	14-44-5310	14-44-5311	14-44-5312	14-44-5313	14-44-5314	14-44-5315	14-44-5316	14-44-5317
	14-44-5318	14-44-5319	14-44-5320	14-44-5321	14-44-5322	14-44-5323	14-44-5324	14-44-5325
	14-44-5402	14-44-5403	14-44-5404	14-44-5405	14-44-5406	14-44-5407	14-44-5408	14-44-5409
	14-44-5410	14-44-5411	14-44-5412	14-44-5413	14-44-5414	14-44-5415	14-44-5416	14-44-5417
	14-44-5418	14-44-5419	14-44-5420	14-44-5421	14-44-5422	14-44-5423	14-44-5424	14-44-5425
	14-44-5502	14-44-5503	14-44-5504	14-44-5505	14-44-5506	14-44-5507	14-44-5508	14-44-5509
	14-44-5510	14-44-5511	14-44-5512	14-44-5513	14-44-5514	14-44-5515	14-44-5516	14-44-5517
	14-44-5518	14-44-5519	14-44-5520	14-44-5521	14-44-5522	14-44-5523	14-44-5524	14-44-5525
	70475-1202	70475-1203	70475-1204	70475-1205	70475-1206	70475-1207	70475-1208	70475-1209
	70475-1210	70475-1211	70475-1212	70475-1213	70475-1214	70475-1215	70475-1216	70475-1217
	70475-1218	70475-1219	70475-1220	70475-1221	70475-1222	70475-1223	70475-1224	70475-1225

Visit our Web site at <http://www.molex.com>