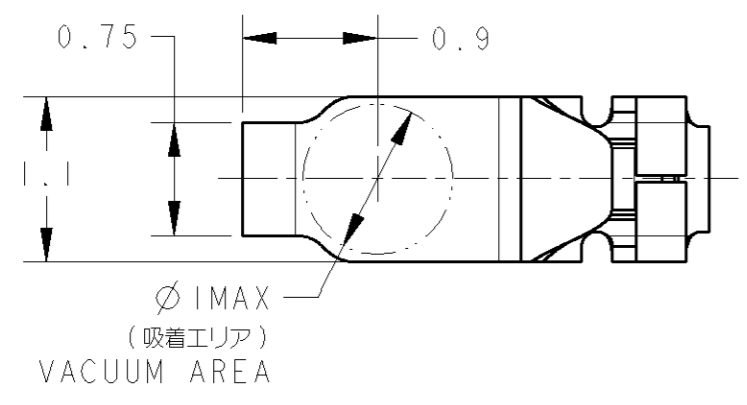
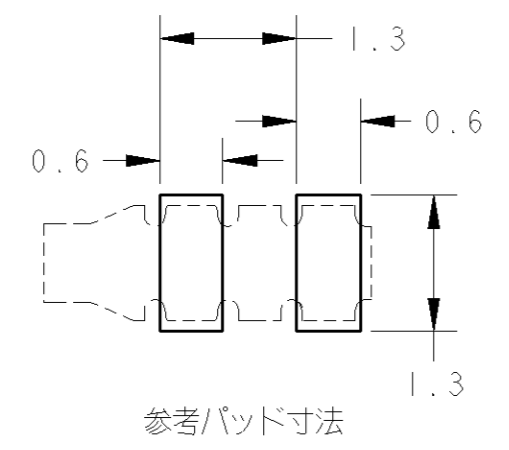
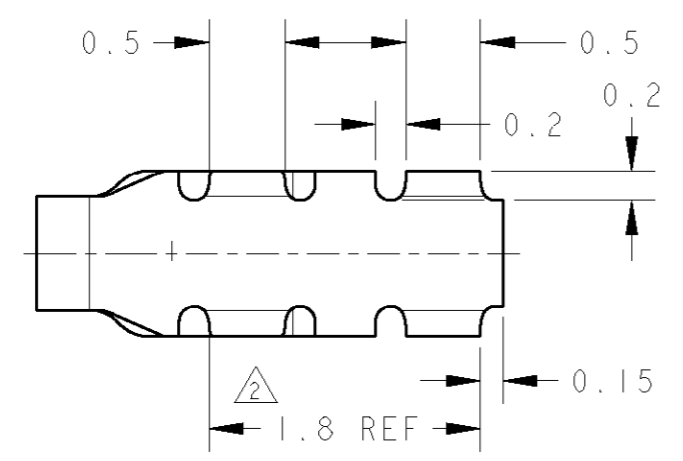
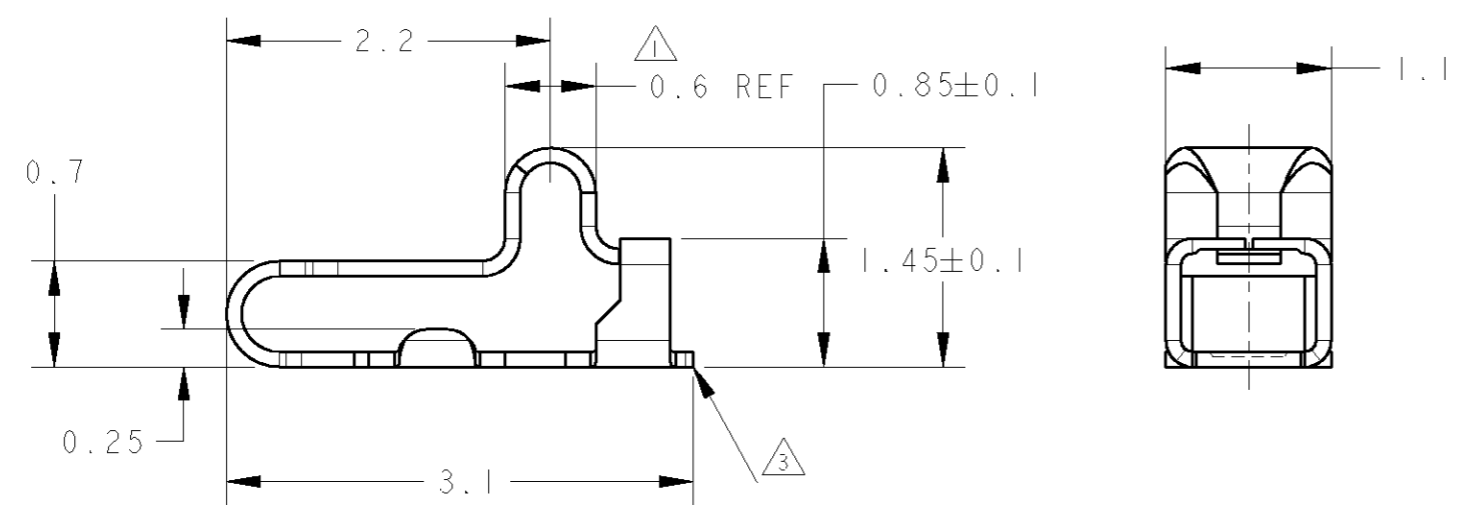


THIS DRAWING IS UNPUBLISHED. RELEASED FOR PUBLICATION 20
 © COPYRIGHT 20 BY TYCO ELECTRONICS CORPORATION. ALL RIGHTS RESERVED.

LOC	DIST	REVISIONS					
		P	LTR	DESCRIPTION	DATE	DWN	APVD
J	-	0		RELEASED EC: FJ00-1501-01	23AUG2001	KT	KK
		A		REVISED FJ00-0543-02	11MAR2002	KT	KK



-1: 本図
 -1: AS SHOWN

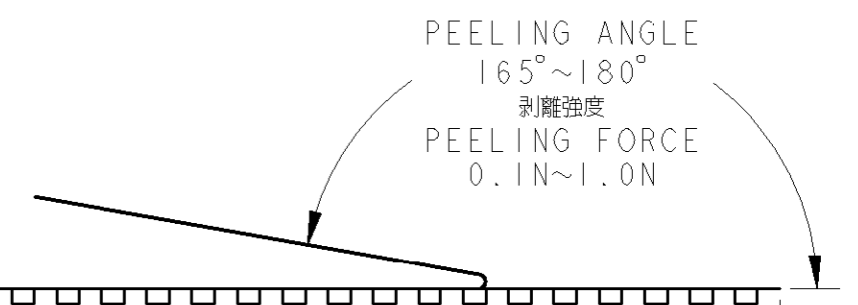
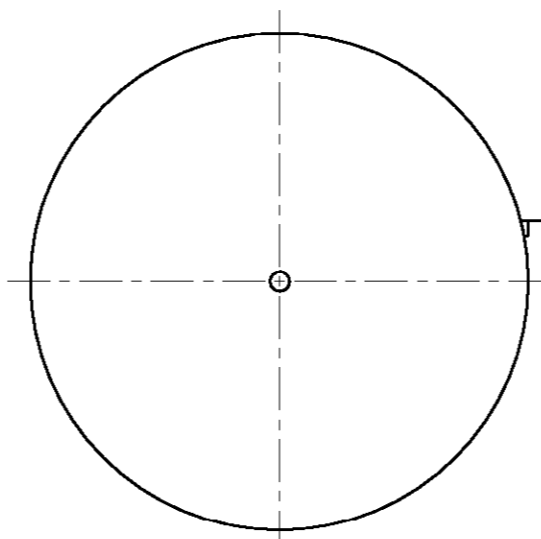
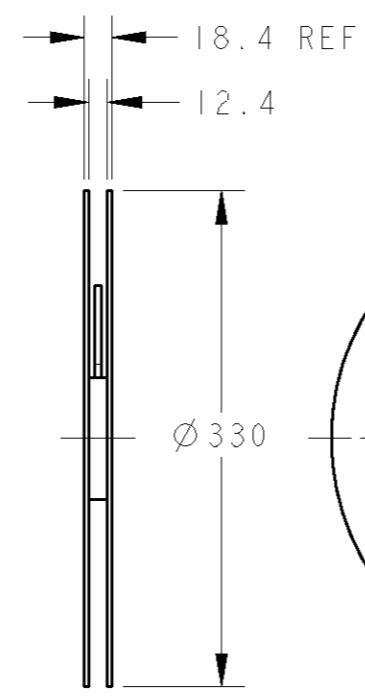


メッキ仕様 (材料メッキ)
 Ni UNDER PLATING: 0.8μm MIN
 ① CONTACT POINT; Au 0.25~0.50μm
 ② SOLDERING AREA; Au 0.05μm MIN
 ③ カットバリ: 0.05MAX,
 その他全周バリ: 0.03MAX
 FINISH (PLATED MATERIAL)
 Ni UNDER PLATING: 0.8μm MIN
 ① CONTACT POINT; Au 0.25~0.50μm
 ② SOLDERING AREA; Au 0.05μm MIN
 ③ CUTTING BURR: 0.05MAX,
 CIRCUMFERENCE BURRS: 0.03MAX

THIS DRAWING IS A CONTROLLED DOCUMENT FOR TYCO ELECTRONICS CORPORATION IT IS SUBJECT TO CHANGE AND THE CONTROLLING ENGINEERING ORGANIZATION SHOULD BE CONTACTED FOR THE LATEST REVISION.		DWN K. TANAKA 29JUL2001	Tyco Electronics AMP K.K. Kawasaki, Japan	
DIMENSIONS: mm		CHK K. KODAIRA 23AUG2001		
TOLERANCES UNLESS OTHERWISE SPECIFIED:		APVD K. KODAIRA 23AUG2001	NAME SHIELD FINGER 1511	
0 PLC ±0.2 1 PLC ±0.2 2 PLC ±0.2 3 PLC ±0.2 4 PLC ±0.2 ANGLES ±2		PRODUCT SPEC 108-5785	RESTRICTED TO	
MATERIAL -		APPLICATION SPEC -	SIZE A3	CAGE CODE 00779
FINISH SEE NOTE		WEIGHT -	DRAWING NO C=1565158	
CUSTOMER DRAWING			SCALE 20:1	SHEET 1 OF 2

THIS DRAWING IS UNPUBLISHED. RELEASED FOR PUBLICATION 20
 © COPYRIGHT 20 BY TYCO ELECTRONICS CORPORATION. ALL RIGHTS RESERVED.

LOC	DIST	REVISIONS			
P	LTR	DESCRIPTION	DATE	DWN	APVD
J	-	SEE SHEET 1	-	-	-

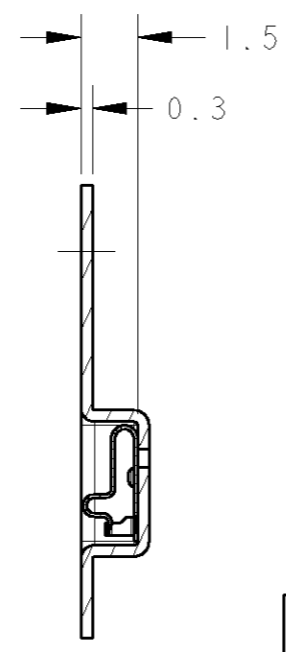
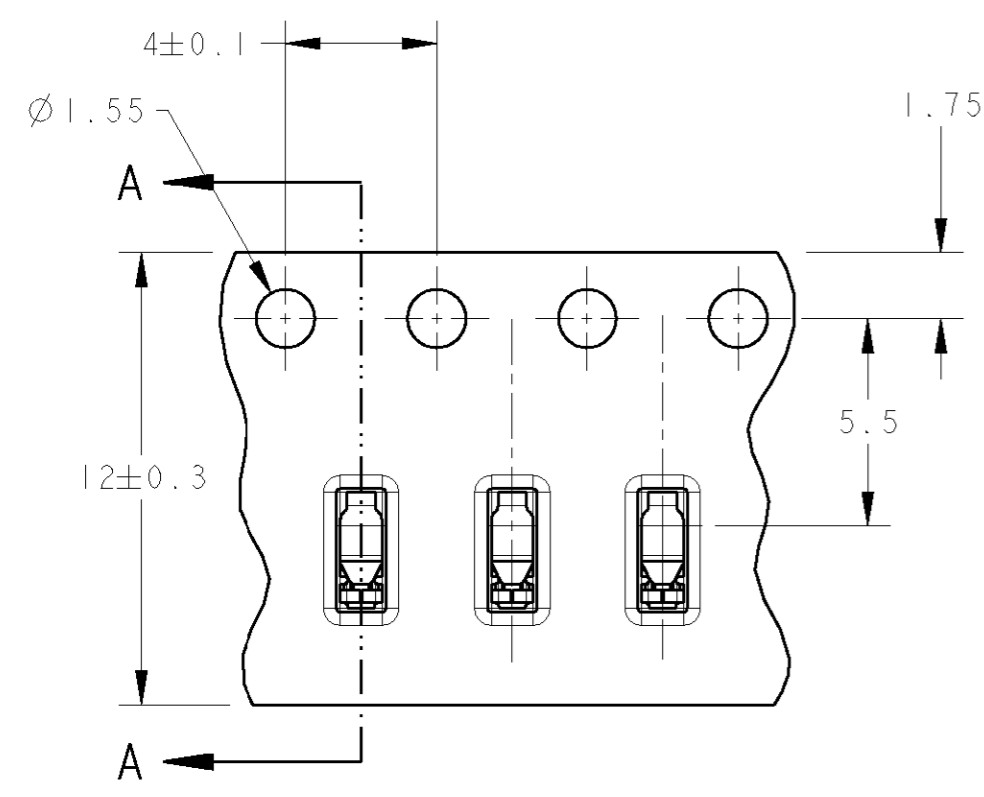


製品装填部
WITH PRODUCT CHARGE
5,000EA/REEL

トレーラ部
160mmMIN
WITHOUT CHARGE

300MIN
リーダ部 COVER TAPE
キャリアテープ空部: 100mm以上
WITHOUT CHARGE

→ DIRECTION OFF TOP OF REEL



断面 A-A

THIS DRAWING IS A CONTROLLED DOCUMENT FOR TYCO ELECTRONICS CORPORATION
 IT IS SUBJECT TO CHANGE AND THE CONTROLLING ENGINEERING ORGANIZATION
 SHOULD BE CONTACTED FOR THE LATEST REVISION.

DIMENSIONS: mm		TOLERANCES UNLESS OTHERWISE SPECIFIED:	
	0 PLC	±0.2	
	1 PLC	±0.2	
	2 PLC	±0.2	
	3 PLC	±0.2	
	4 PLC	±0.2	
	ANGLES	±2	
MATERIAL	FINISH	-	

DWN	SEE SHEET 1
CHK	
APVD	
PRODUCT SPEC	-
APPLICATION SPEC	-
WEIGHT	-
CUSTOMER DRAWING	

tyco Electronics		Tyco Electronics AMP K.K. Kawasaki, Japan	
NAME SHIELD FINGER 1511			
SIZE	CAGE CODE	DRAWING NO	RESTRICTED TO
A3	00779	C-1565158	-
SCALE 20:1		SHEET 2 OF 2	REV A