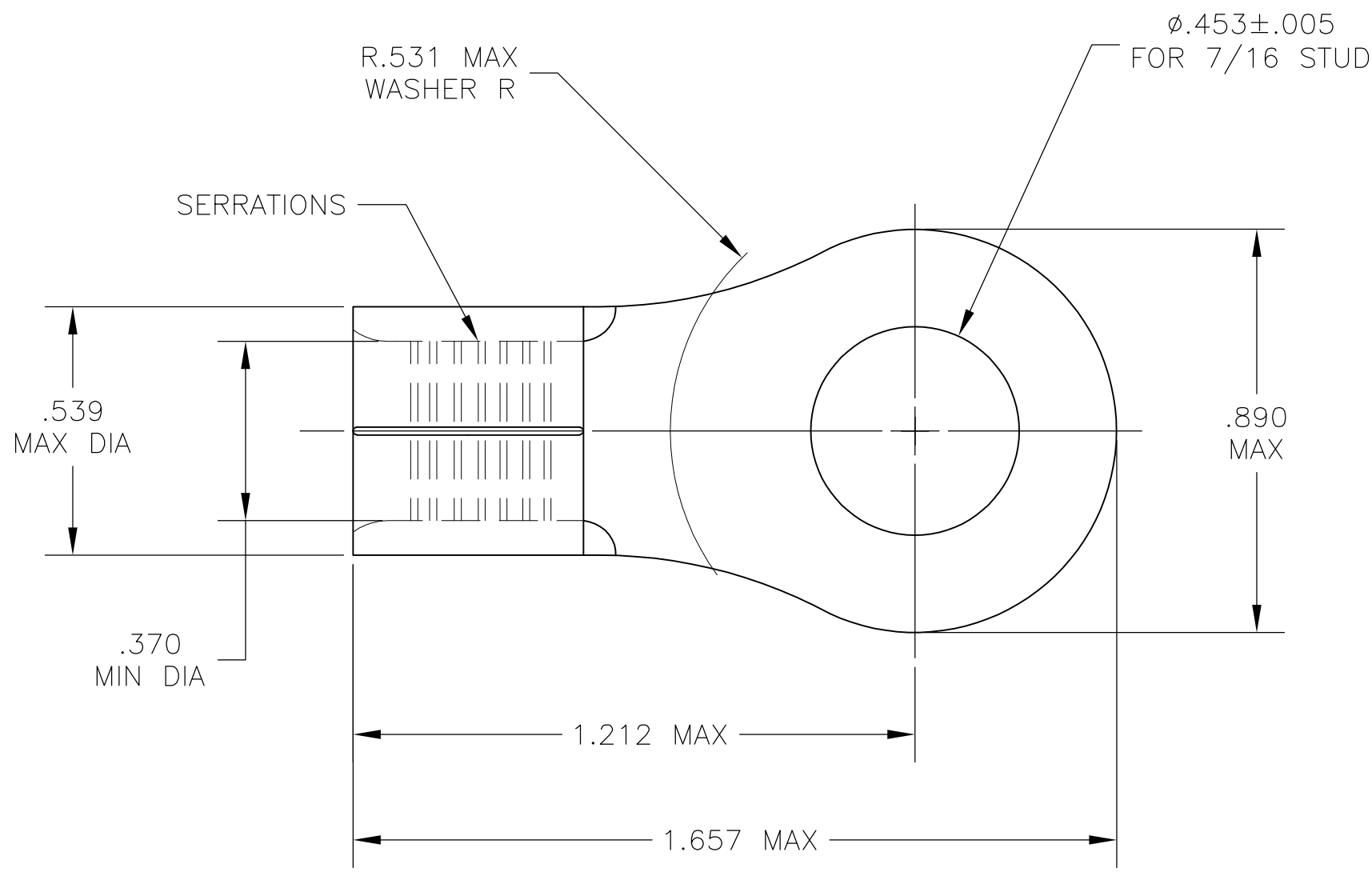


THIS DRAWING IS UNPUBLISHED. RELEASED FOR PUBLICATION
 © COPYRIGHT BY TYCO ELECTRONICS CORPORATION. ALL RIGHTS RESERVED.

LOC	DIST	REVISIONS					
G	14	P	LTR	DESCRIPTION	DATE	DWN	APVD
			C	REVISED PER ECR-10-012076	10JUN10	HMR	TM



- 1 TONGUE THK IS $.070 \pm .003$
- 2 COPPER PER ASTM B152, ANNEALED
- 3 TIN PLATE $0.00254 [0.000100]$ MIN EXT THK PER ASTM B545
- 4 GOLD PLATE $0.00127 [0.000050]$ MIN EXT THK PER ASTM B488 TYPE 1 OVER NICKEL PLATE $0.00127 [0.000050]$ MIN EXT THK PER QQ-N-290
- 5 MEETS MS20659-148, CLASS 2
- 6 NICKEL PLATE $0.00762 [0.000300]$ MIN EXT THK PER QQ-N-290
- 7 26.7-42.4 sq-mm [52,600-83,700] CIR MILS, SOLID OR STRANDED
- 8 UL LISTED, FILE E13288
- 9 CSA CERTIFIED, FILE LR7189
- 10 PRELIMINARY - NOT FOR PRODUCTION

-	260°C MAX	50	LOOSE PIECE	4	10 2-320741-1
-	343°C MAX	50	LOOSE PIECE	6	320741-1
5 8 9	170°C MAX	50	LOOSE PIECE	3	320741-0
APPROVALS	TEMPERATURE	QTY	PACKAGING TYPE	FINISH	PART NO

THIS DRAWING IS A CONTROLLED DOCUMENT.		DWN jr_ruth 03OCT03	Tyco Electronics Corporation Harrisburg, PA 17105-3608		
DIMENSIONS: INCHES		CHK MJ SPICER 03OCT03	NAME TERMINAL, SOLISTRAND, RING TONGUE, WIRE SIZE : #2		
TOLERANCES UNLESS OTHERWISE SPECIFIED:		APVD MJ SPICER 03OCT03	PRODUCT SPEC		
0 PLC ± - 1 PLC ± - 2 PLC ± - 3 PLC ± .008 4 PLC ± - ANGLES ± 5°		APPLICATION SPEC		RESTRICTED TO	
MATERIAL	FINISH	WEIGHT	SIZE	CAGE CODE	DRAWING NO
2	SEE TABLE	-	A3	00779	C-320741
CUSTOMER DRAWING			SCALE	SHEET	REV
			3:1	1 OF 1	C