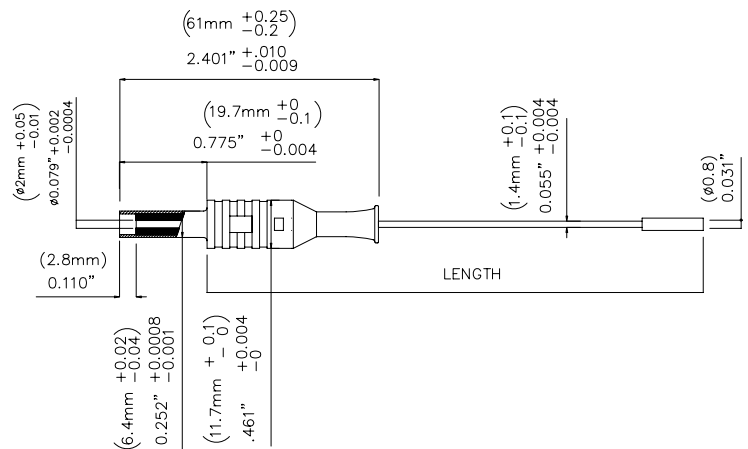


Models 72904
Clip lead for Micro SMD Grabber



**Attach your Micro SMD
Grabber to 2mm test leads**

Features

- Clip lead for easy attachment of Micro SMD Grabber (72906) to test leads with 2mm plugs.
- 0.8mm female/2 mm female

Materials

- Connector Body is Nickel plated Brass.
- Connector insulation is Polypropylene
- 0.8mm Socket is Gold over Nickel plated Brass.
- Insulation of 0.8mm is Elastomere
- Wire is Silicone.

Ordering Information

Model: 72904-Color
Available Colors: Black (-0), Red (-2)

Specifications

| | |
|----------------|-----------------|
| Max Current | Max. 2A |
| Max Voltage | 33 V AC/70 V DC |
| Temperature | -20° C + 80° C |
| Max Resistance | Less than 8 mΩ |

Rating: *hands free testing* in controlled environment: 70Vrms max. For CE compliance: Not intended for hand-held use at voltages above 33Vrms/70Vdc

USA: Sales: 800-490-2361 Technical Support: 800-241-2060 Fax: 888-403-3360

Europe: 31-(0) 40 2675 150 International: 425-446-5500

e-mail: technicalsupport@pomonatest.com

Where to Buy: www.pomonaelectronics.com

All dimensions are in inches. Tolerances (except noted): .xx = ±.02" (.51 mm), .xxx = ±.005" (.127 mm). All specifications are to the latest revisions. Specifications are subject to change without notice. Registered trademarks are the property of their respective companies.