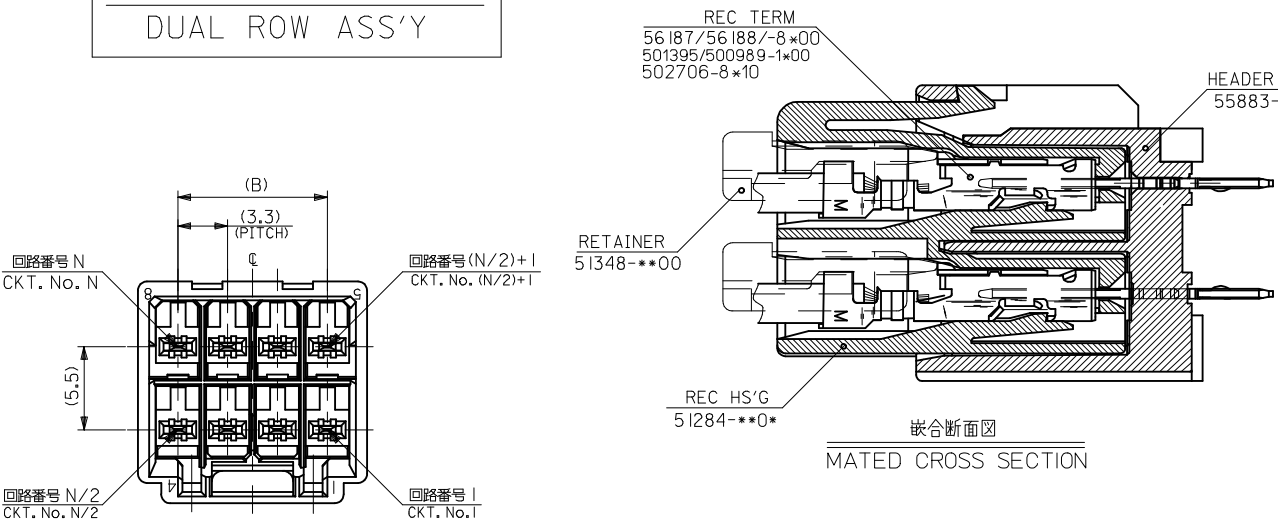


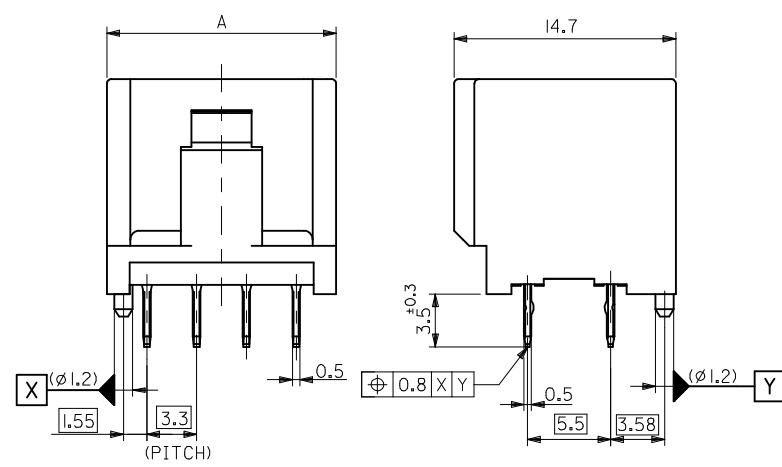
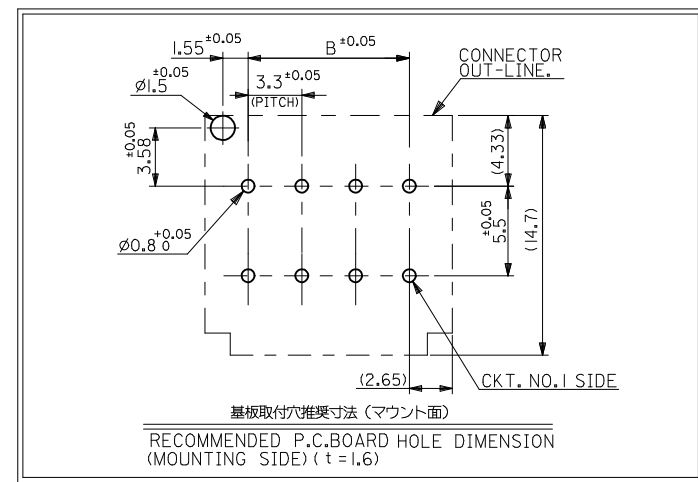
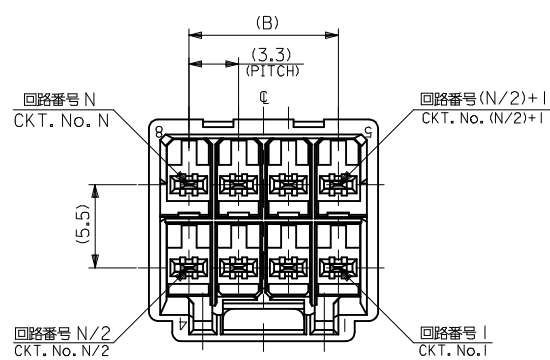
本図は2列品を示す  
DUAL ROW ASS'Y

注記  
NOTES

- 材料  
MATERIAL : 黄銅, ニッケル下地鍍メッキ  
PIN : BRASS, TIN OVER NICKEL PLATED  
ヘッダー  
HEADER : ポリアミド (PA), ガラス充填, UL94V-0  
MATE WITH : 51284-\*\*\*8
- 嵌合相手  
MATE WITH : 51284-\*\*\*8
- ソルダーテールキンは、両端のピンのみとする。  
KINK TO BE APPLIED FOR 4 PINS AT BOTH ENDS.
- 極性用溝  
PALARIZING KEY
- ELV及びRoHS 適合品  
ELV AND RoHS COMPLIANT



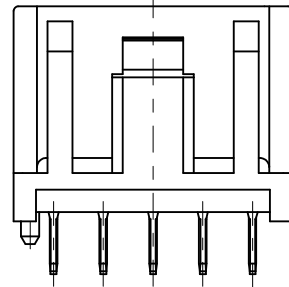
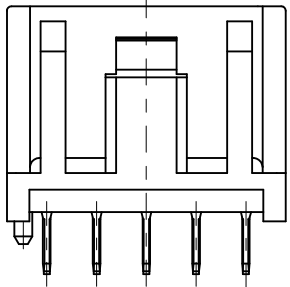
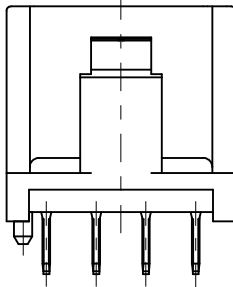
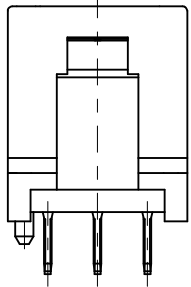
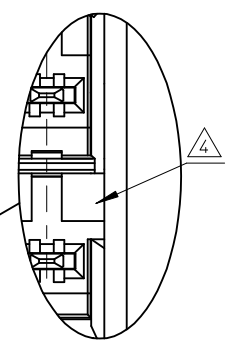
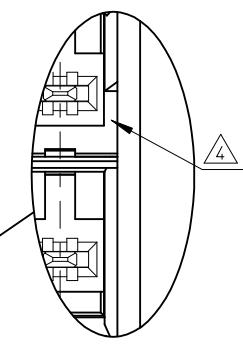
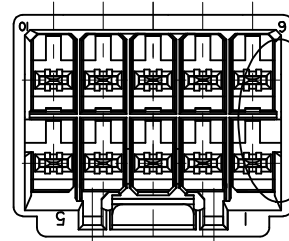
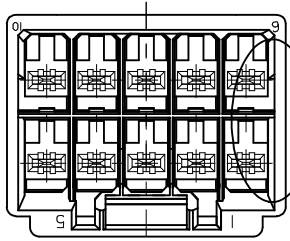
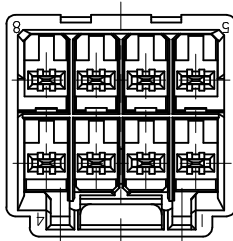
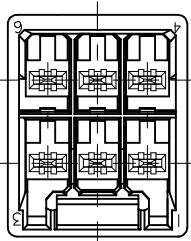
嵌合断面図  
MATED CROSS SECTION



LOCK SIDE	BLACK	13.2	18.5	55883-1091	10
OPPOSITE SIDE OF LOCK	NATURAL (IVORY)	9.9	15.2	-1090	8
	RED	6.6	11.9	-0890	
MATING KEY POSITION (SEE SHEET 2 OF 3)	COLOR	B	A	-0690	6
				TRAY PACKAGE	極数
				オーダー番号 ORDER NO.	CIRCUITS

REVISED EC NO: J2010-0432 DRW: NYOSHIKAWA 2009/09/11 CHK: K. ASAKAWA 2009/09/14 APPR: NUKITA 2009/09/15	GENERAL TOLERANCES (UNLESS SPECIFIED)		DIMENSION STYLE MM ONLY	SCALE ---	CONNECTOR SERIES No. 55883-***9*	
	10 UNDER	±0.2	DRAWN BY J. KUGOU	DATE '04/02/12	DESIGN UNITS METRIC	
	10 OVER 30 UNDER	±0.25	CHECKED BY M. SASAO	DATE '04/02/12	THIRD ANGLE PROJECTION	
	30 OVER	±0.3	APPROVED BY M. SASAO	DATE '04/02/12	MOLEX INCORPORATED	
ANGULAR ±3 °		DRAFT WHERE APPLICABLE MUST REMAIN WITHIN DIMENSIONS	MATERIAL NO. SEE CHART	DOCUMENT NO. SD-55883-010	SHEET NO. 1 OF 3	
THIS DRAWING CONTAINS INFORMATION THAT IS PROPRIETARY TO MOLEX INCORPORATED AND SHOULD NOT BE USED WITHOUT WRITTEN PERMISSION						

本図は2列品を示す  
DUAL ROW ASS'Y



SHAPE OF  
55883-0690  
HEADER COLOR:NATURAL

SHAPE OF  
55883-0890  
HEADER COLOR:NATURAL  
55883-0892  
HEADER COLOR:RED

SHAPE OF  
55883-1090  
HEADER COLOR:NATURAL

SHAPE OF  
55883-1091  
HEADER COLOR:BLACK

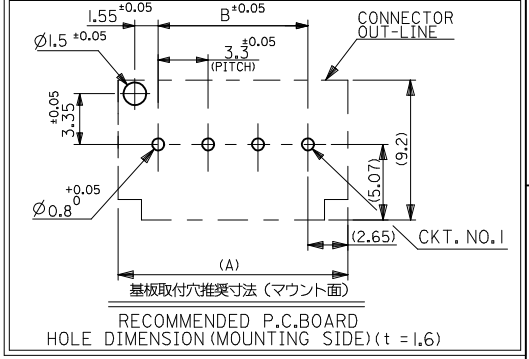
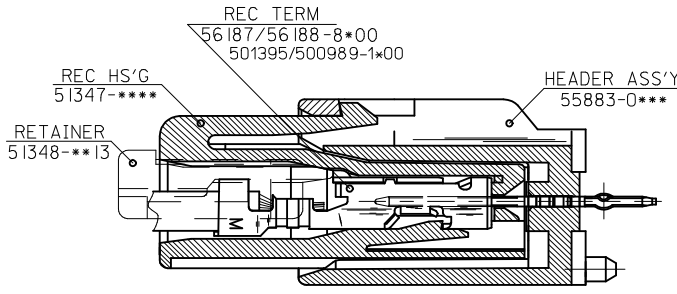
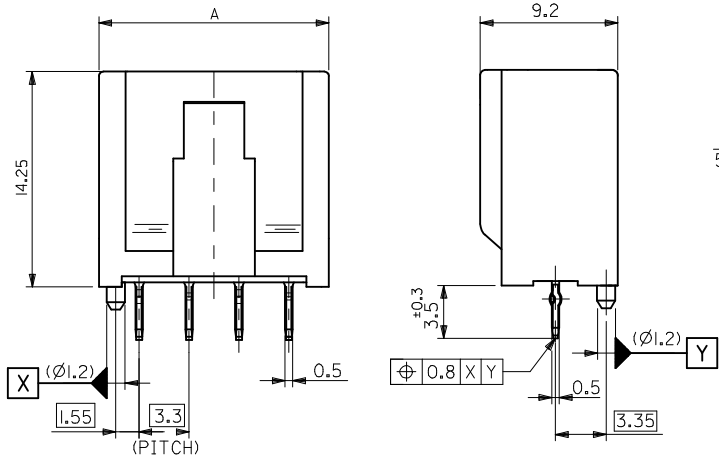
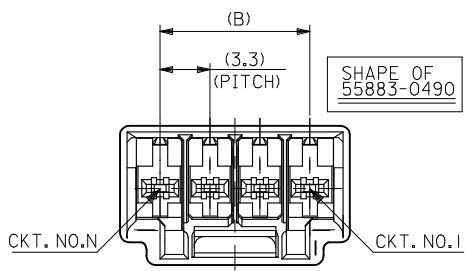
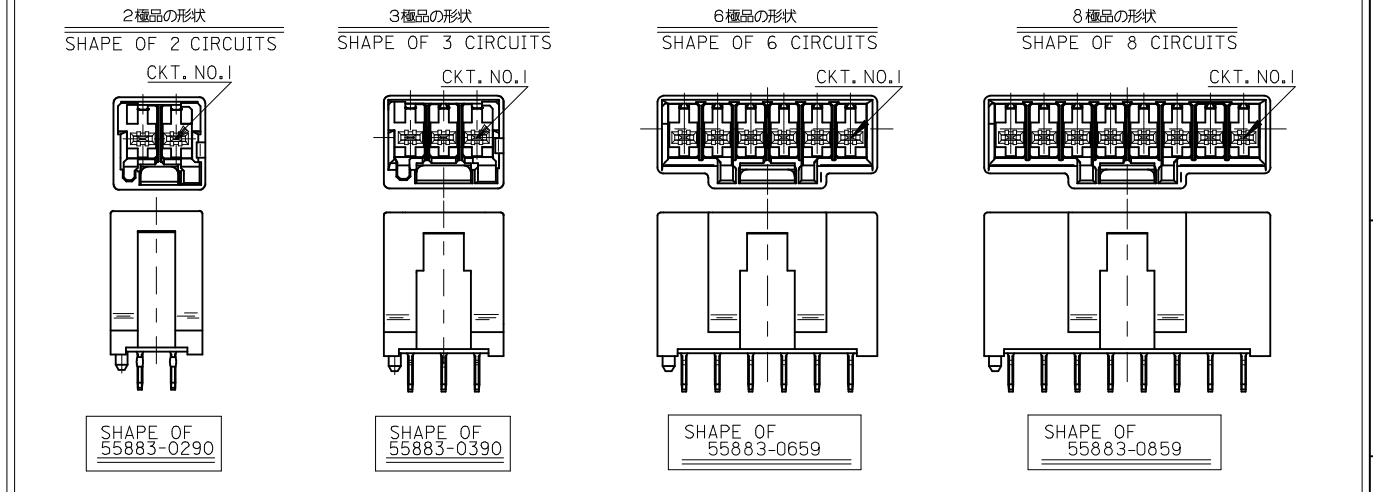
MATING KEY POSITION:OPPOSITE SIDE OF LOCK

MATING KEY POSITION:LOCK SIDE

極数レイアウト図  
LAYOUT OF EACH CIRCUITS

REVISED EC NO. J2010-0432 DRW:NIYOSHIKAWA 2009/09/11 CHKDK:ASAKAWA 2009/09/14 APPR:NUKITA 2009/09/15	GENERAL TOLERANCES (UNLESS SPECIFIED)		DIMENSION STYLE MM ONLY	SCALE ---	DESIGN UNITS METRIC	THIRD ANGLE PROJECTION
	10 UNDER	± 0.2	DRAWN BY J.KUGOU	DATE '04/02/12	TITLE 3.3 WIRE TO BOARD CONN. HEADER ASS'Y	
	10 OVER 30 UNDER	± 0.25	CHECKED BY M.SASAO	DATE '04/02/12		
	30 OVER	± 0.3	APPROVED BY M.SASAO	DATE '04/02/12	MOLEX INCORPORATED	
ANGULAR ±3 °	DRAFT WHERE APPLICABLE MUST REMAIN WITHIN DIMENSIONS	MATERIAL NO. SEE SHEET 1	DOCUMENT NO. SD-55883-010	SHEET NO. 2 OF 3		
THIS DRAWING CONTAINS INFORMATION THAT IS PROPRIETARY TO MOLEX INCORPORATED AND SHOULD NOT BE USED WITHOUT WRITTEN PERMISSION						

本図は1列品を示す  
SINGLE ROW ASS'Y



NATURAL (IVORY)	23.1	28.4	55883-0859	8
	16.5	21.8	55883-0659	6
	9.9	15.2	55883-0490	4
	6.6	11.9	55883-0390	3
	3.3	9.1	55883-0290	2
COLOR	B	A	TRAY PACKAGE	極数
	オーダー番号 ORDER NO.			CIRCUITS

注記 NOTES

- 材料 MATERIAL  
ピン PIN : 黄銅, ニッケル下地鍍メッキ  
          : BRASS, TIN OVER NICKEL PLATED  
ヘッダー HEADER : ホリアミド (PA), ガラス充填 UL94V-0  
              : POLYAMIDE (PA), GLASS FILLED, UL94V-0
- 嵌合相手 MATE WITH : 51347-\*\*\*\*
- ELV及びRoHS 適合品  
ELV AND RoHS COMPLIANT

REVISED EC NO: J2010-0432 DRWN: YOSHIKAWA 2009/09/11 CHKD: ASAKAWA 2009/09/14 APPR: NUKITA 2009/09/15	DESCRIPTION	GENERAL TOLERANCES (UNLESS SPECIFIED)		DIMENSION STYLE	SCALE	CONNECTOR SERIES No. 55883-0***		
				MM ONLY	---	DESIGN UNITS	THIRD ANGLE PROJECTION	
		10 UNDER	±0.2	DRAWN BY	DATE	TITLE	3.3 WIRE TO BOARD CONN. HEADER ASS'Y	
		10 OVER 30 UNDER	±0.25	J. KUGOU	'04/02/12			
30 OVER	±0.3	CHECKED BY	DATE		MOLEX INCORPORATED			
ANGULAR	±3 °	M. SASAO	'04/02/12					
DRAFT WHERE APPLICABLE MUST REMAIN WITHIN DIMENSIONS		APPROVED BY	DATE	MATERIAL NO.	DOCUMENT NO.	SHEET NO.		
		M. SASAO	'04/02/12	SEE CHART	SD-55883-010	3 OF 3		
		SIZE	THIS DRAWING CONTAINS INFORMATION THAT IS PROPRIETARY TO MOLEX INCORPORATED AND SHOULD NOT BE USED WITHOUT WRITTEN PERMISSION					
		A3						