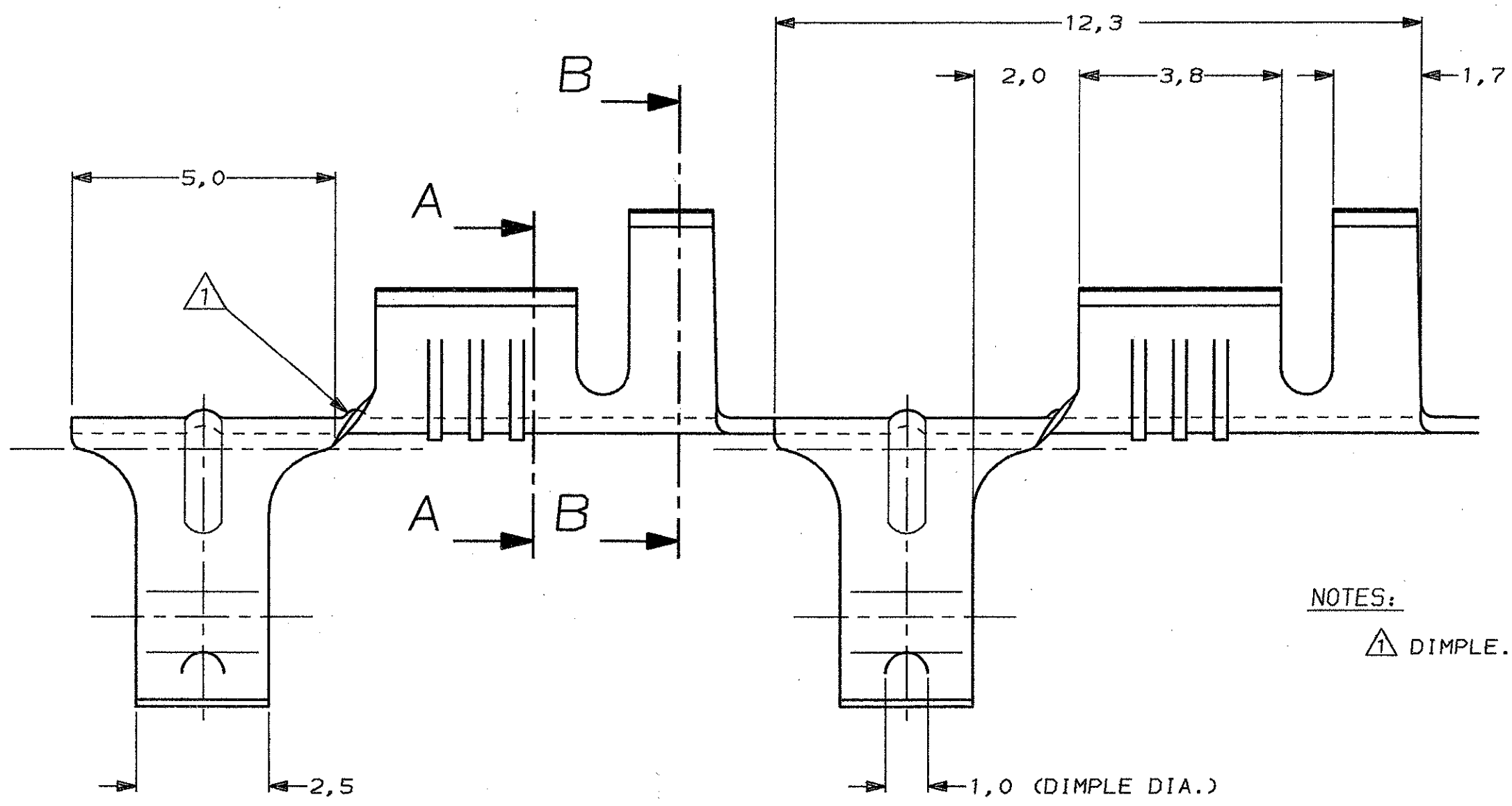
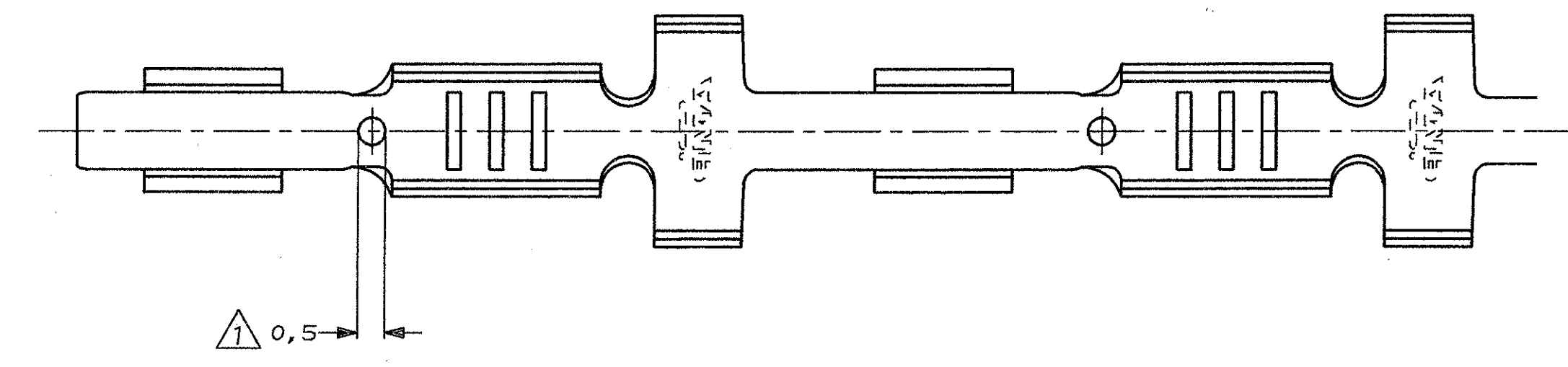
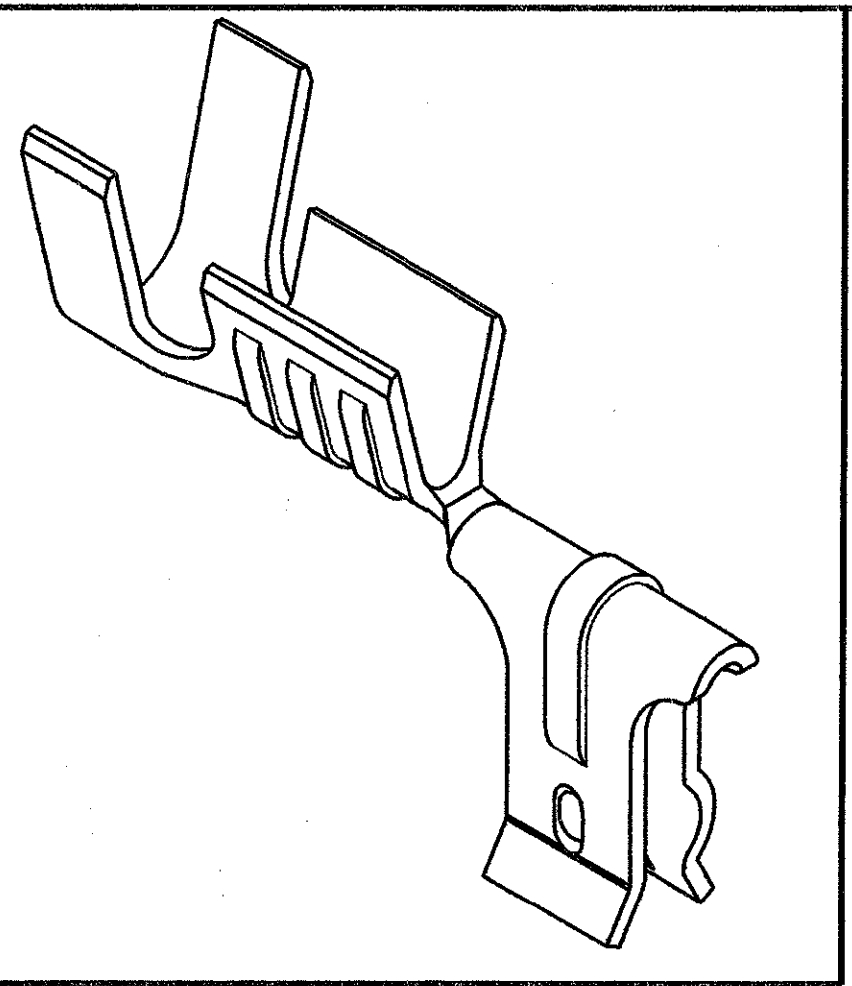


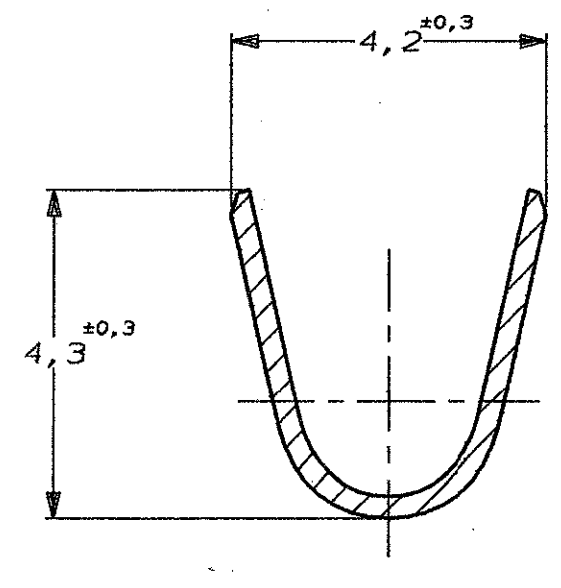
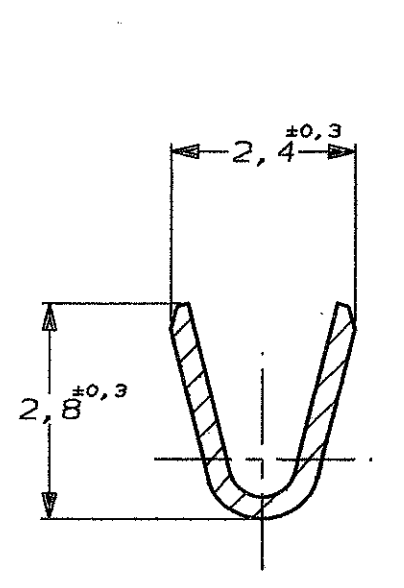
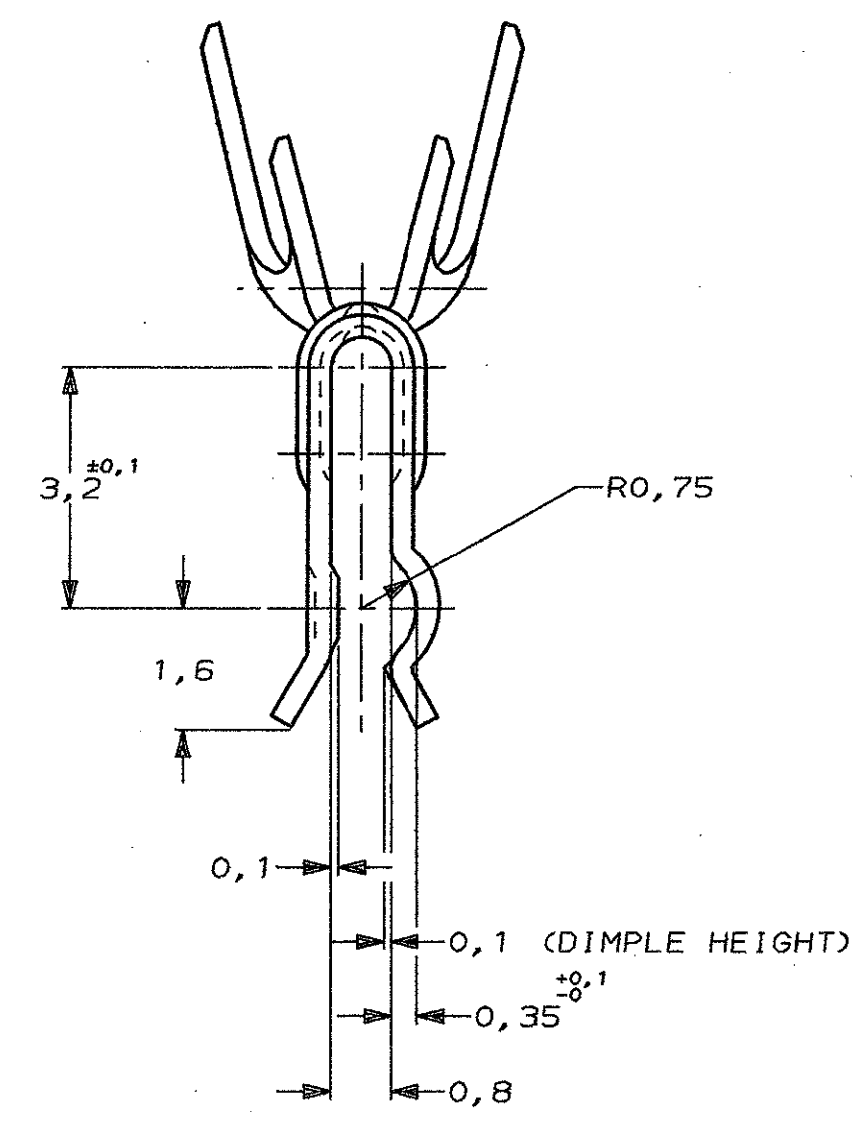
DO NOT SCALE
DIMENSIONS IN mm

METRIC

THIRD ANGLE
PROJECTION



NOTES:
△ DIMPLE.



SECTION A-A

SECTION B-B

WIRE RANGE :
0,5-0,8mm²
INSULATION RANGE :
2,3-3,3mm DIA.

		PLAIN	NEW SILVER	188223-1
		FINISH	MATERIAL	PARTNUMBER
		CUSTOMER DRAWING FOR REFERENCE ONLY WILL NOT BE UPDATED		
		© COPYRIGHT 19- BY AMP HOLLAND B.V. ALL INTERNATIONAL RIGHTS RESERVED. AMP PRODUCTS MAY BE COVERED BY U.S. AND FOREIGN AND/OR PATENTS PENDING.		
		THIS DRAWING IS UNPUBLISHED RELEASED FOR PUBLICATION		
		AMP HOLLAND B.V. 's-Hertogenbosch, The Netherlands.		
		NAME		
A	EH-0321-94	DK	HS	10-09-94
LTR.	REVISION RECORD	DR.	CHK.	DATE
DR. : D.KESSLER	CHK. : H.v.d.STEEN	APP. : L.v.SOEST	DWG. No. C-188223	
DATE: 10-09-94	DATE: -	DATE: -	REV. LTR. A	SHEET 1 OF 1 A2