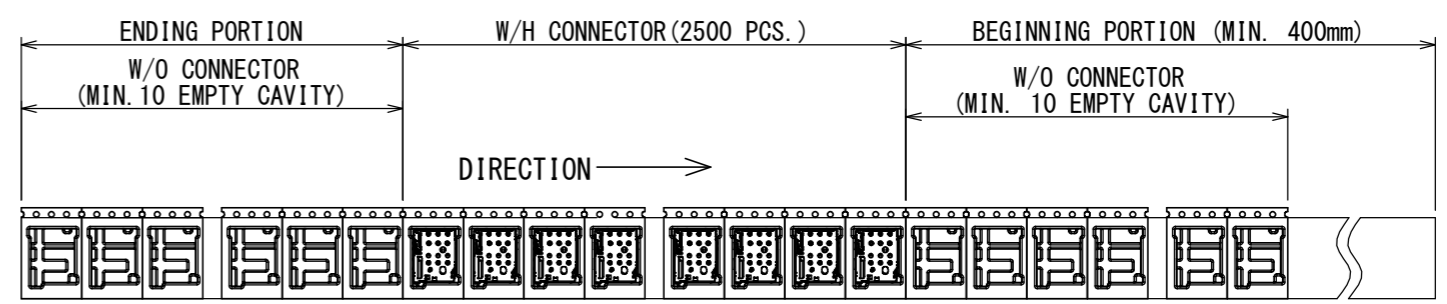
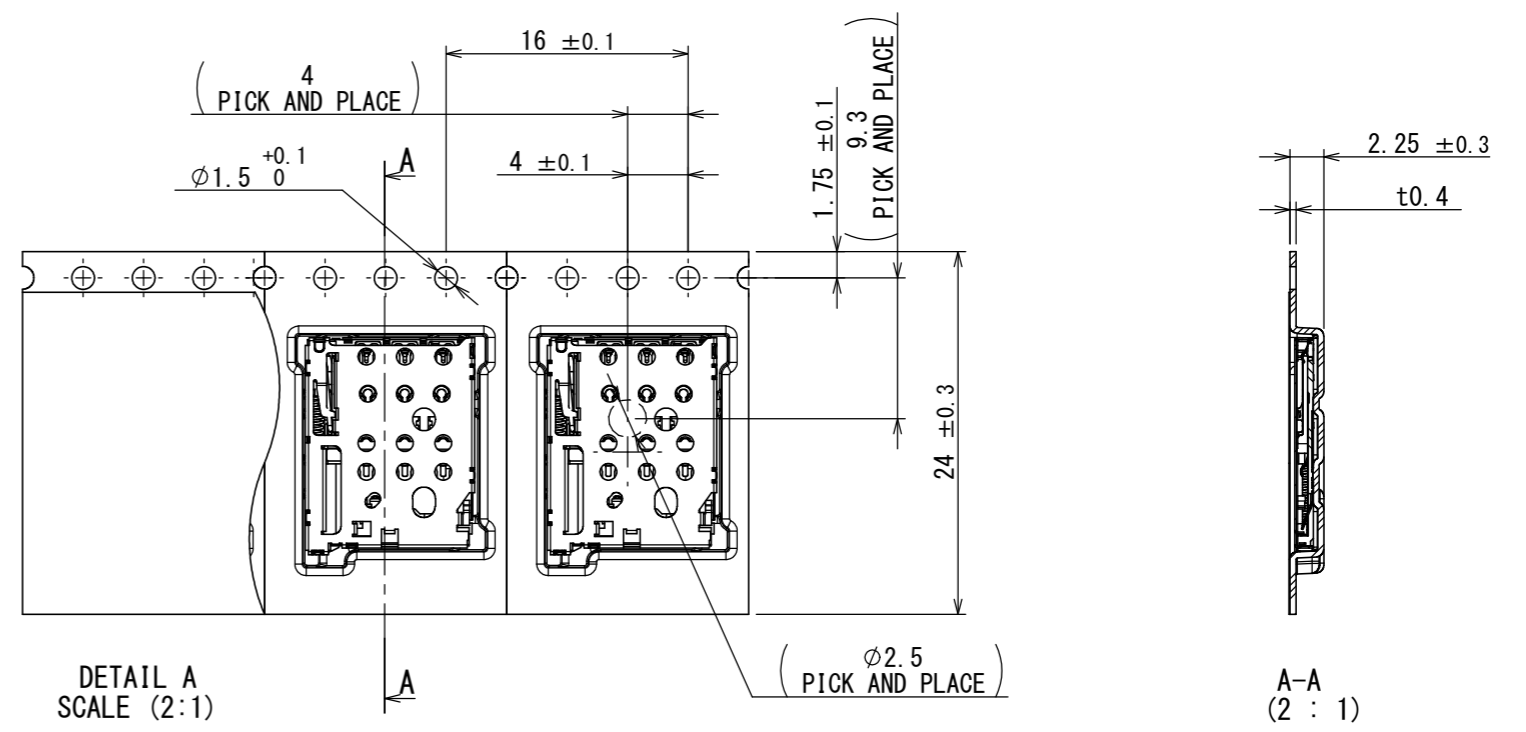
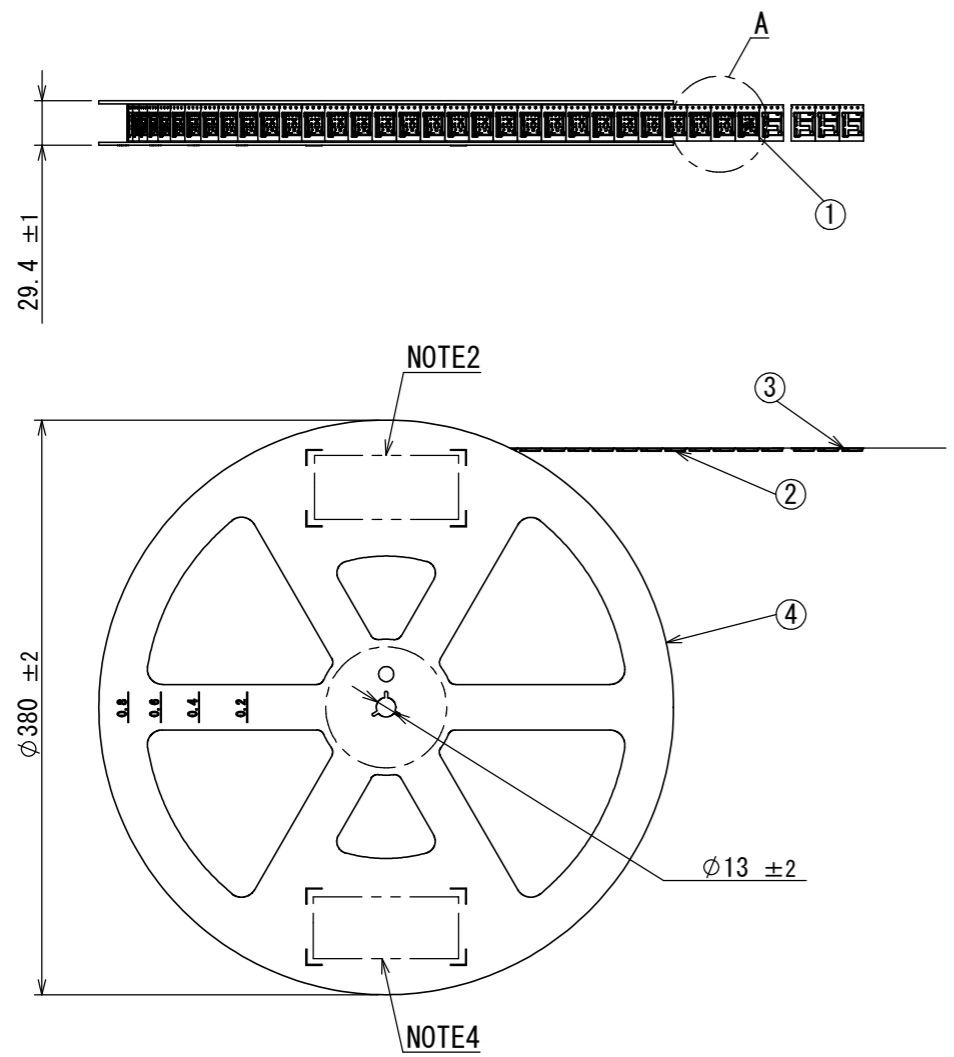


図面番号 (DRAWING NO.) SJ114536

版数 VER.	年月日 DATE	CN NO.	変更内容 DESCRIPTION	製図 DR.	担当 CHK.	査閲 APPD.	承認 APPD.
------------	-------------	--------	---------------------	-----------	------------	-------------	-------------



NOTE1. SUFFIX "R2500" OF THE PART NUMBER INDICATES THAT 2500 PCS. OF SF72S006VBA CONNECTORS ARE ACCOMODATED IN ONE REEL.
 2. THE LABEL IS TO BE ATTACHED ON THE MAGAZINE AS SHOWN, AND DESCRIPTION, QTY, LOT NO, EMBOSS CODE ARE SHOWN.
 3. REFER TO THE DRAWING . SJ114535 (SF72S006VBA) FOR THE DIMENSION OF THE CONNECTOR.
 4. IF THERE IS ANOTHER ASSIGNED LABEL, THE LABEL IS TO BE ATTACHED. (REFER TO JACS)

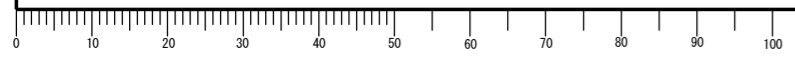
NOTE2
 DESCRIPTION: SF72S006VBAR2500
 QTY : 2500
 LOT NO : DDMMYY-*(*: REEL No.)
 EMBOSS CODE: TB2416

16: PITCH
 24: TAPE WIDTH

符号 NO.	名称 DESCRIPTION	個数 QTY.	材料 MATERIAL	仕上 FINISH	備考 REMARKS
4	REEL	1	PLASTIC		
3	COVER TAPE	1	POLYESTER	-	
2	CARRIER TAPE	1	PS	-	
1	CONNECTOR	2500	-	-	SJ114535 (SF72S006VBA)

仕様書 (SPECIFICATION) JACS-11019	第1版 (ORIGINAL DATE) 12/MAY/2014	尺度 (SCALE) 1:5	シリーズ (SERIES) SF15	日本航空電子工業株式会社 JAE
一般公差 (GENERAL TOLERANCE) 寸法 (DIMENSION)	角度 (ANGLES)	名称 (TITLE) SF72S006VBAR2500		JAPAN AVIATION ELECTRONICS INDUSTRY, LTD.
× ±0.8 ×× ±0.4 ××× ±0.1 ×××× ±	×° ± ×°×' ±	質量 (MASS)		
単位 (UNIT) : mm	製図 DR.	担当 CHK. M. SHIMADA		図面番号 (DRAWING NO.) SJ114536
	査閲 APPD.	承認 APPD. A. NATORI		
		質量 (MASS)		版数 (VER.) 1

DCF-C-212H(12.08)



WISDOM承認 2014/06/02

SIZE A3