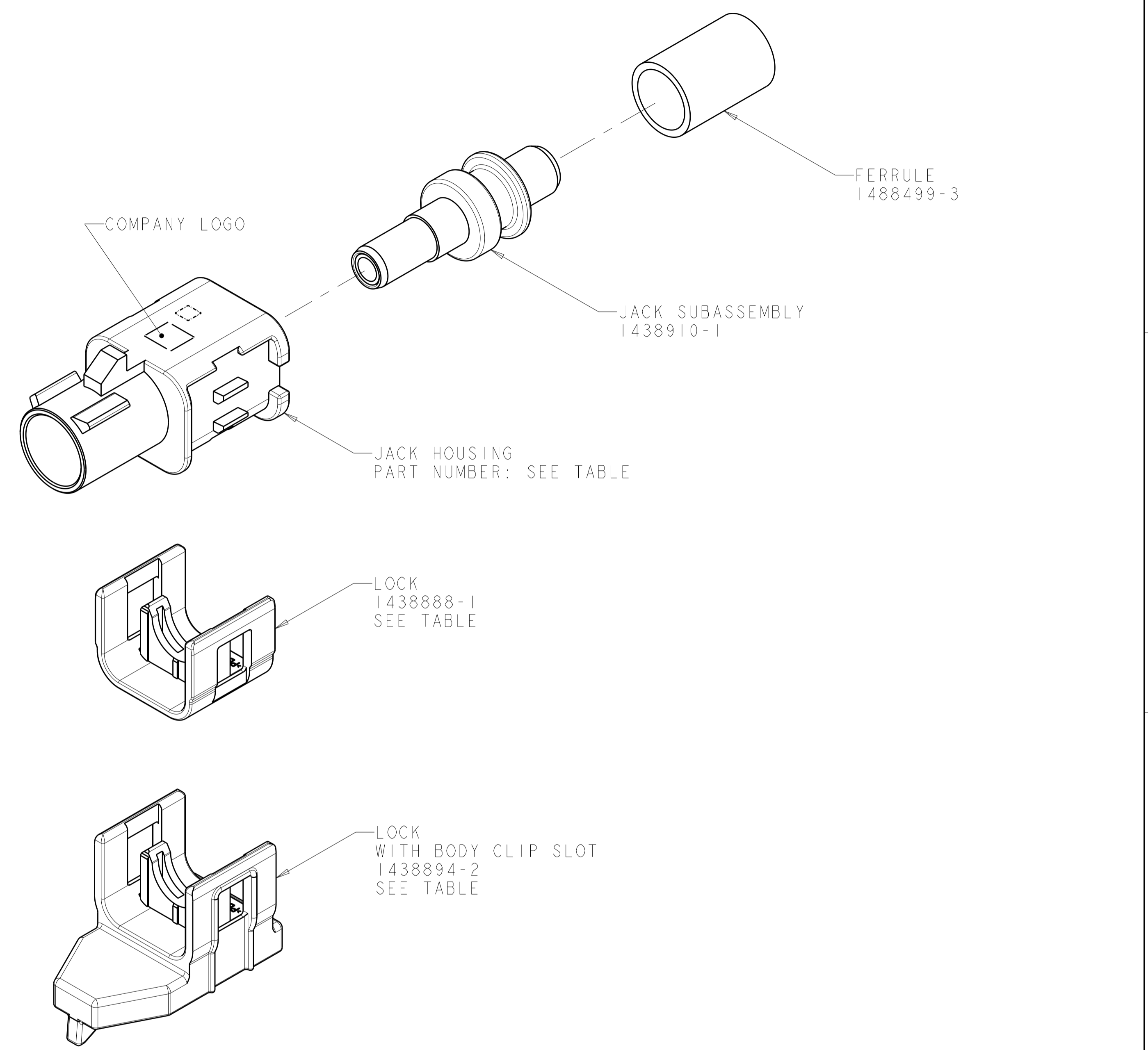
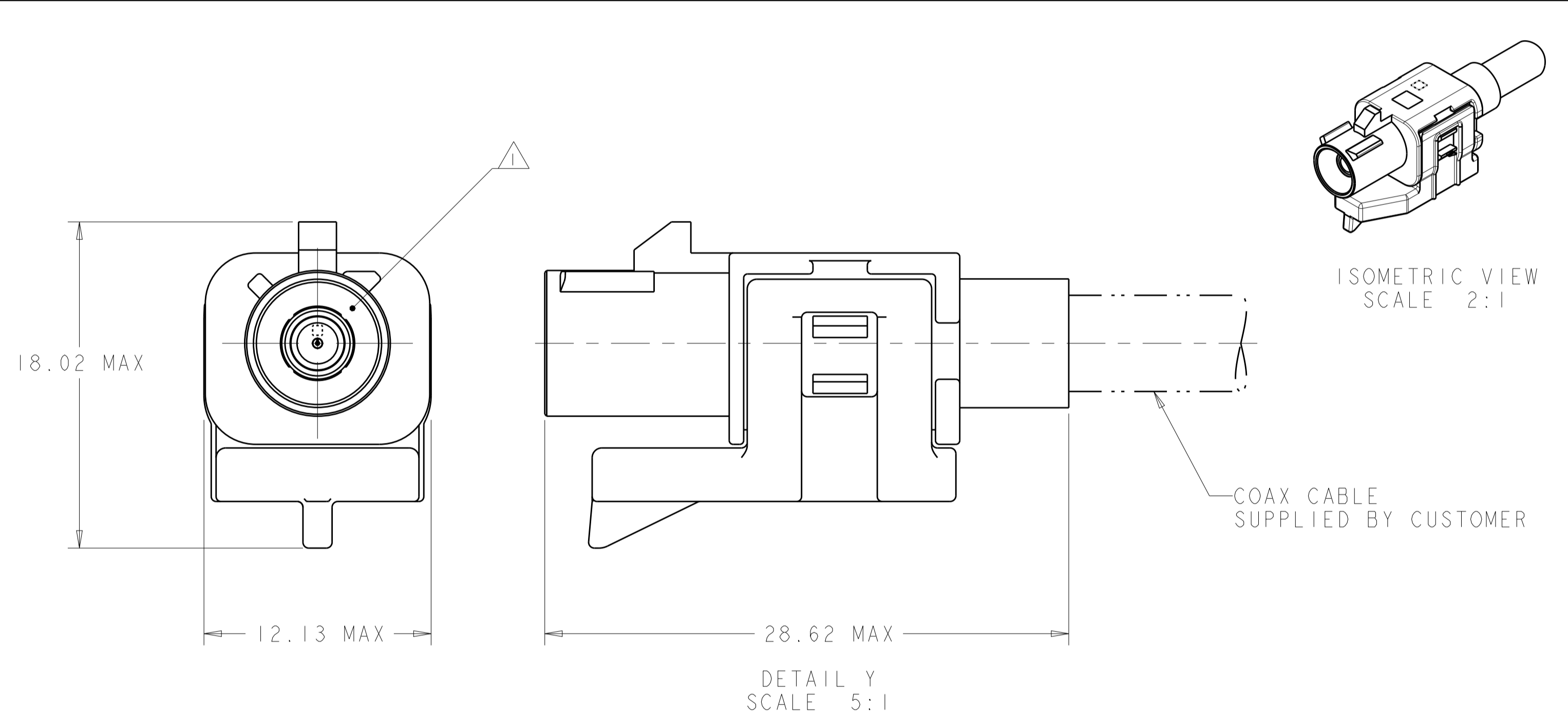
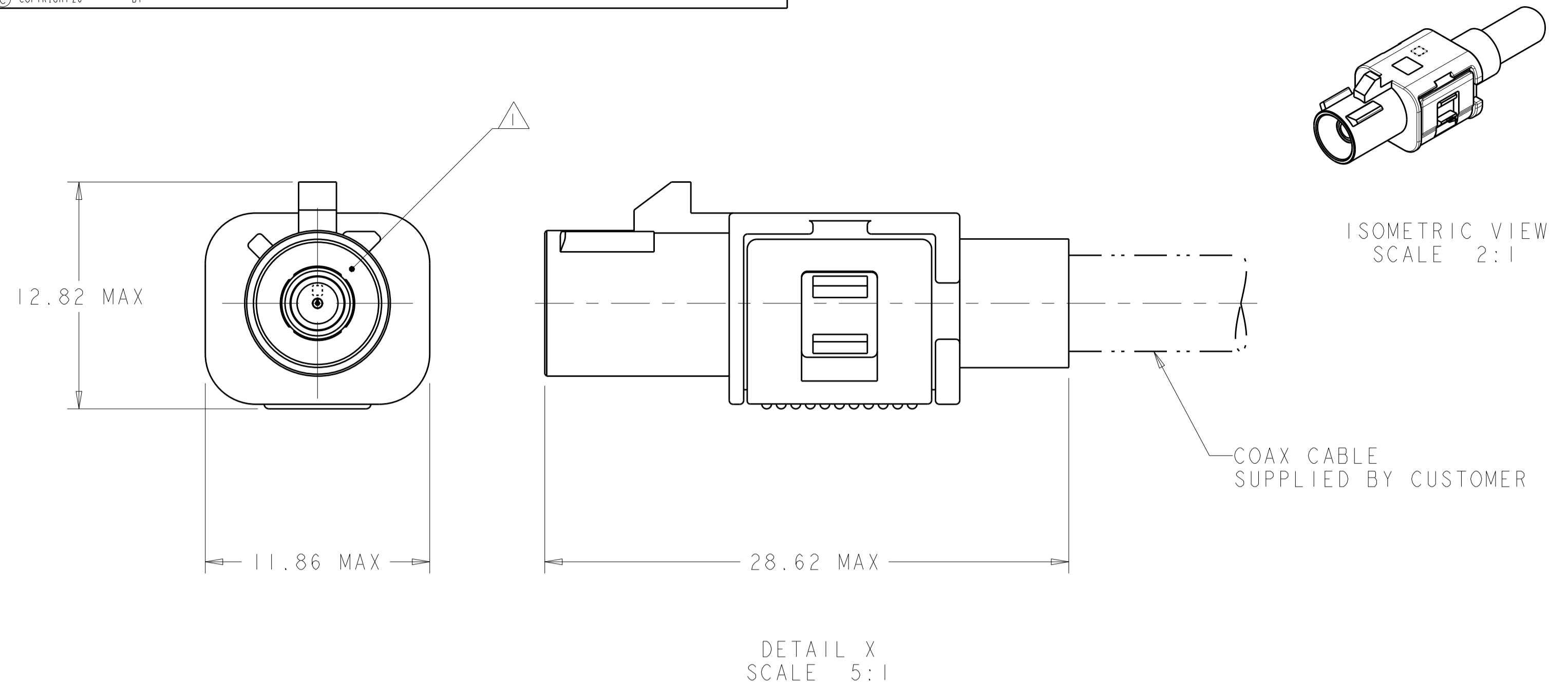
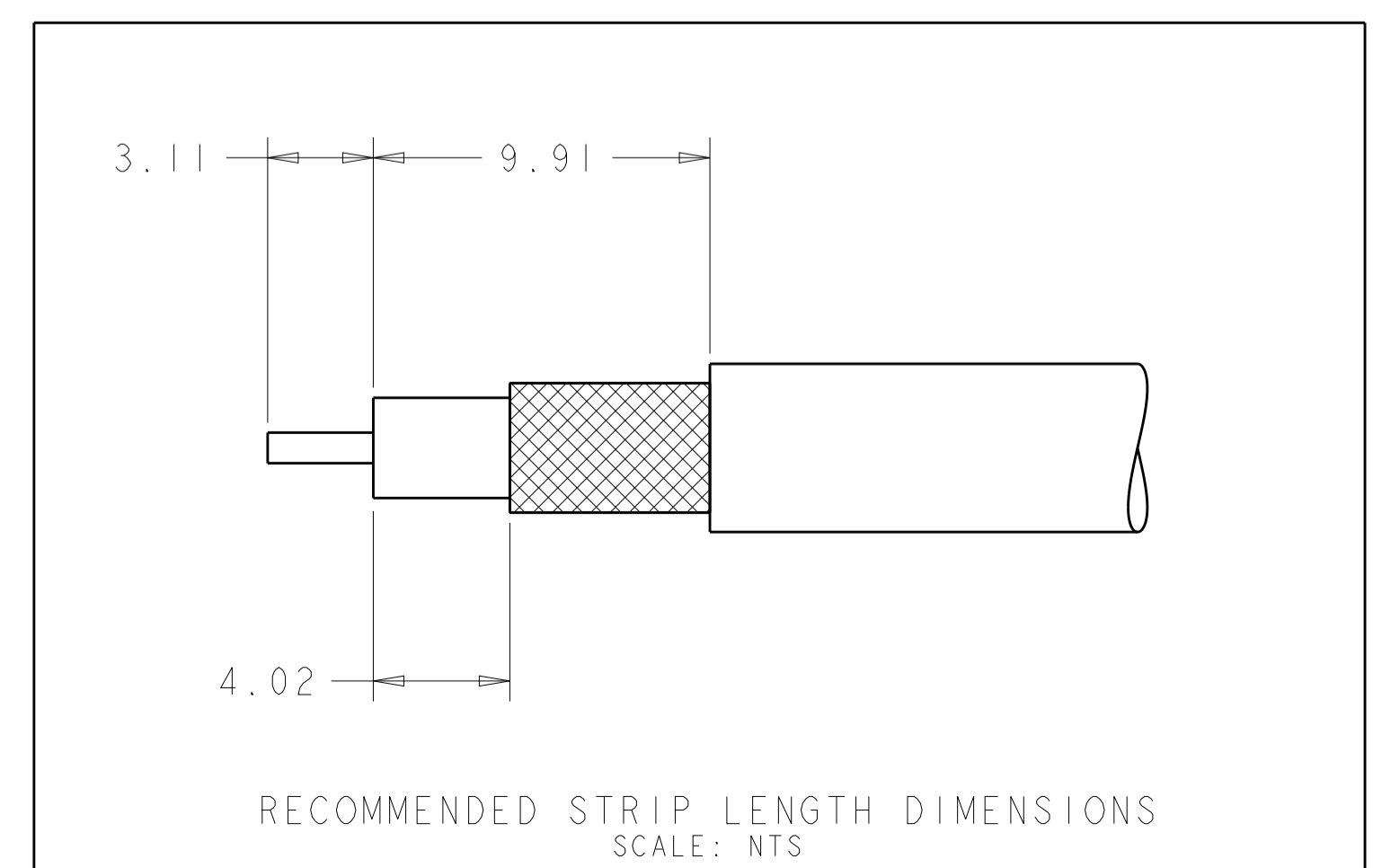


REVISIONS					
P.	LTN.	DESCRIPTION	DATE	OWN.	APVD.
F2	ECO-14-009247		18JUN2014	KP	LLV



- ▲ JACK INTERFACE PER DIN 72594-1, ROAD VEHICLES - RADIO FREQUENCY INTERFACE - DIMENSIONS AND ELECTRICAL REQUIREMENTS.
- JACK SUBASSEMBLY WILL ACCEPT M17/28-RG58 COAXIAL CABLE PER MIL-C-17 AND LOW LOSS RG58 TYPE ANDREW CORPORATION PART NUMBER 910046A000. ALSO, ACCEPTS MINI 59 TYPE CABLE.
 - SEE INSTRUCTION SHEET 408-10028.
 - PIN CONTACT 1438890-7 MUST BE PURCHASED SEPARATELY FOR USE WITH RG58 AND RG58LL CABLE. PIN CONTACT 1438890-8 MUST BE PURCHASED SEPARATELY FOR USE WITH MINI 59 CABLE.



PER DETAIL Y	PER DETAIL K	K	GRAY	1438894-2	CURRY	1-1438887-0	6-1438911-0
PER DETAIL Y	PER DETAIL H	H	GRAY	1438894-2	HEATHER VIOLET	1438887-8	5-1438911-8
PER DETAIL Y	PER DETAIL G	G	GRAY	1438894-2	BLUE GRAY	1438887-7	5-1438911-7
PER DETAIL Y	PER DETAIL F	F	GRAY	1438894-2	NUT BROWN	1438887-6	5-1438911-6
PER DETAIL Y	PER DETAIL E	E	GRAY	1438894-2	LEAF GREEN	1438887-5	5-1438911-5
PER DETAIL Y	PER DETAIL D	D	GRAY	1438894-2	CLARET VIOLET	1438887-4	5-1438911-4
PER DETAIL Y	PER DETAIL C	C	GRAY	1438894-2	SIGNAL BLUE	1438887-3	5-1438911-3
PER DETAIL Y	PER DETAIL B	B	GRAY	1438894-2	SIGNAL WHITE	1438887-2	5-1438911-2
PER DETAIL Y	PER DETAIL A	A	GRAY	1438894-2	JET BLACK	1438887-1	5-1438911-1
PER DETAIL X	PER DETAIL K	K	RED	1438888-1	CURRY	1-1438887-0	1-1438911-0
PER DETAIL X	PER DETAIL H	H	RED	1438888-1	HEATHER VIOLET	1438887-8	1438911-8
PER DETAIL X	PER DETAIL G	G	RED	1438888-1	BLUE GRAY	1438887-7	1438911-7
PER DETAIL X	PER DETAIL F	F	RED	1438888-1	NUT BROWN	1438887-6	1438911-6
PER DETAIL X	PER DETAIL E	E	RED	1438888-1	LEAF GREEN	1438887-5	1438911-5
PER DETAIL X	PER DETAIL D	D	RED	1438888-1	CLARET VIOLET	1438887-4	1438911-4
PER DETAIL X	PER DETAIL C	C	RED	1438888-1	SIGNAL BLUE	1438887-3	1438911-3
PER DETAIL X	PER DETAIL B	B	RED	1438888-1	SIGNAL WHITE	1438887-2	1438911-2
PER DETAIL X	PER DETAIL A	A	RED	1438888-1	JET BLACK	1438887-1	1438911-1
ASSEMBLY	KEYING	CODING	LOCK COLOR	LOCK PART NUMBER	HOUSING COLOR	JACK HOUSING PART NUMBER	PART NUMBER

THIS DRAWING IS A CONTROLLED DOCUMENT.

OWN: D.J. HARDY 03JAN2005
 CHG: J.W. HALL 26JAN2005
 APVD: J.W. HALL 26JAN2006

DIMENSIONS: mm
 TOLERANCES UNLESS OTHERWISE SPECIFIED:
 0 PLC ±
 1 PLC ±0.25
 2 PLC ±
 3 PLC ±
 4 PLC ±
 ANGLES ±
 FINISH

MATERIAL: -
 FINISH: -

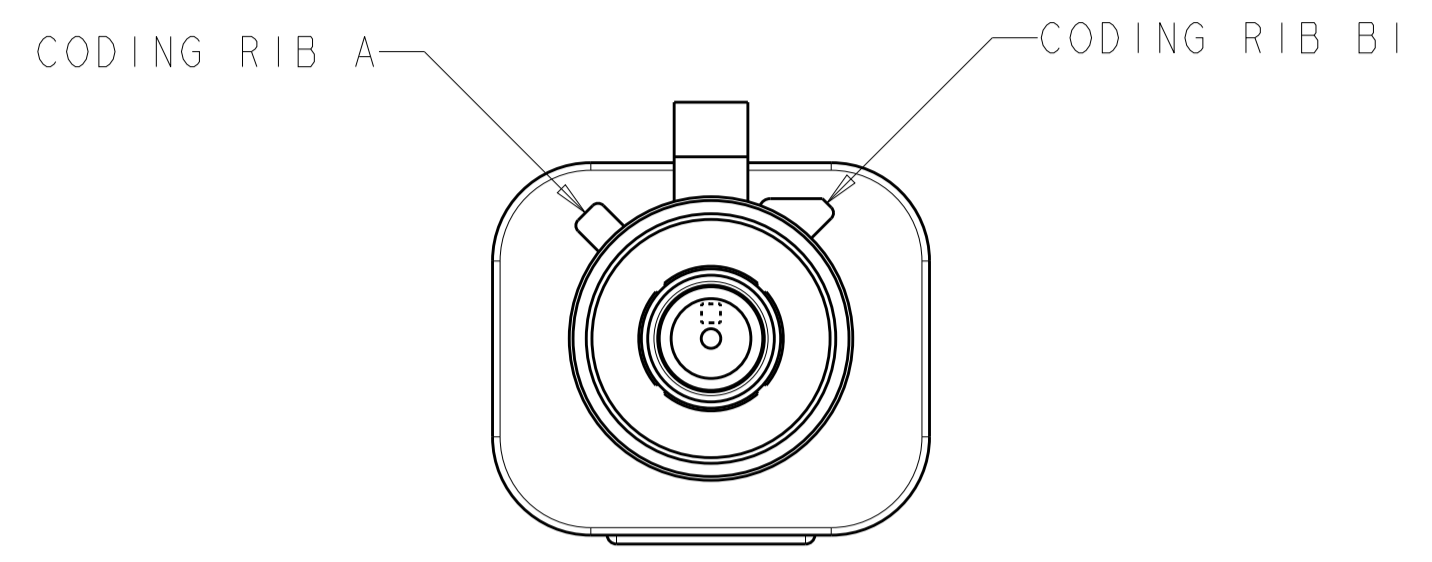
THIS DRAWING IS A CONTROLLED DOCUMENT.
 DWG: D.J. HARDY 03JAN2005
 CHG: J.W. HALL 26JAN2005
 APVD: J.W. HALL 26JAN2006

NAME: JACK KIT, UNASSEMBLED, 1 POSITION, MINI 59, RG-58 OR RG-58 LL, FAKRA, SMB

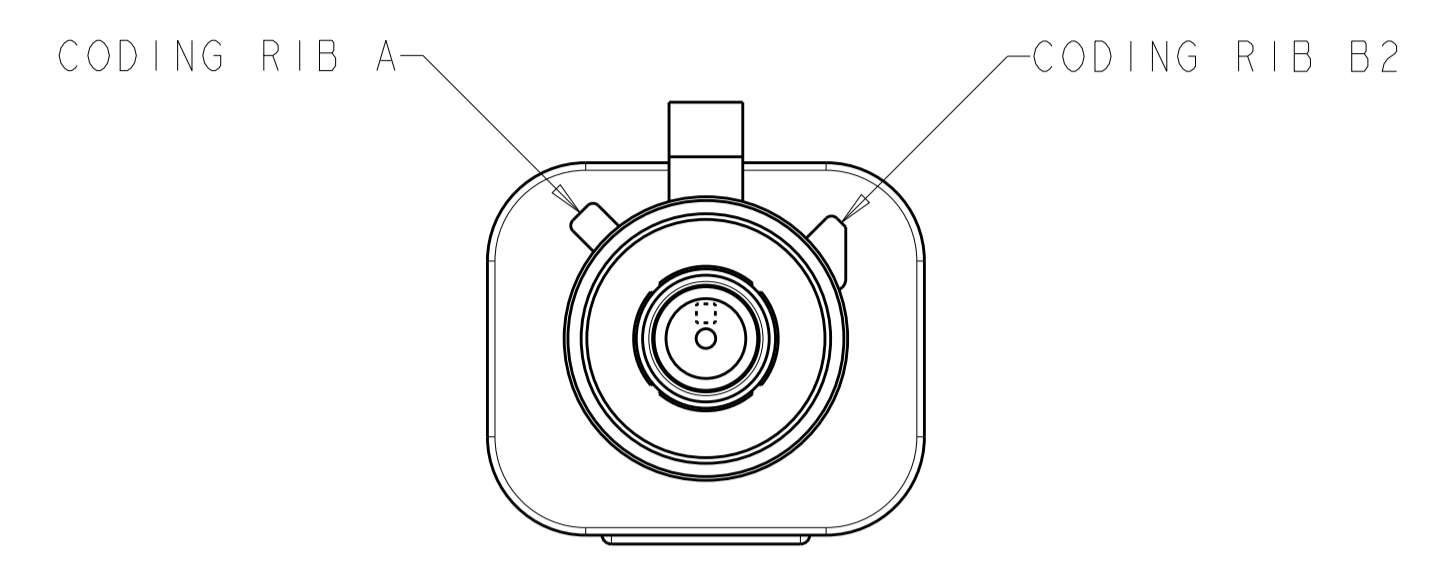
PRODUCT SPEC: -
 APPLICATION SPEC: -
 SIZE: 114-13157
 WEIGHT: -
 CUSTOMER DRAWING

SCALE: 4:1 SHEET 1 OF 2 REV F2

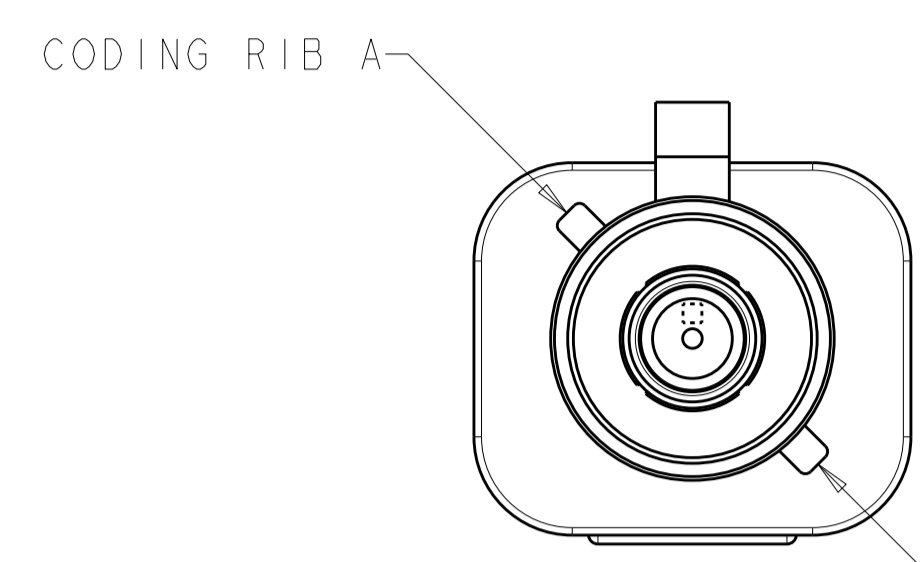
REVISIONS				
P.	LTN	DESCRIPTION	DATE	APVD
-	-	SEE SHEET 1	-	-



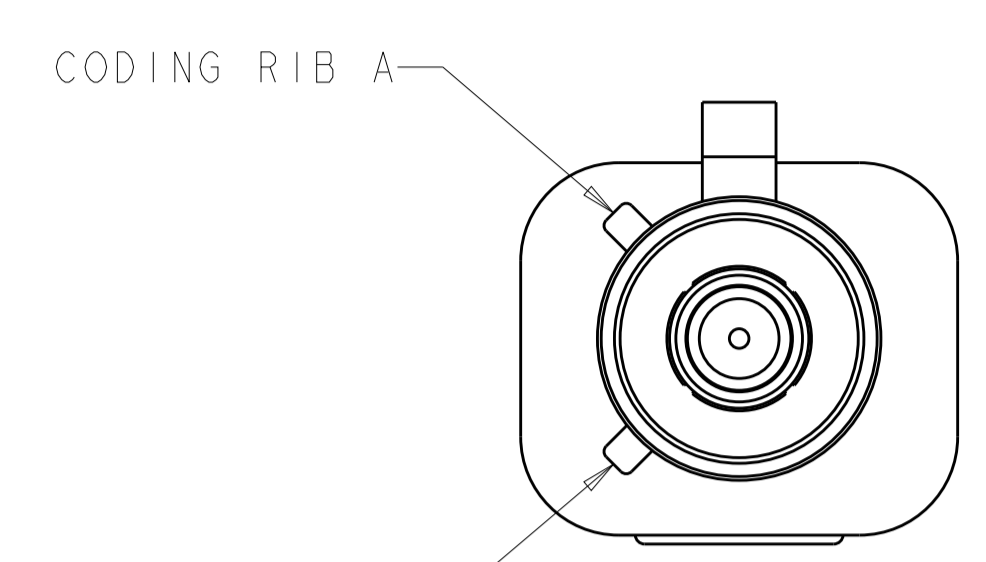
DETAIL A
SCALE 5:1



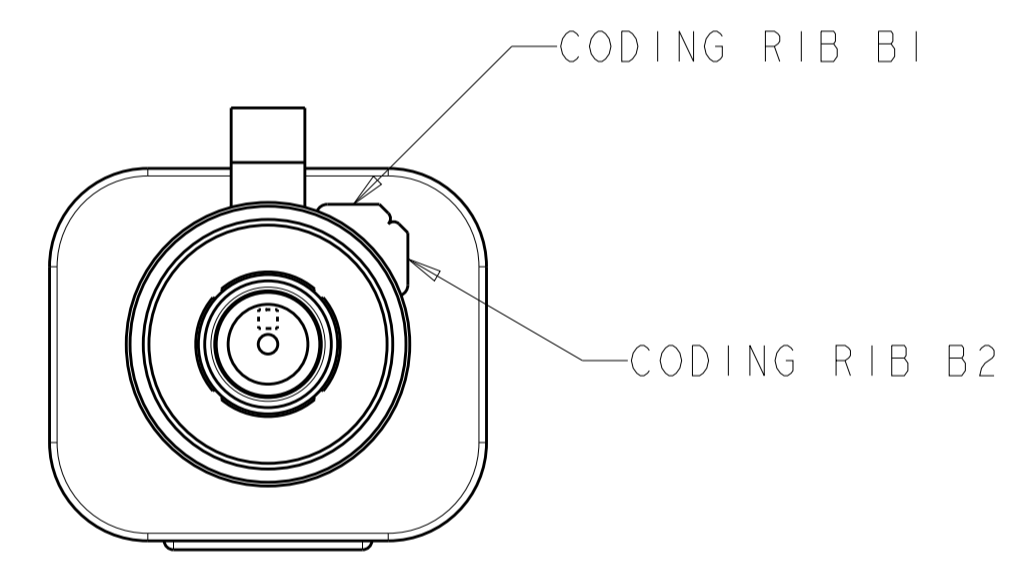
DETAIL B
SCALE 5:1



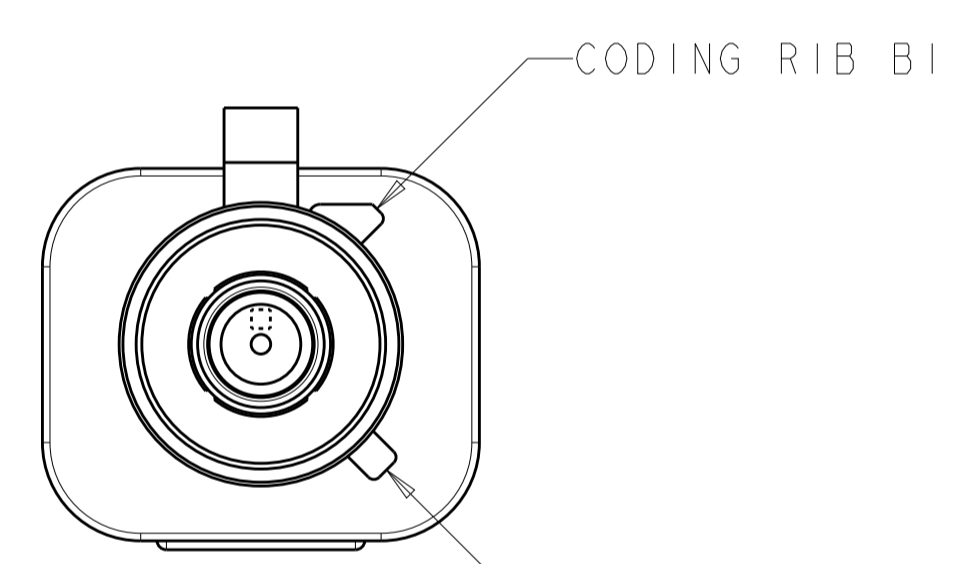
DETAIL C
SCALE 5:1



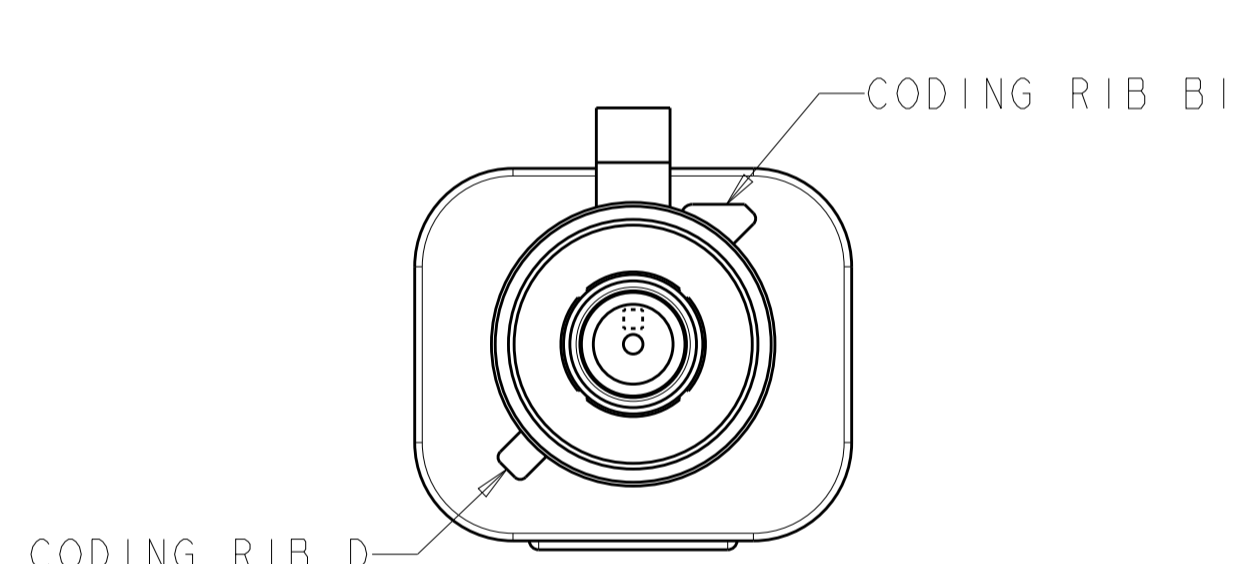
DETAIL D
SCALE 5:1



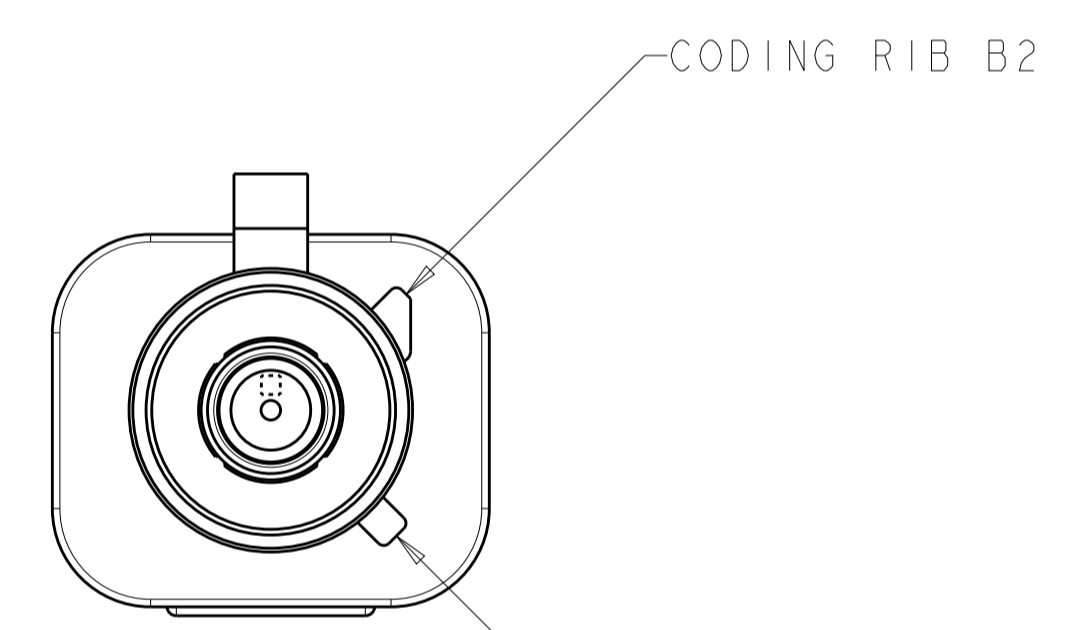
DETAIL E
SCALE 5:1



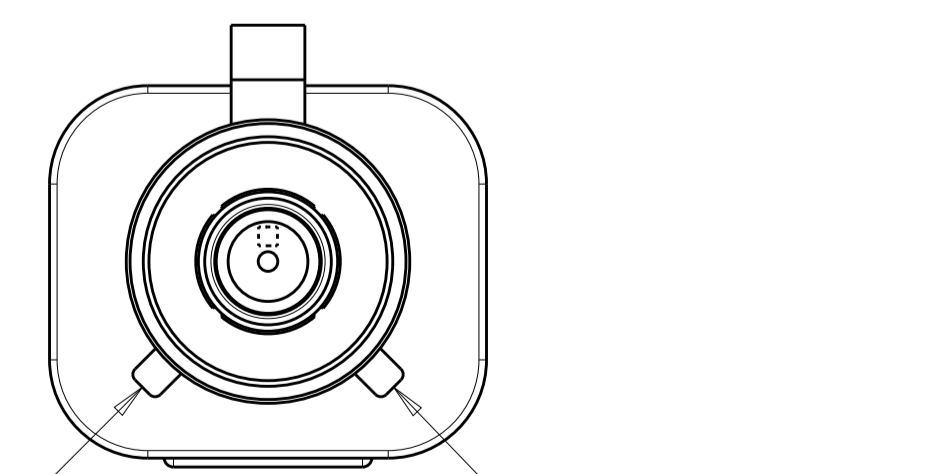
DETAIL F
SCALE 5:1



DETAIL G
SCALE 5:1



DETAIL H
SCALE 5:1



DETAIL K
SCALE 5:1

THIS DRAWING IS A CONTROLLED DOCUMENT.		OWN: D.J. HARDY 03JAN2005	TE Connectivity
DIMENSIONS: mm		CHK: J.W. HALL 26JAN2005	
TOLERANCES UNLESS OTHERWISE SPECIFIED: 0 PLC ± 1 PLC ±0.25 2 PLC ± 3 PLC ± 4 PLC ± ANGLES ±		APVD: J.W. HALL 26JAN2006	NAME: JACK KIT, UNASSEMBLED, 1 POSITION, MINI 59, RG-58 OR RG-58 LL, FAKRA, SMB
MATERIAL: -		FINISH: -	SIZE: A1
CAGE CODE: -		DRAWING NO: 114-13157	RESTRICTED TO: -
CUSTOMER DRAWING		SCALE: 4:1	SHEET 2 OF 2 REV: F2