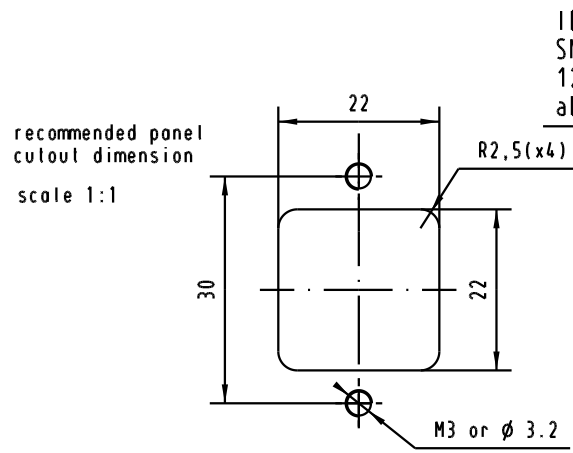
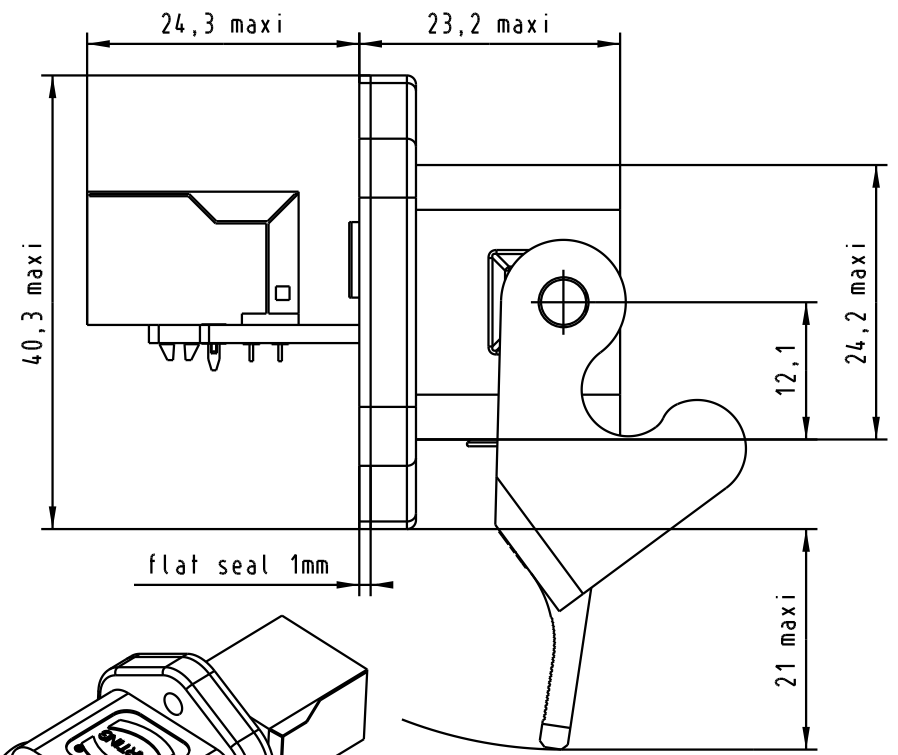
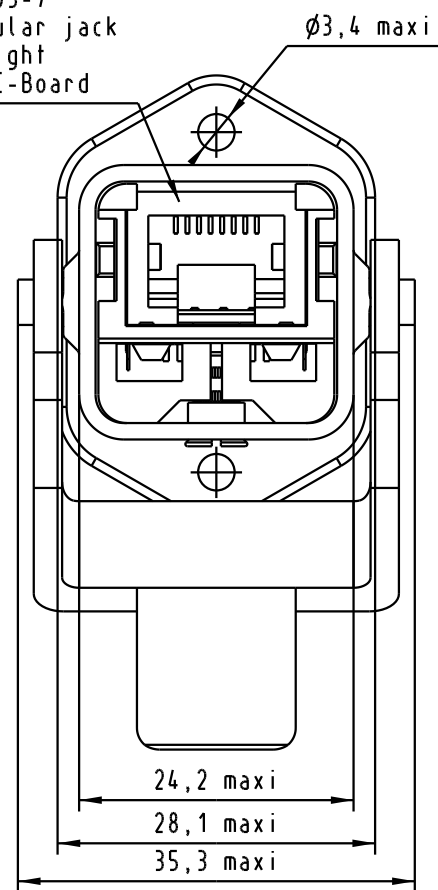


1 2 3 4 5 6

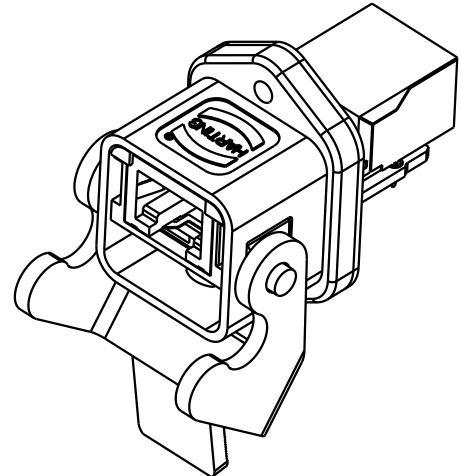
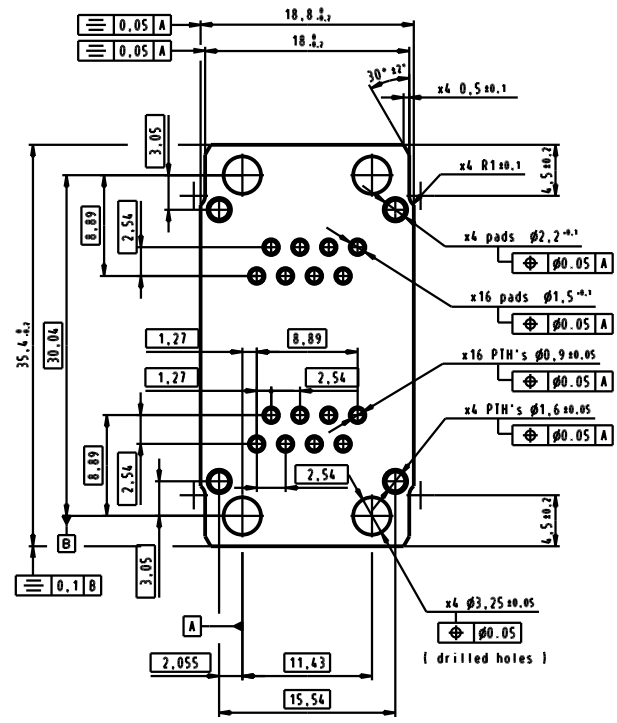
A
B
C
D





IEC 60603-7
SMC modular jack
12mm height
above PC-Board



recommended PC-Board layout (SMC)
view components side



mateable with
IEC 60076-3-106 variant 5
connectors pitches on panel
axis X = 36 mm
Axis Y = 55 mm

				Dat.	Name	 All Dim. in mm Orig. Size DIN A 4	RJ Industrial Han3A panel feed through with plastic housing IP67 - 8 data	Maßstab/ Scale 1,5:1
			Detail.	18-FEB-03	PP			
			Insp.					
33087	02-SEP-05	JB	Stand.					
31909	27-MAY-04	AC						
31394	18-FEB-03	PP						
Mod.	Dat.	Name	HARTING EURL F-95972 Paris				TB09 45 225 11 00	Blatt/ Page 1 / 1
							Sub.	