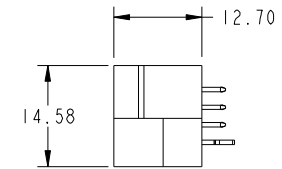
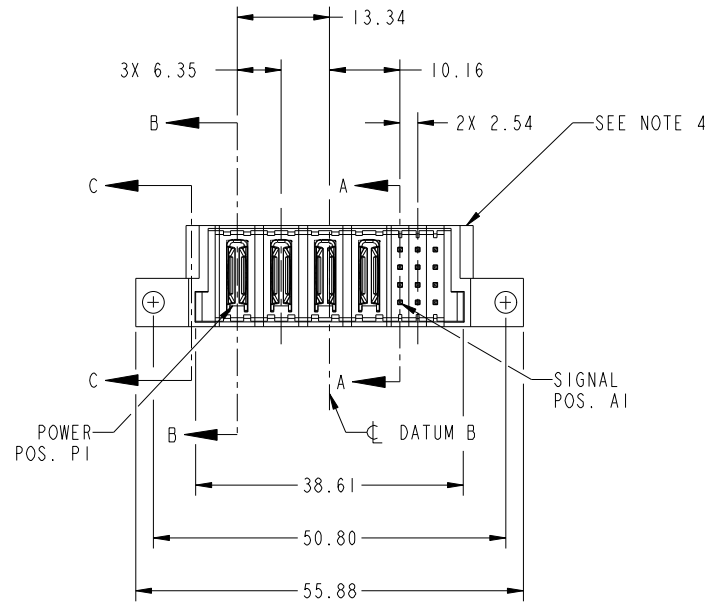


Tous droits strictement reserves. Reproduction ou communication a des tiers interdite sous quelque forme que ce soit sans autorisation écrite du propriétaire. Propriete de c FCI. Droits de reproduction FCI.



All rights strictly reserved. Reproduction or issue to third parties in any form whatever is not permitted without written authority from the proprietor. Property of FCI. Copyright FCI.

PRODUCT NO. 51963-049-- NOTE ③	ROWS D C B A	POWER				SIGNAL			E1	E2
		P1	P2	P3	P4	1	2	3		



CODE	DIM "M" MATING LENGTH	CONTACT TYPE
PA	[N/A]	POWER
E	[6.86]	SIGNAL
HA	[N/A]	HOLD-DOWN

mat'l code				tolerances unless otherwise specified		CUSTOMER		FCI			
ltr	ecn no.	dr	date	linear	0.X ± 0.5	COPY		www.fciconnect.com			
A	DG10-0036	WL	1/28/10	angles	0.XX ± 0.25	projection		title			
					0.XXX ± 0.1	MIM		4P + 12S VERTICAL STB HEADER			
				dr	0° ± 2°	scale		product family			
				enr	WL ZHANG 1/28/10	1:1		PwrBlade			
				chr	WL ZHANG 1/28/10			code			
				appd	PM ZHENG 1/28/10			size			
					JOSEPH HSIA 1/28/10			dwg no			
sheet index				revision				A		51963-049	
				A A A A				A		213	
				1 2 3 4						sheet	
										1 of 4	

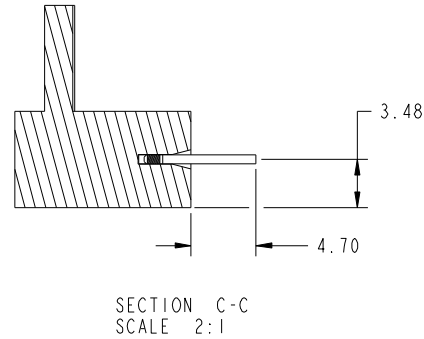
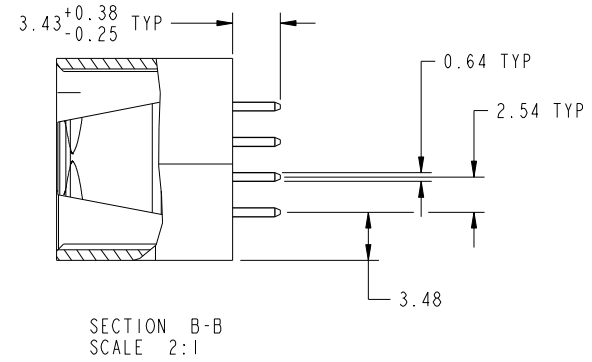
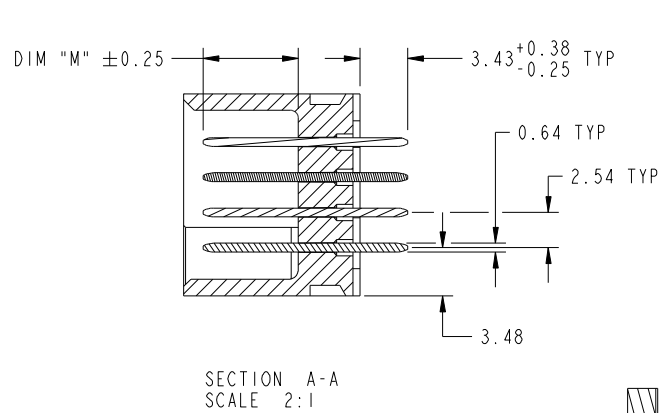
cage code 22526

Tous droits strictement reserves. Reproduction ou communication a des tiers interdite sous quelque forme que ce soit sans autorisation écrite du propriétaire. Propriete de c FCI. Droits de reproduction FCI.

All rights strictly reserved. Reproduction or issue to third parties in any form whatever is not permitted without written authority from the proprietor. Property of FCI. Copyright FCI.



PRODUCT NUMBER
51963-049__
NOTE 3



mat'l code				tolerances unless otherwise specified		CUSTOMER		FCI	
ltr	ecn no.	dr	date	linear	0.X ±0.5	COPY		www.fciconnect.com	
A					0.XX ±0.25	projection		title	
				angles	0.XXX ±0.1			4P + 12S VERTICAL STB HEADER	
				dr	0° ±2°	MIM		product family PwrBlade code	
				enr	WL ZHANG 1/28/10	scale		size	
				chr	WL ZHANG 1/28/10	1:1		dwg no	
				appd	PM ZHENG 1/28/10			51963-049	
					JOSEPH HSIA 1/28/10			sheet	
sheet index		revision sheet						2 of 4	

cage code 22526

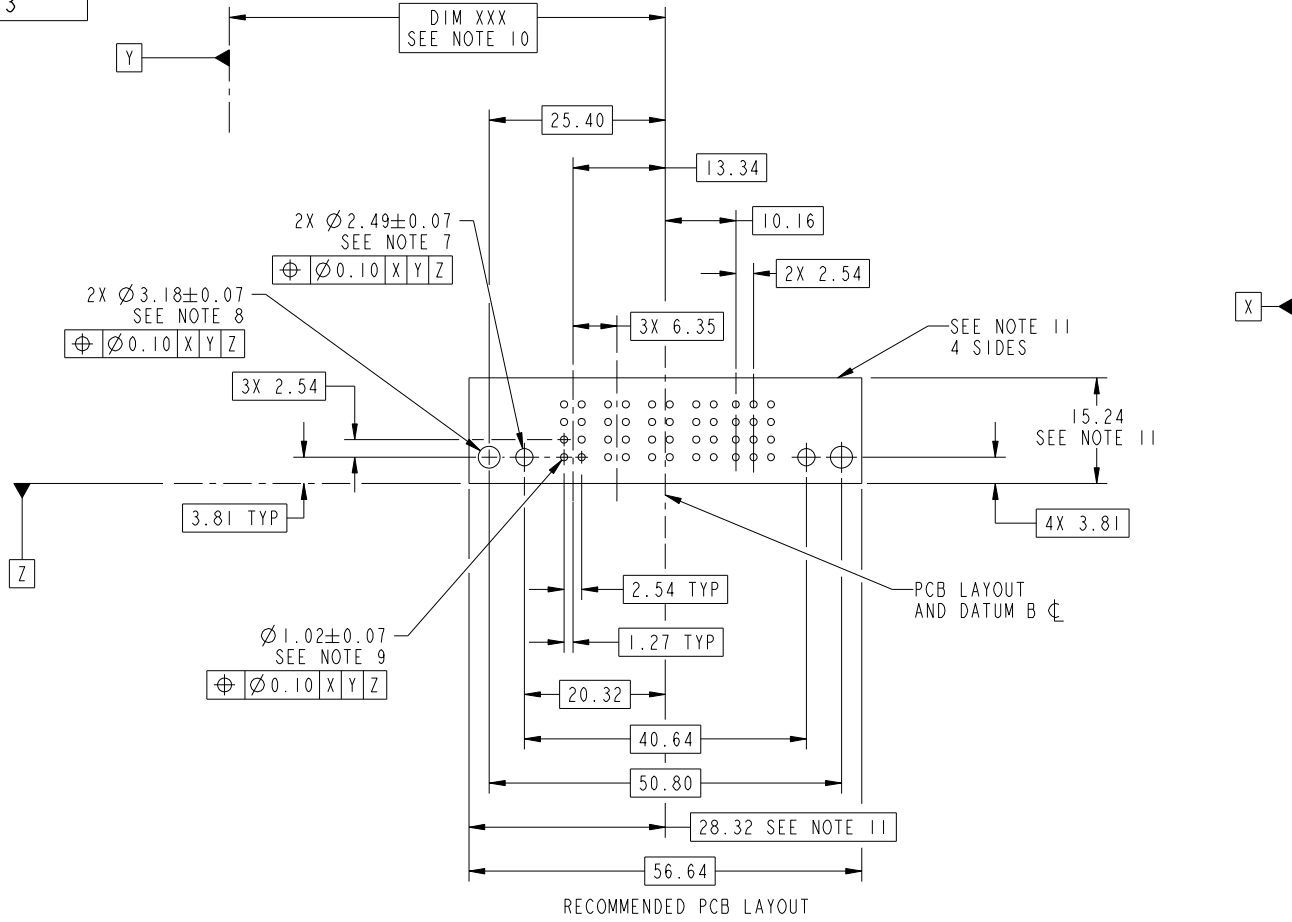
Pro/E

Tous droits strictement reserves. Reproduction ou communication a des tiers interdite sous quelque forme que ce soit sans autorisation écrite du propriétaire. Propriete de c FCI. Droits de reproduction FCI.



All rights strictly reserved. Reproduction or issue to third parties in any form whatever is not permitted without written authority from the proprietor. Property of FCI. Copyright FCI.

PRODUCT NUMBER
51963-049__
NOTE 3



mat'l code				tolerances unless otherwise specified		CUSTOMER		FCI	
ltr	ecn no.	dr	date	linear	0.X ±0.5	COPY		www.fciconnect.com	
A				linear	0.XX ±0.25	projection	title		
				angles	0.XXX ±0.1			4P + 12S VERTICAL STB HEADER	
				dr	0° ±2°			product family	PwrBlade
				enr	WL ZHANG 1/28/10	scale	size	dwg no	code
				chr	WL ZHANG 1/28/10	1:1	A	51963-049	213
				appd	PM ZHENG 1/28/10				sheet
					JOSEPH HSIA 1/28/10				3 of 4
sheet index	revision sheet								

RECOMMENDED PCB LAYOUT

Pro/E

cage code 22526

Tous droits strictement reserves. Reproduction ou communication a des tiers interdite sous quelque forme que ce soit sans autorisation écrite du propriétaire. Propriete de c FCI. Droits de reproduction FCI.



All rights strictly reserved. Reproduction or issue to third parties in any form whatever is not permitted without written authority from the proprietor. Property of FCI. Copyright FCI.

PRODUCT NUMBER		51963-049-- NOTE 3	
NOTES:			
1. DIMENSIONS AND TOLERANCES ARE IN ACCORDANCE WITH ASME Y14.5M, 1994 UNLESS OTHERWISE SPECIFIED.			
CONNECTOR NOTES:			
2	HOUSING MATERIAL: UL 94 V-0 GLASS FILLED HIGH-TEMP THERMOPLASTIC POWER CONTACT MATERIAL: COPPER ALLOY SIGNAL PIN MATERIAL: COPPER ALLOY		
3	PLATING: SEE ITEM 1 & 2 IN PRINT 10064183 FOR PLATING SPEC OF 51963-049; 51963-049LF PRESPECTIVELY		
4	MANUFACTURER'S NAME, DATE CODE AND OPTIONAL P/N TO APPEAR ON THIS SURFACE. THE P/N CAN BE OMITTED IF THERE IS NOT ENOUGH SPACE ON THIS SURFACE.		
5	PRODUCT SPECIFICATION GS-12-149. APPLICATION SPECIFICATION BUS-20-067.		
6	PACKAGED IN TRAYS.		
PCB NOTES:			
7	ALL HOLE DIAMETERS ARE FINISHED HOLE SIZE.		
8	MOUNTING HOLES, WHERE APPLICABLE, ARE UNPLATED.		
9	Ø1.151±0.025 DRILLED HOLES PLATED WITH 0.008 MIN SnPb OR Sn OVER .001 [0.03] TO 0.08 Cu PLATING TO ACHIEVE Ø1.02±.07 HOLE.		
10	"DIM XXX" TO BE DETERMINED BY THE CUSTOMER.		
11	CONNECTOR KEEP-OUT ZONE.		
sheet index		revision sheet	

mat'l code		tolerances unless otherwise specified		CUSTOMER		FCI	
ltr	ecn no.	dr	date	COPY		www.fciconnect.com	
A				linear	0.X ±0.5	projection	title
					0.XX ±0.25		4P + 12S VERTICAL STB HEADER
				angles	0.XXX ±0.1		product family
				dr	0° ±2°	size	code
				enr	WL ZHANG 1/28/10	dwg no	213
				chr	WL ZHANG 1/28/10	A	51963-049
				appd	PM ZHENG 1/28/10		
					JOSEPH HSIA 1/28/10	scale	
						1:1	

cage code 22526

Pro/E