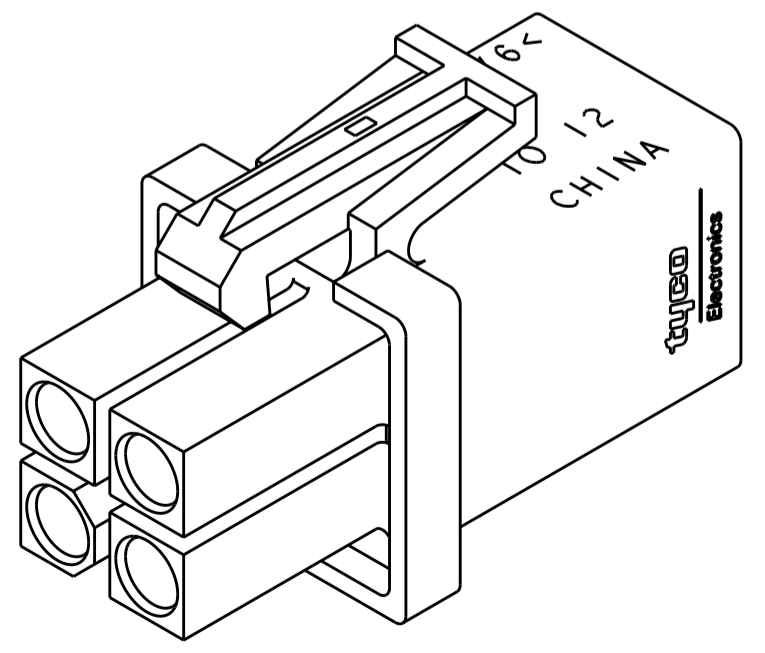
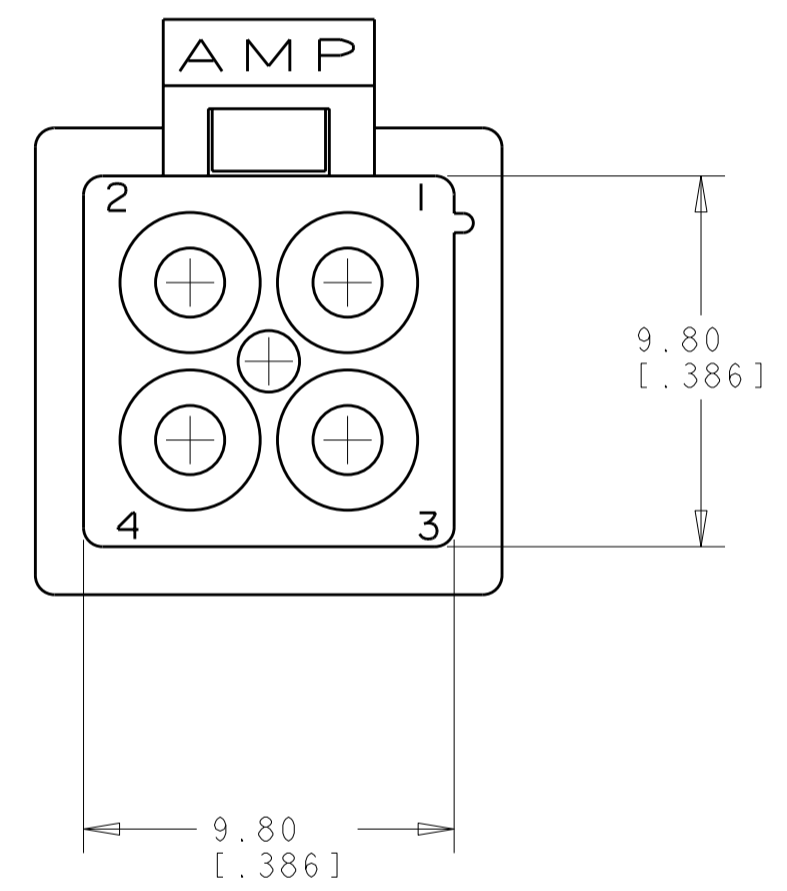
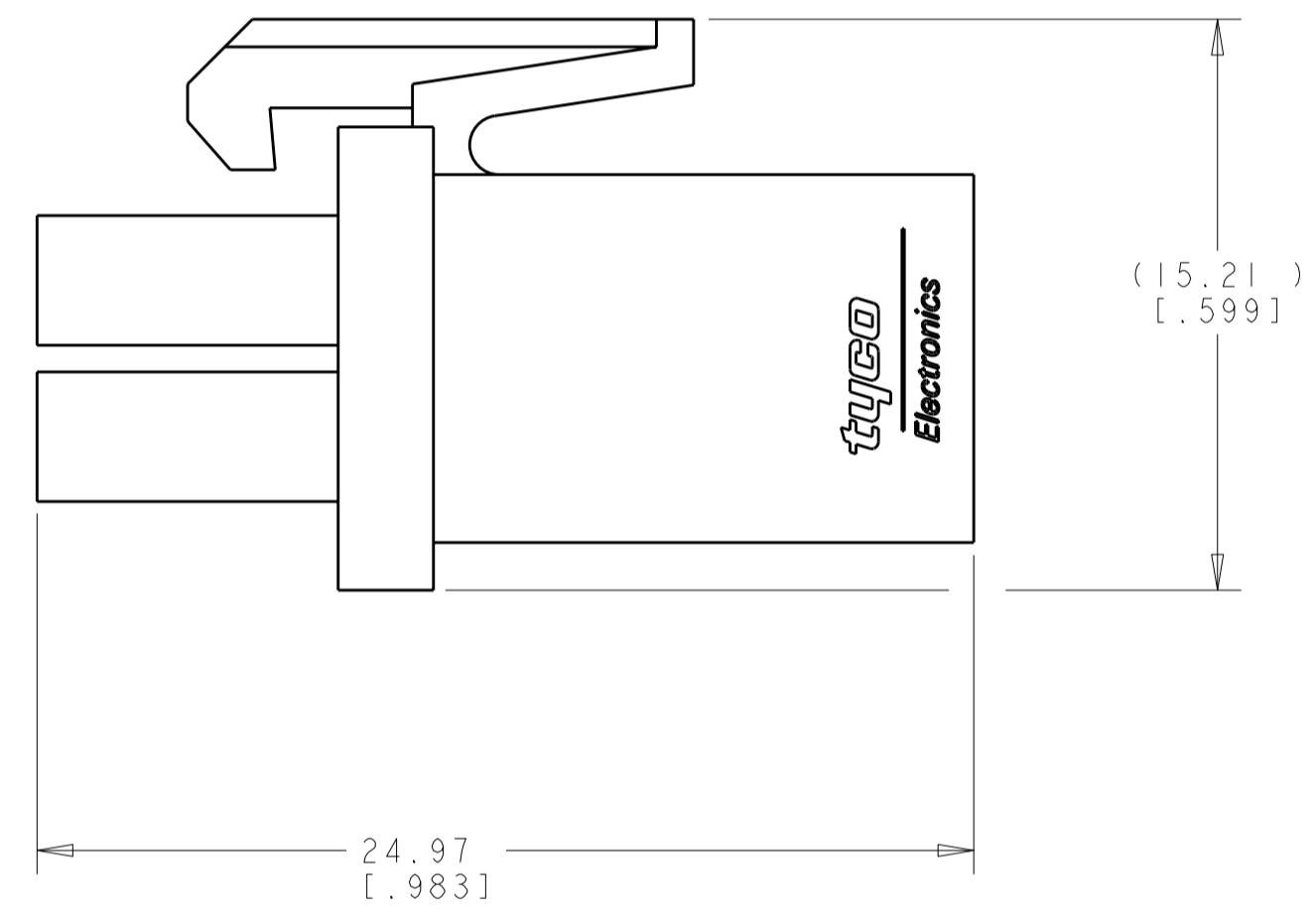
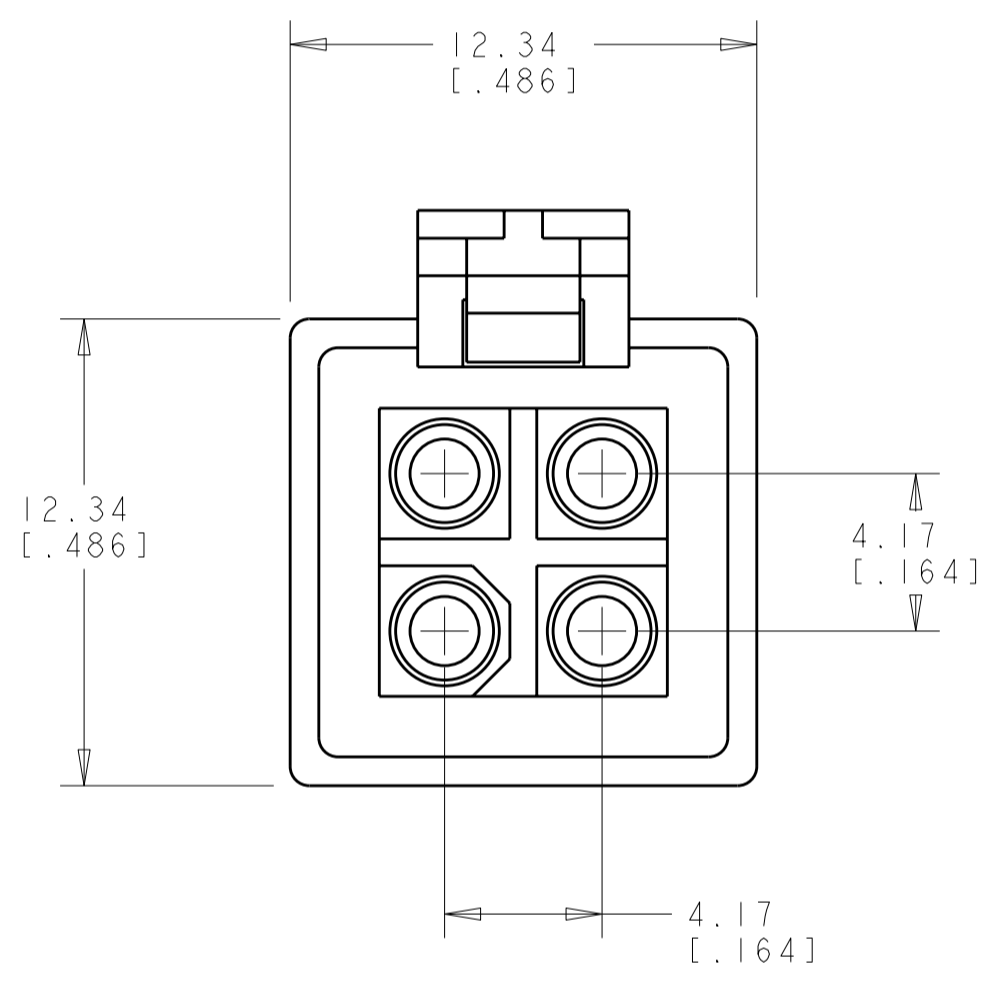


THIS DRAWING IS UNPUBLISHED. RELEASED FOR PUBLICATION 20
 © COPYRIGHT 20 BY - ALL RIGHTS RESERVED.

LOC	DIST	REVISIONS			
P	LTR	DESCRIPTION	DATE	DWN	APVD
CM	00	B1	REVISED PER ECO-11-005027	16MAR2011	RK HMR

1. DIMENSIONS IN BRACKETS ARE IN INCHES.



3 DIMENSIONAL MODEL
 SCALE 4:1

METRIC

794805-1
 PART NUMBER

THIS DRAWING IS A CONTROLLED DOCUMENT.		DWN K. WHITAKER	LOMAY2000	 TE Connectivity
DIMENSIONS: mm [INCHES]		CHK K. COBLE	TOMAY2000	
TOLERANCES UNLESS OTHERWISE SPECIFIED:		APVD K. COBLE	TOMAY2000	
0 PLC ± 1 PLC ± 2 PLC ±0.13 [.005] 3 PLC ± 4 PLC ± ANGLES ±0° 30'		PRODUCT SPEC		
MATERIAL NYLON, UL94V-0, WHITE		APPLICATION SPEC		NAME PLUG, 4 CIRCUIT, MINI UNIVERSAL MATE-N-LOK(TM)
WEIGHT				SIZE A2
CUSTOMER DRAWING				CAGE CODE 00779
SCALE 5:1				DRAWING NO 794805
SHEET 1 OF 1				RESTRICTED TO -
REV B1				