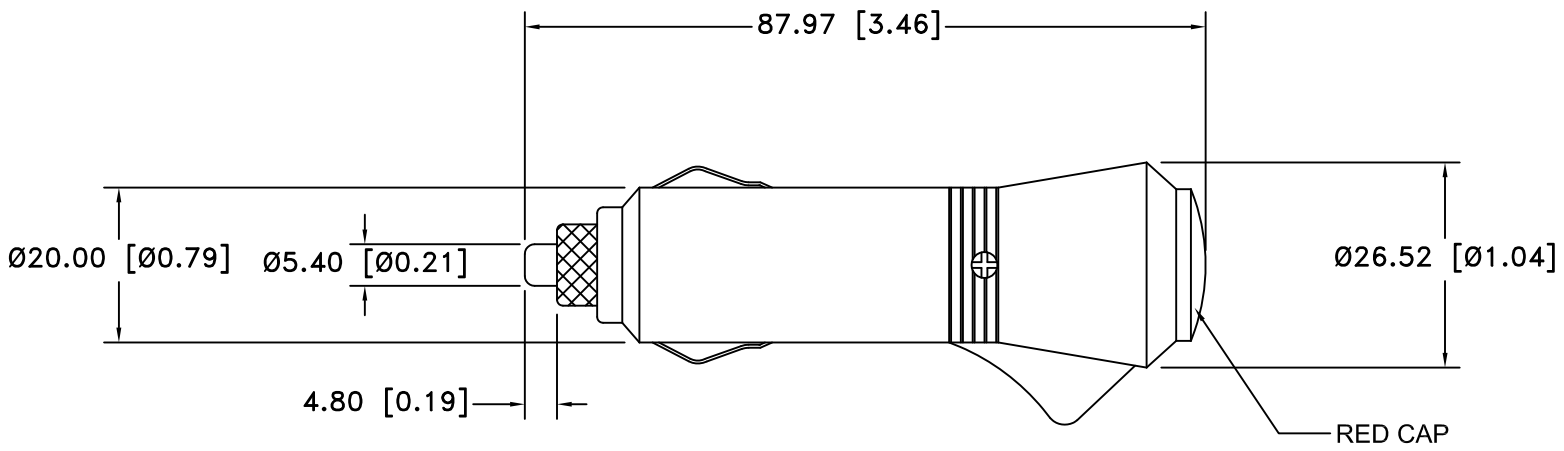



Date	SYM	REVISION RECORD	AUTH	DR.	CK.



NOTE:  
 CASING: ABS  
 CAP: ABS  
 NEG. TERMINAL: STEEL, NICKEL PLATED  
 TIP: BRASS, NICKEL PLATED  
 FUSE: 2AMP., 250V

Tolerance (Except as noted)	 <b>Memory Protection Devices, Inc</b> 200 Broad Hollow Road, Farmingdale, New York 11735	Scale	Drawn By B.S.
decimal ±.5 (.020)			Approved By T.B.
Fractional ± .8 (.030)	Title AUTO PLUG		
Angular ± 3°	Date 06/04/10	Drawing Number AP130	