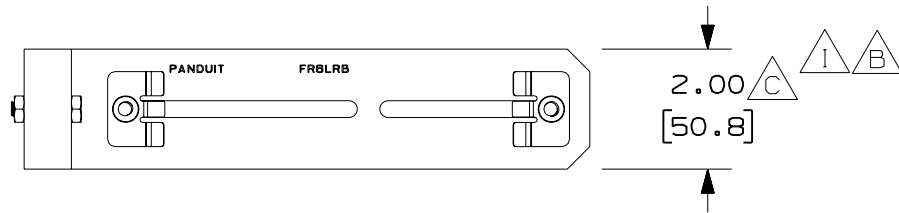
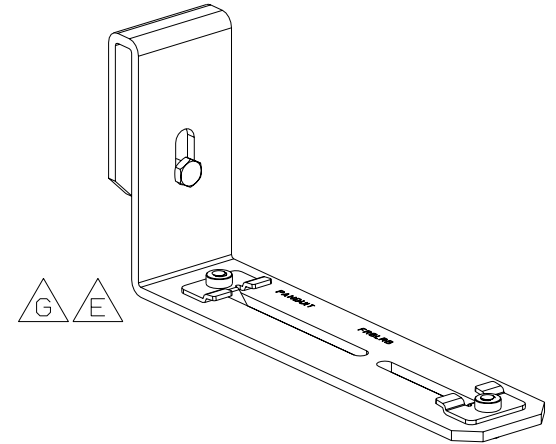
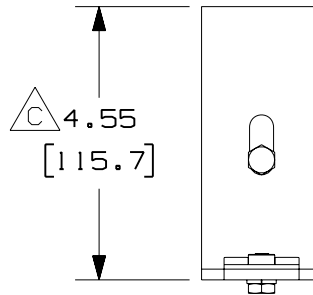
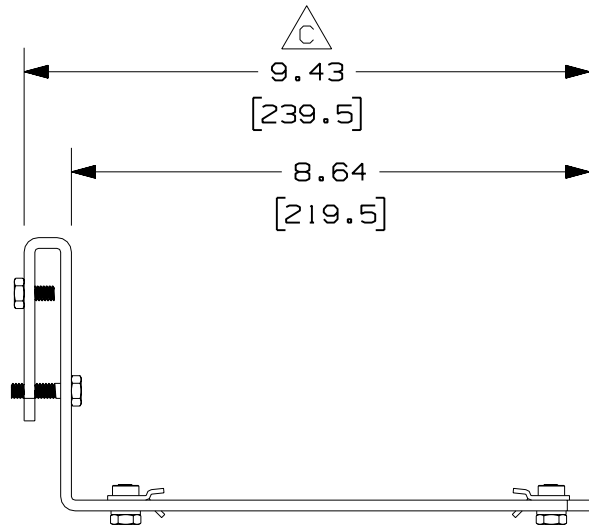


PANDUIT PART NUMBER	WEIGHT
FR6LRB	1.63 LB/EACH (738g/EACH)



NOTES:

1. SEE CURRENT CATALOG FOR ADDITIONAL PART SUFFIXES TO INDICATE PACKAGE QUANTITY.
2. THE FIBERRUNNER 4x4 AND 6x4 QUIKLOCK LADDER RACK BRACKET IS USED TO SUPPORT THE FIBERRUNNER 4x4 AND/OR 6x4 CABLE ROUTING SYSTEMS FROM A 3/8"x1 1/2" (9.5x38.1) OR A 3/8"x2" (9.5x50.8) LADDER RACK STRINGER WITHOUT THE USE OF THREADED ROD.
3. THE FIBERRUNNER 4x4 AND 6x4 QUIKLOCK LADDER RACK BRACKET INCLUDES:
ONE (1) BRACKET ASSEMBLY.
4. FINISH COLOR: BLACK (EXCEPT FOR HARDWARE)
5. DIMENSIONS IN PARENTHESES ARE IN METRIC.



ENG. REF.: D37585BF_DC_FR6LRB_02.prt

CAD FILENAME/LAYERS	F	FR6LRB.pdf
---------------------	---	------------

REV	DATE	BY	CHK	DESCRIPTION	ECN	R	CUST	SUP	GMBH
-	-----	---	--	J. REVISED DRAWING TITLE. I. REVISED GENERAL NOTES.	-----	--	--		
2	8-1-06	DTP	RN	H. REVISED PART WEIGHT. G. REVISED PART GEOMETRY.	37585-21	RN	RN		
-	-----	---	---	F. REVISED CAD FILENAME. E. REVISED PART GEOMETRY.	-----	--	--		
-	-----	---	---	D. REMOVED LOCAL NOTE. C. RELOCATED DIMENSIONS.	-----	--	--		
1	2-17-05	MSO	RPA	B. REVISED GENERAL NOTES. A. REVISED DRAWING TITLE.	37585-21	RN	RN		
R	5-11-00	MSO	CVV	RELEASED TO PRODUCTION	37585-21	HIW	HIW		

PANDUIT CORP		TINLEY PARK, ILLINOIS	
FIBERRUNNER 4x4 AND 6x4 QUIKLOCK LADDER RACK BRACKET (FR6LRB)			
CUSTOMER DRAWING			
UNLESS OTHERWISE SPECIFIED, DIMENSIONAL TOLERANCES ARE: (.X) ± (.XXX) ± (.XX) ± .03 (.8) ANGLES ±		UNLESS OTHERWISE SPECIFIED, ALL DIMENSIONS ARE GIVEN IN INCHES, THIRD ANGLE PROJECTION.	
DRAWN BY MSO	MAT'L: STEEL	SCALE NONE	DWG A
DATE 5-11-00		DRAWING NO. 37585-21	SIZE A
CHK'D CVV			