

4

3

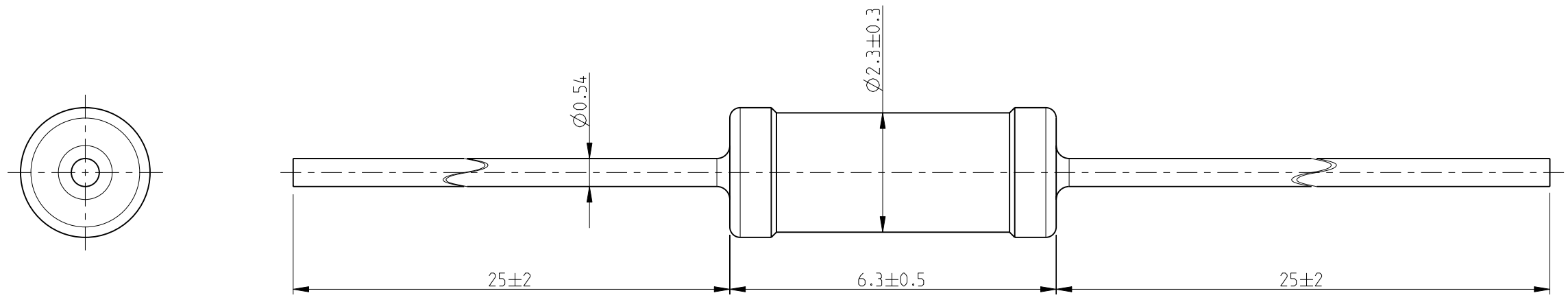
2

1

THIS DRAWING IS UNPUBLISHED. RELEASED FOR PUBLICATION 2009  
 © COPYRIGHT 2009 BY TYCO ELECTRONICS CORPORATION. ALL RIGHTS RESERVED.

LOC	DIST	REVISIONS			
P	LTR	DESCRIPTION	DATE	DWN	APVD
E	B	BA	NEW RELEASE	29-JUL-09	SM St.P

FOR FURTHER INFORMATION SEE DATA SHEET FOR  
 SERIES FRN: FLAME-PROOF FUSIBLE RESISTORS



THIS DRAWING IS A CONTROLLED DOCUMENT FOR TYCO ELECTRONICS CORPORATION  
 IT IS SUBJECT TO CHANGE AND THE CONTROLLING ENGINEERING ORGANIZATION  
 SHOULD BE CONTACTED FOR THE LATEST REVISION.

DIMENSIONS: mm		TOLERANCES UNLESS OTHERWISE SPECIFIED:	
		0 PLC	±0.2
		1 PLC	±0.1
		2 PLC	±-
		3 PLC	±-
		4 PLC	±-
MATERIAL -		ANGLES	±5°
		FINISH	-

DWN	SUBHASH.M	29-JUL-09
CHK	ALLAN.P	29-JUL-09
APVD	STEPHEN.P	29-JUL-09
PRODUCT SPEC	-	
APPLICATION SPEC	-	
WEIGHT	-	
CUSTOMER DRAWING		

		Tyco Electronics Corporation Dorcan, Swindon, SN3 5HH	
NAME FLAME-PROOF FUSIBLE RESISTORS SERIES FRN25			
SIZE	CAGE CODE	DRAWING NO	RESTRICTED TO
A3	00779	1625878	-
SCALE 10:1		SHEET 1 OF 1	REV BA