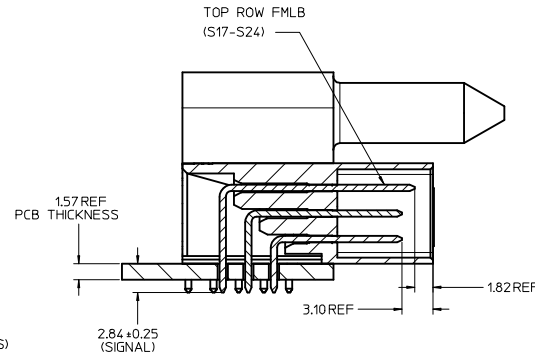
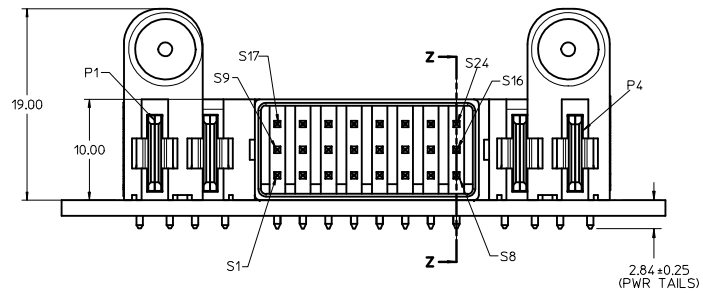
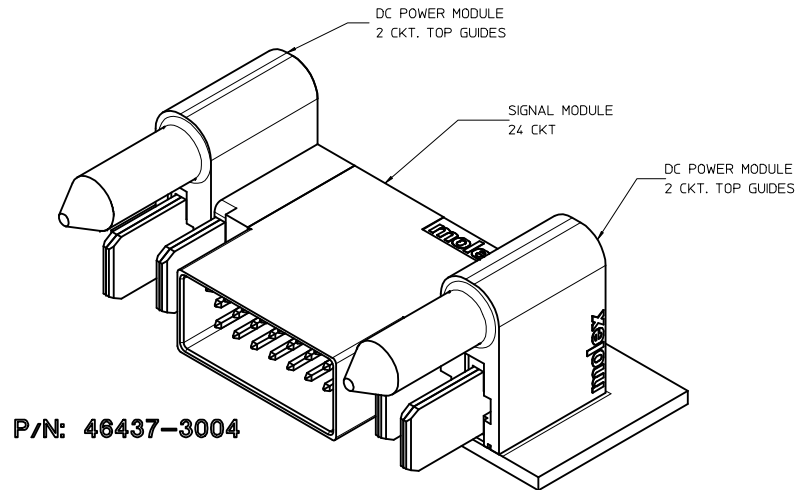
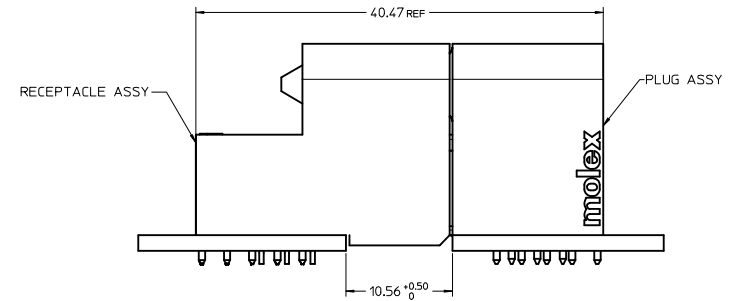


RECOMMENDED PCB LAY-OUT AND KEEP-OUT ZONE



SECTION Z-Z



- NOTES:
- MATERIAL:
    - HOUSINGS: LCP UL94, V-0, COLOR: BLACK.
    - TERMINALS: COPPER ALLOY.
    - PLATING: 0.00127 NICKEL OVERALL WITH 0.00254 SELECTIVE TIN ON SOLDER TAILS AND 0.000762 SELECTIVE GOLD ON CONTACT AREA.
  - ASSEMBLIES PACKED IN TRAYS; SPO: 180
  - PC BOARD REQUIRES SOLDER THRU HOLES, REFER TO PS-46436-100 FOR DETAILS
  - PRODUCT SPEC: PS-46436-100.
  - APPLICATION SPEC: AS-46436-100.
  - PRODUCT TO MEET RoHS REQUIREMENTS.
  - ASSEMBLY MATES TO MOLEX RECEPTACLE ASSEMBLY P/N 46436-3004 OR 46562-3004.

RELEASED INITIAL BEEBEE@25.46 D 2009/05/05 DRWN:JULIES CHKD:JKOH APPR:APATEL 2009/05/05	QUALITY SYMBOLS DESCRIPTION	GENERAL TOLERANCES (UNLESS SPECIFIED)		DIMENSION STYLE MM ONLY		SCALE NTS	DESIGN UNITS METRIC	THIRD ANGLE PROJECTION		
		4 PLACES ± --- ± ---	3 PLACES ± --- ± ---	2 PLACES ± 0.25 ± ---	1 PLACE ± 0.25 ± ---	ANGULAR ± 1/2°	DRAWN BY KJKOH	DATE 2009/03/11	CHECKED BY KJKOH	DATE 2009/03/11
		DRAFT WHERE APPLICABLE MUST REMAIN WITHIN DIMENSIONS			MATERIAL NO. 46437-3004	DOCUMENT NO. SD-46437-304	MOLEX INCORPORATED			
		SIZE A				THIS DRAWING CONTAINS INFORMATION THAT IS PROPRIETARY TO MOLEX INCORPORATED AND SHOULD NOT BE USED WITHOUT WRITTEN PERMISSION				