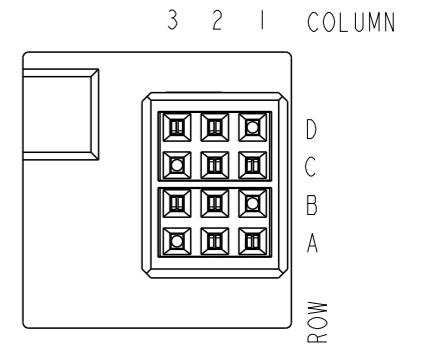
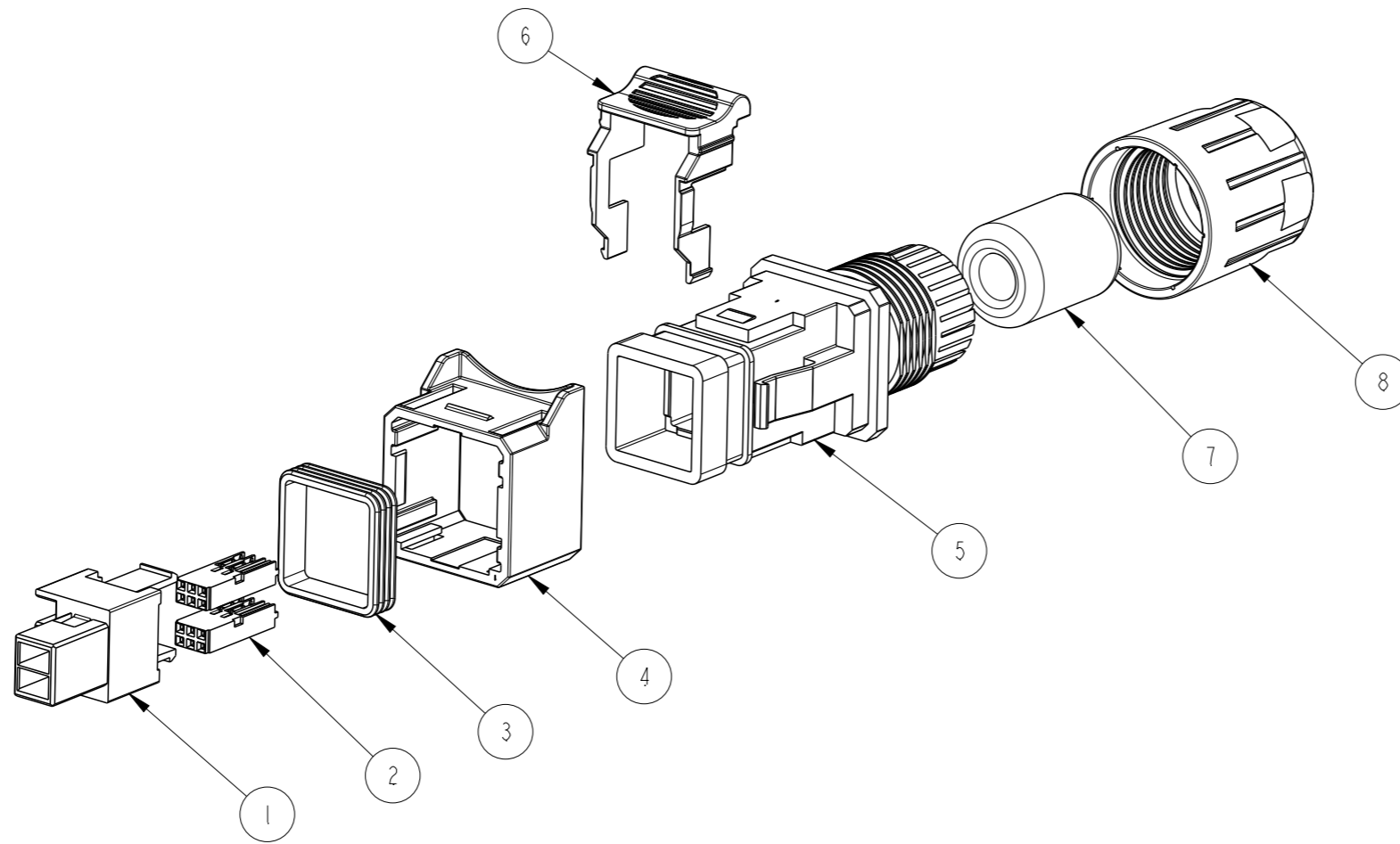


PART NUMBER  
SEE TABLE IN SHEET 2

VERIO PLUG KIT , 8, 10, 12 POS SIGNAL, FIELD  
TERMINABLE, PITCH 26 MM

CONNECTOR FRONT VIEW



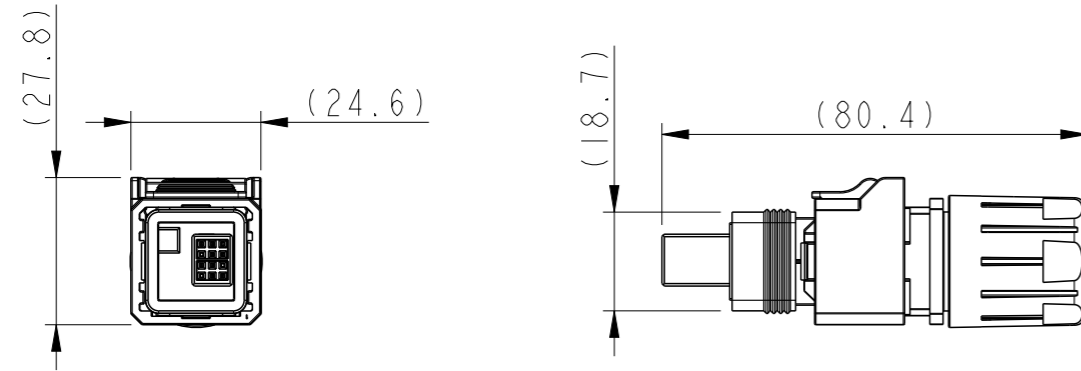
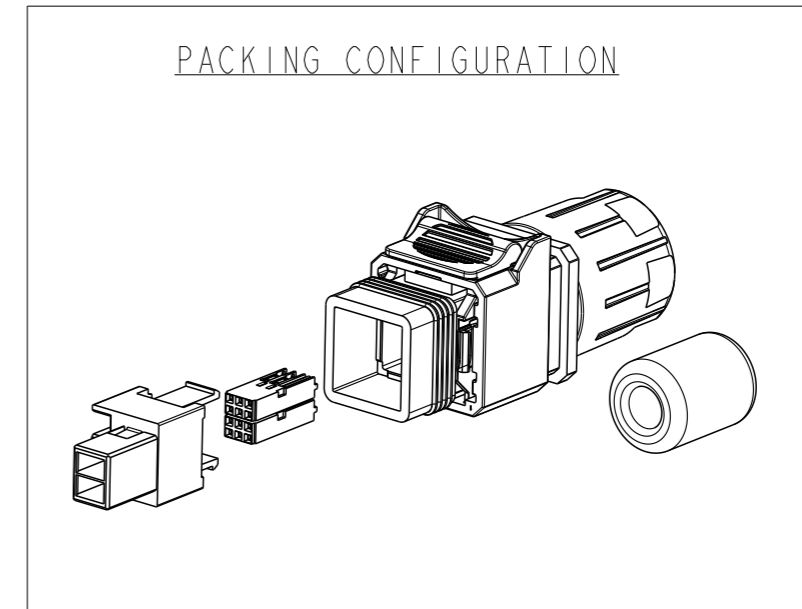
SL NO.	DESCRIPTION	MATERIAL	QTY	REMARKS
1	HOUSING	PBT	1	
2	TERMINAL BLOCK ASSEMBLY	PBT+COPPER ALLOY	2	
3	SEAL	SILICON	1	
4	SLIDE	PBT GF	1	
5	HOLDER	PBT GF	1	
6	SECONDARY LOCK	PBT GF	1	
7	GLAND	SILICON	1	
8	NUT	PBT GF	1	

spec ref		dr	Jibin John	2017/09/26	projection	mm	size	A3	scale	3:10	
tolerance std		eng	B T Varghese	2017/11/24			ecn no		ELX-I-28591-1		
ISO 406		chr	-	-			rel level		Released		
ISO 1101		TOLERANCES UNLESS OTHERWISE SPECIFIED		appr	K-Paul Bijju	2017/11/24	product family		VERIO		
surface		linear	0.X	±0.3	<b>Amphenol FCI</b>	SIGNAL PLUG KIT- 8,10,12 POS VERIO	dwg no 10143486	rev B	cat. no.		-
			0.XX	±0.13					Product - Customer Drw		
			0.XXX	±0.05					sheet 1 of 2		
ISO 1302		angular	0°	±2°	Product - Customer Drw		sheet 1 of 2				

Amphenol  
FCi

© 2016 AFCI

AFCI PART NO	ROW	COLUMN 3	COLUMN 2	COLUMN 1
10143486-101LF	D	X	X	-
	C	-	X	X
	B	X	X	-
	A	-	X	X
10143486-102LF	D	X	X	X
	C	-	X	X
	B	X	X	X
	A	-	X	X
10143486-103LF	D	X	X	X
	C	X	X	X
	B	X	X	X
	A	X	X	X



NOTES:

- 1. ALL PARTS WILL BE SUPPLIED IN BULK PACKING
- 2. PRODUCT SPEC - GS-12-1429
- 3. APPLICATION SPEC - GS-20-0523

Amphenol FCI

© 2016 AFCI

spec ref		dr	Jibin John	2017/09/26	projection	mm	size	A3	scale	3:10
tolerance std		eng	B T Varghese	2017/11/24			ecn no	ELX-I-28591-1	rel level	Released
ISO 406 ISO 1101		chr	-	-						
surface	linear	0.X	±0.3	<b>Amphenol FCI</b>	SIGNAL PLUG KIT- 8,10,12 POS VERIO	dwg no 10143486	rev B			
		0.XX	±0.13							
0.XXX	±0.05									
ISO 1302	angular	0°	±2°	cat. no.	-	Product - Customer Drw	sheet 2 of 2			