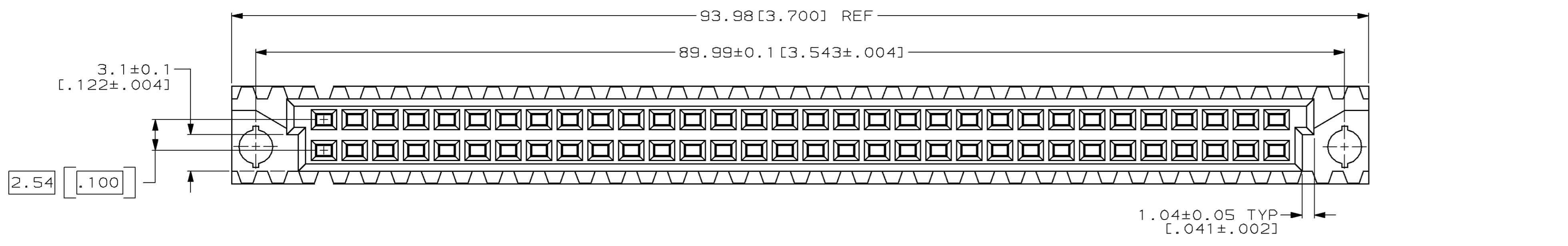
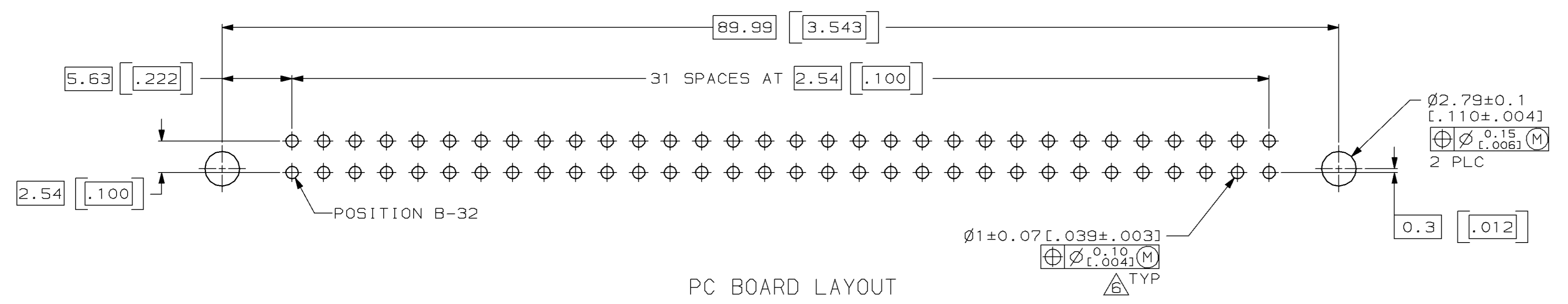
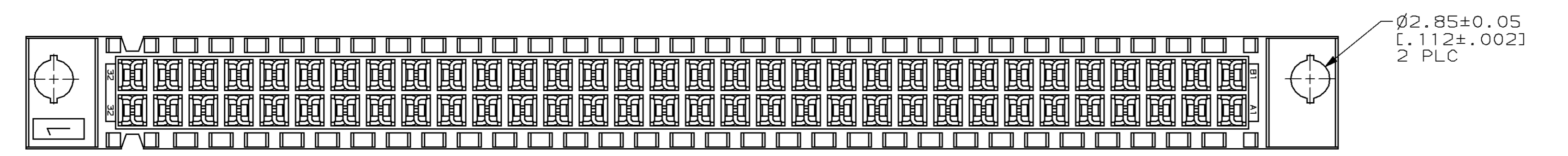
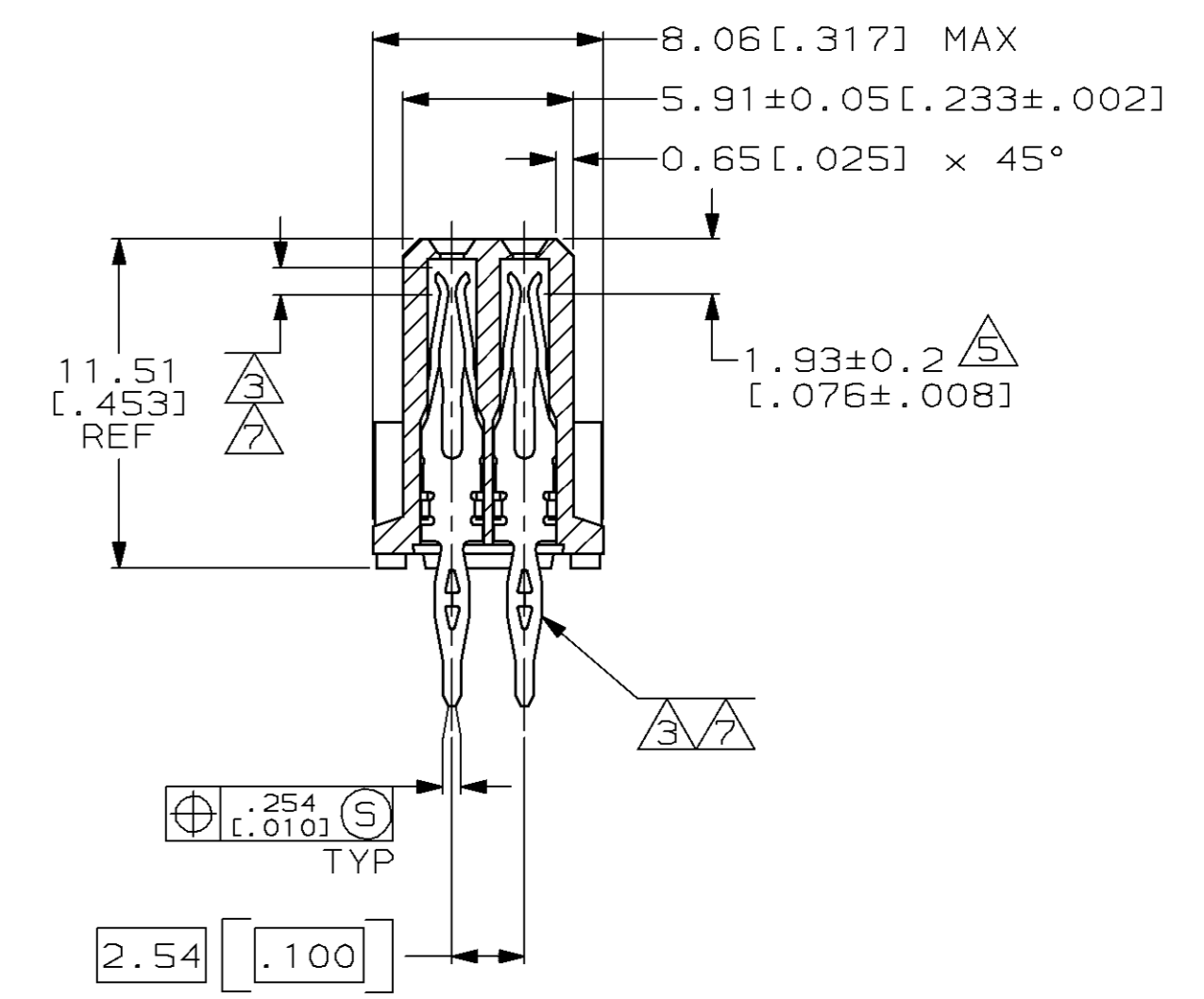
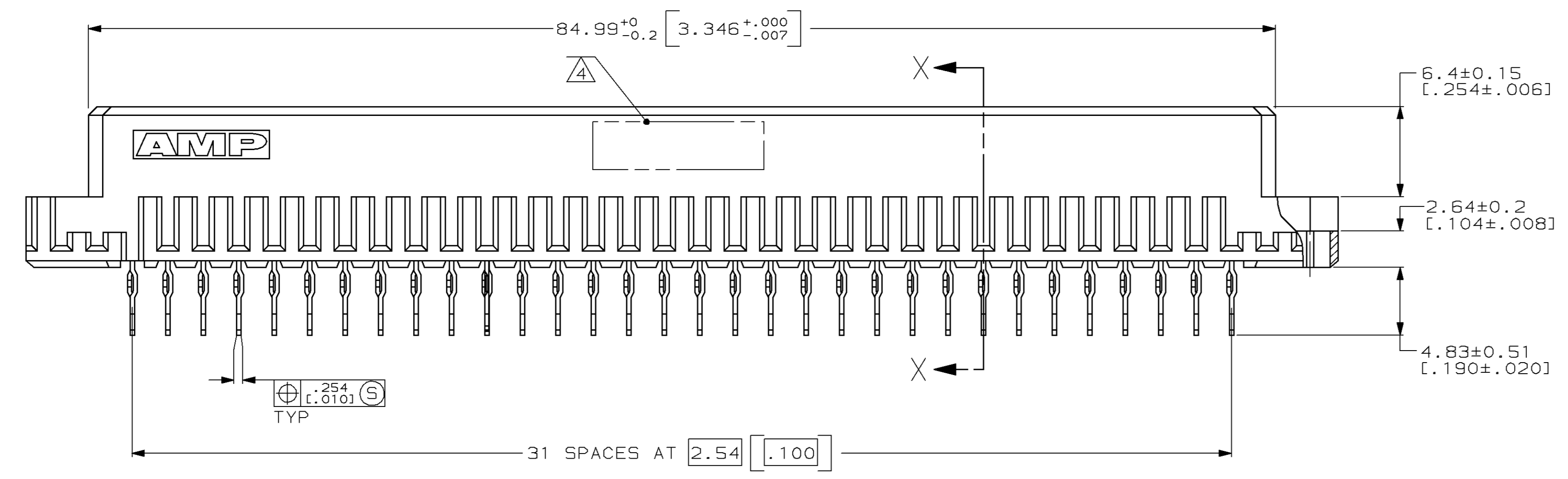


LOC		DIST		P		F		ZONE		LTR		REVISIONS			
AD	25											DESCRIPTION	DATE	APPD	
												D	EC 0010-1434-95	1/18/96	RAP
												E	EC 0010-1486-95	4/1/96	CR



- ① HOUSING MATERIAL: GLASS-FILLED POLYESTER. COLOR: GRAY.
- ② CONTACT MATERIAL: PHOSPHOR BRONZE.
- ③ CONTACT FINISH: DIN 41612 CLASS 2 IN CONTACT AREA. NICKEL UNDERPLATE ALL OVER. TIN-LEAD ON POSTS.
- ④ PART NUMBER, DATE CODE IDENTIFICATION, CSA LOGO IN THIS APPROXIMATE AREA, ON REVERSE SIDE.
- ⑤ POINT OF MEASUREMENT FOR GOLD.
- ⑥ ACTION PIN POSTS REQUIRE 1.57 [0.062] MINIMUM THICK PC BOARD. RECOMMENDED PC BOARD HOLES ARE Ø1.151 ± 0.02 [0.0453 ± .001] DRILLED HOLES WITH 0.02-0.07 [0.001-.003] COPPER AND 0.008 [0.0003] MINIMUM TIN-LEAD PLATING. FINISHED HOLES AFTER PLATING, Ø0.94-1.09 [0.037-.043].
- ⑦ CONTACT FINISH: DIN 41612 CLASS 3 IN CONTACT AREA. NICKEL UNDERPLATE ALL OVER. TIN-LEAD ON POSTS.



OBSOLETE	NOTE	POSITIONS LOADED		NO. OF LOADED POSITION	ASSY PART NUMBER
		B	A		
		1 THRU 32	X X	64	650865-9
		1 THRU 32	X X	64	650865-5
		1 THRU 32	X X	64	650865-4

DO NOT SCALE PRINT. UNLESS SPECIFIED DIMENSIONS IN mm [INCHES]. TOLERANCES ON: 1 PLC DEC ± - 2 PLC DEC ± 0.13 [.005] ANGLES ± -	DR L. BRINER 6/27/90 CHK J. BROWN 7/18/90 APPD J. BROWN 7/18/90 MATERIAL HSG CONT	NAME RECEPTACLE ASSEMBLY, EUROCARD, TYPE "B"
FINISH CONT	APPLICATION SPEC WEIGHT	SIZE D 00779 SCALE 4:1
		DRAWING NO 650865 SHEET 1 OF 1

