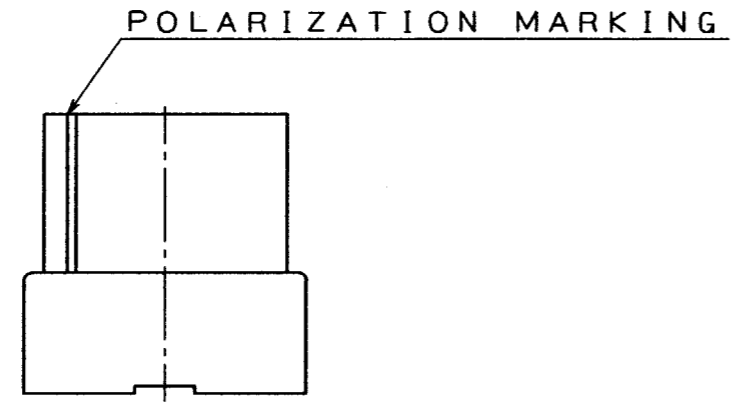
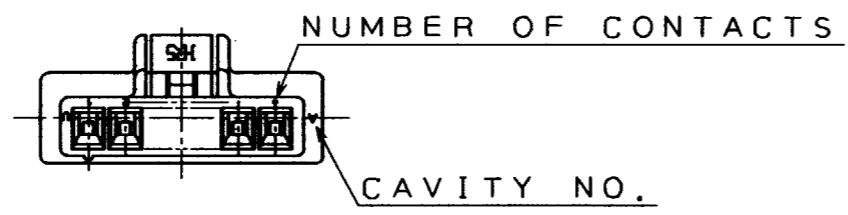
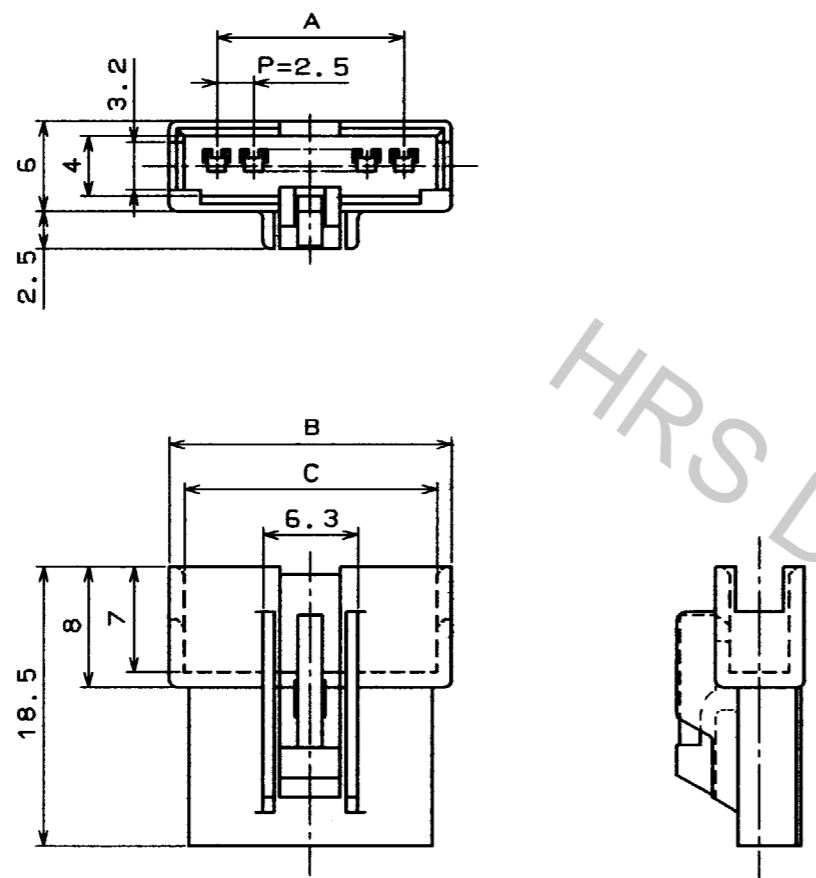


COUNT	DESCRIPTION OF REVISIONS	BY	CHKD	DATE	COUNT	DESCRIPTION OF REVISIONS	BY	CHKD	DATE
△				..	△				..
△				..	△				..
△				..	△				..



UNIT: (mm)

HRS NO.	PART NO.	A	B	C
CL541-0332-7	DF1B- 2EP-2.5RC	2.5	8.9	6.7
CL541-0333-0	DF1B- 3EP-2.5RC	5.0	11.4	9.2
CL541-0334-2	DF1B- 4EP-2.5RC	7.5	13.9	11.7
CL541-0335-5	DF1B- 5EP-2.5RC	10.0	16.4	14.2
CL541-0336-8	DF1B- 6EP-2.5RC	12.5	18.9	16.7
CL541-0337-0	DF1B- 7EP-2.5RC	15.0	21.4	19.2
CL541-0338-3	DF1B- 8EP-2.5RC	17.5	23.9	21.7
CL541-0339-6	DF1B- 9EP-2.5RC	20.0	26.4	24.2
CL541-0340-5	DF1B-10EP-2.5RC	22.5	28.9	26.7
CL541-0341-8	DF1B-11EP-2.5RC	25.0	31.4	29.2
CL541-0342-0	DF1B-12EP-2.5RC	27.5	33.9	31.7
CL541-0343-3	DF1B-13EP-2.5RC	30.0	36.4	34.2

TO

1		POLYAMIDE		NATURAL(WHITE) UL94V-0	
NO.	MATERIAL	FINISH, REMARKS	NO.	MATERIAL	FINISH, REMARKS
CODE NO. (OLD)			DRAWN	DESIGNED	CHECKED
			<i>M. Gotoh</i>	<i>M. Gotoh</i>	<i>J. Oma</i>
			'94. 3. 24	'94. 3. 24	'94. 3. 25
			APPROVED	RELEASED	
			<i>M. Yamamoto</i>		
			'94. 3. 25		
DRAWING NO.		PART NO.			
EDC3-160055-01		DF1B-*EP-2.5RC			
SCALE		UNITS		CODE NO.	
2 : 1		mm		0332 7	
HRS		HIROSE ELECTRIC CO., LTD.		CL541- 0343 - 3	
				1	
				1	

