

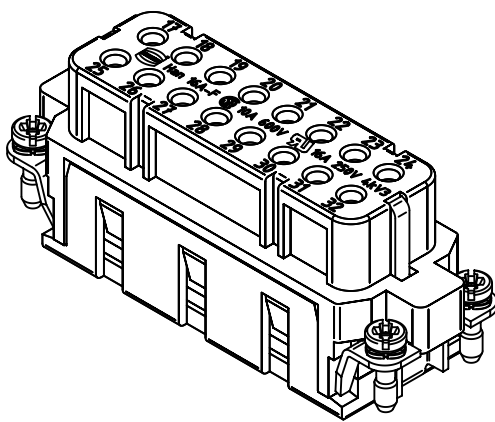
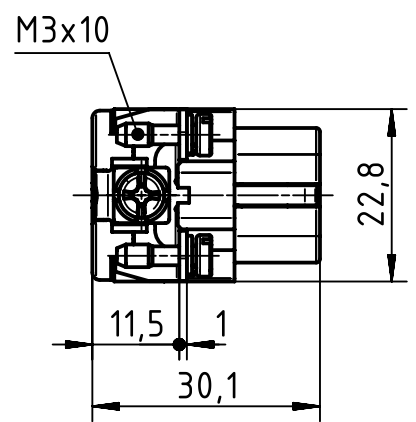
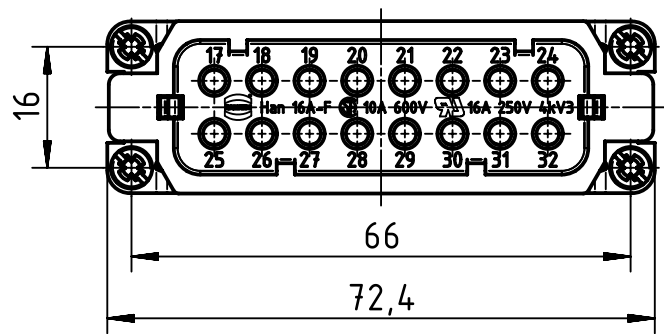
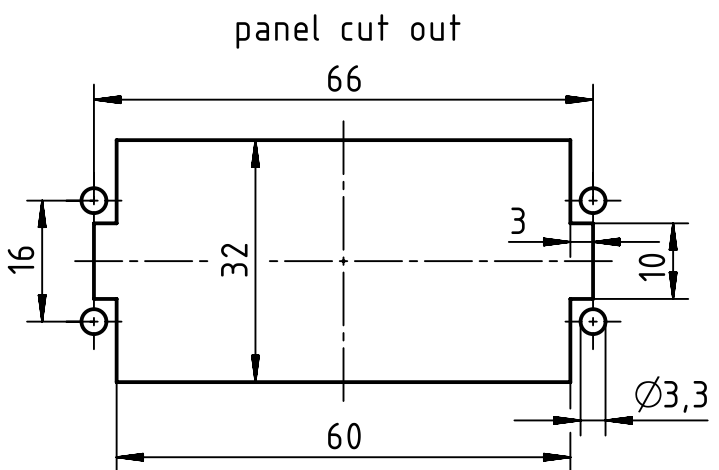
1 2 3 4 5 6

A

B

C

D



	All Dimensions in mm Original Size DIN A4		Scale 1:1	Free size tol.		Ref.	
	All rights reserved Department EL PD - DE		Created by SPRENB	Inspected by BERGHORN	Standardisation TIEMANNA	Date 2015-09-18	State Final Release
HARTING Electric GmbH & Co. KG D-32339 Espelkamp			Title Han A 16 Pos. F Insert Crimp			Doc-Key / ECM-Nr. 100629103/UGD/012/A 500000091602	
			Type TB	Number 09 20 016 3111		Rev. A	Page 1/1