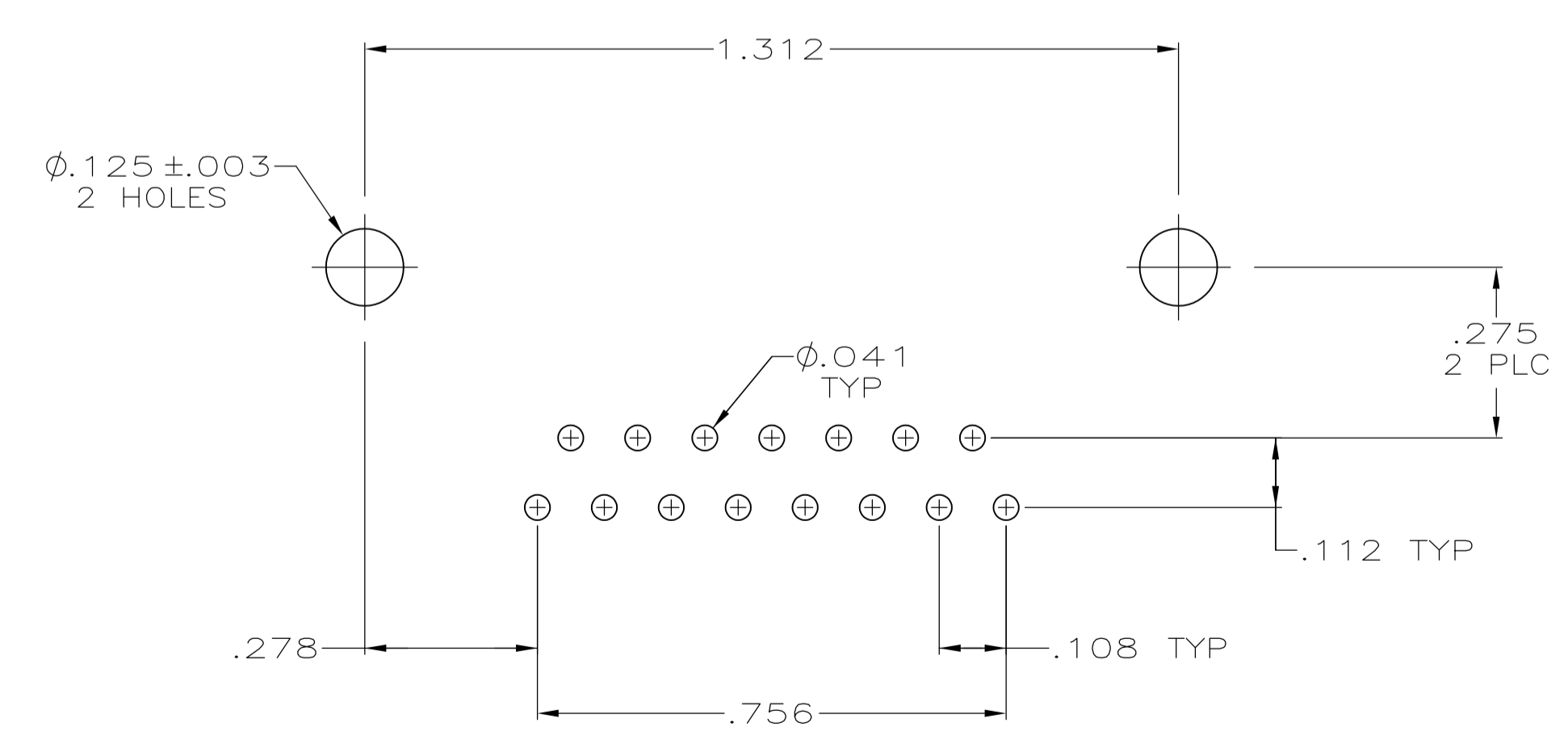
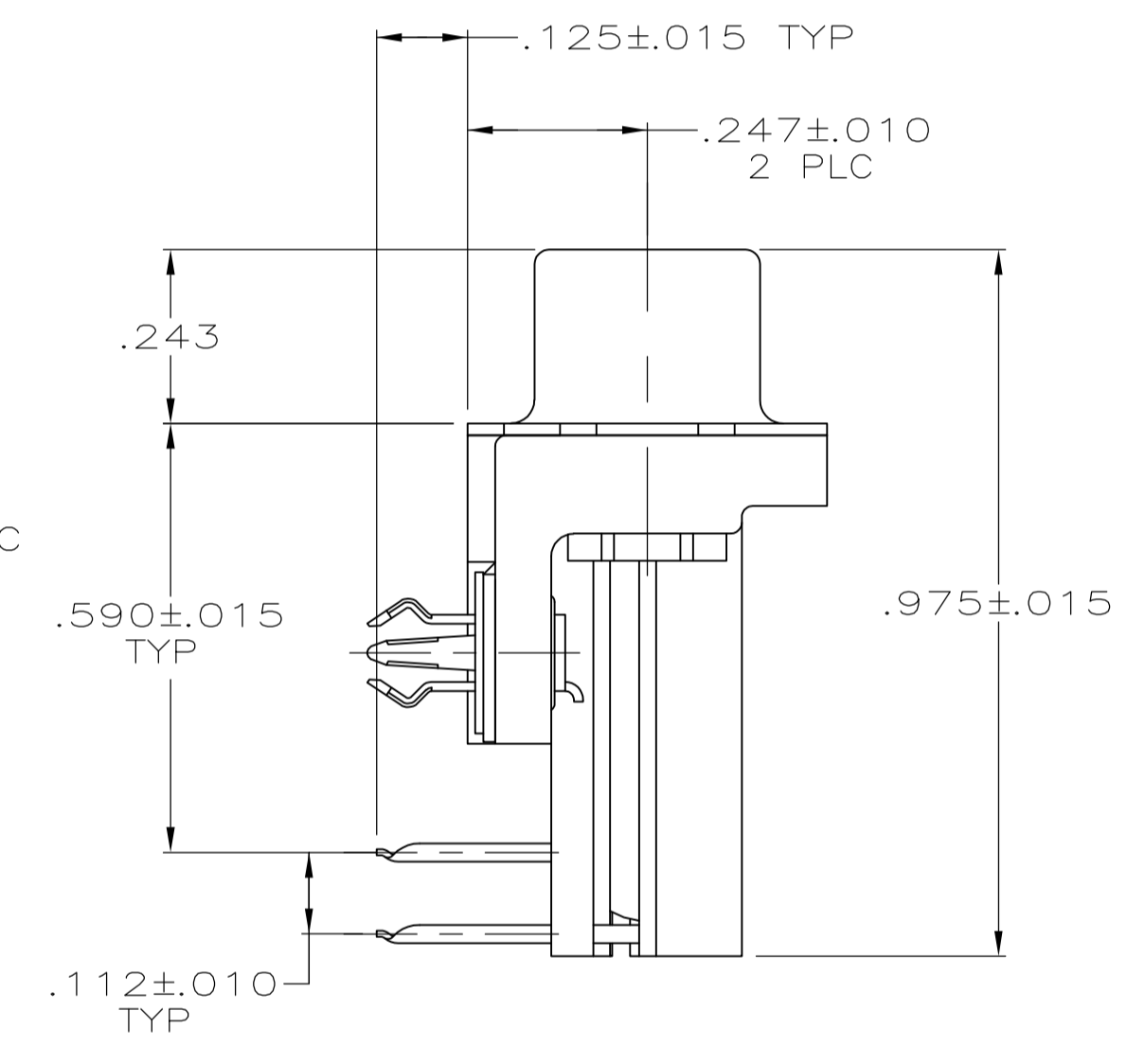
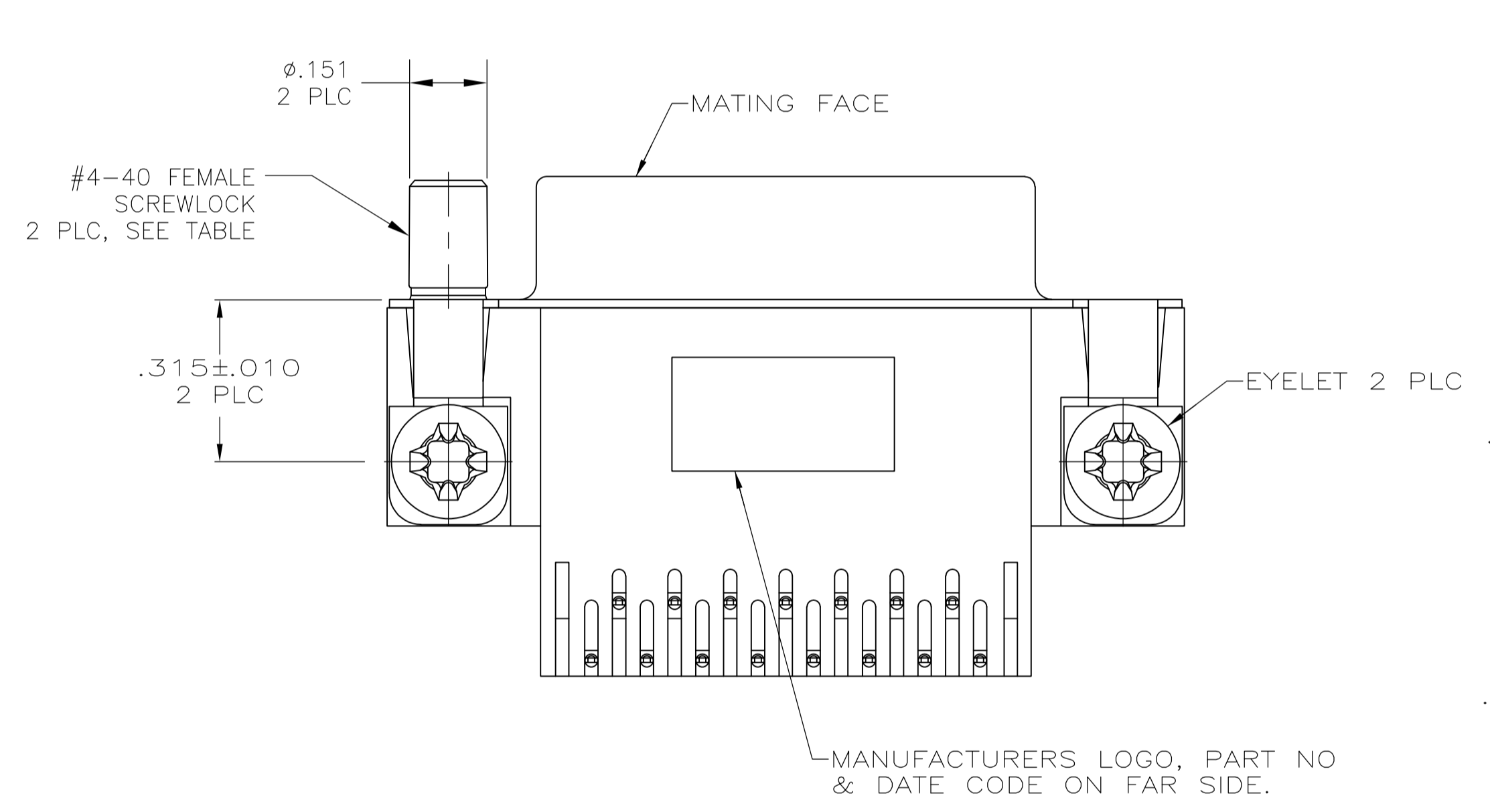
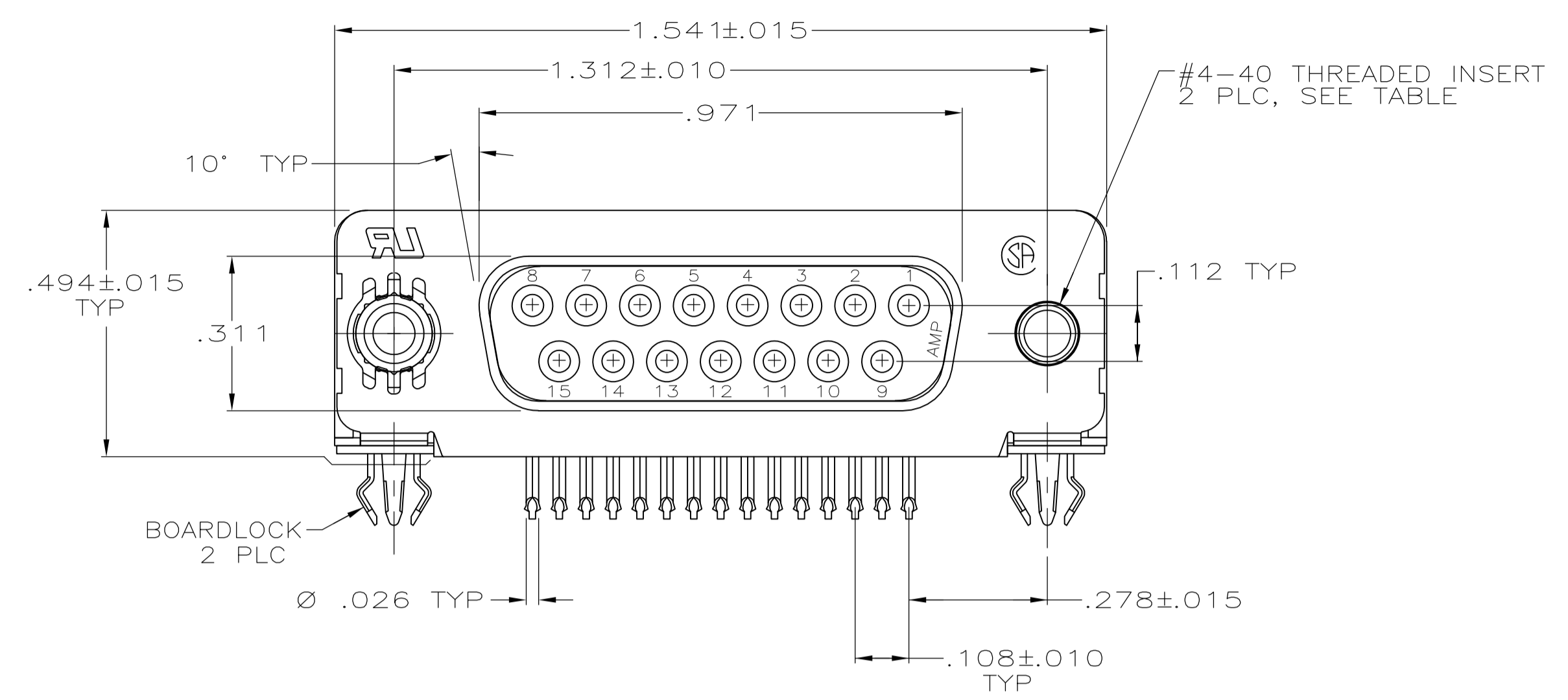


LOC		DIST		REVISIONS			
P	LTR	DESCRIPTION	DATE	DN	APVD		
B		REVISED PER ECO-13-000922	22FEB2013	BMM	SLB		



- 1 HOUSING: FLAME RETARDANT, 94V-0 RATED, THERMOPLASTIC, BLACK.
SHELL: CARBON STEEL.
CONTACTS: PHOSPHOR BRONZE.
EYELETS: BRASS.
INSERTS & SCREWLOCKS: ZINC.
BOARDLOCKS: COPPER ALLOY.
- 2 SHELL: .000100 MIN TIN OVER .000050 MIN COPPER.
CONTACTS: .000030 MIN GOLD FOR A DISTANCE OF .100 MIN FROM MATING END, .000100 MIN TIN ON TERMINATION END, ALL OVER .000050 MIN. NICKEL ON ENTIRE CONTACT.
EYELETS: .000100 MIN TIN OVER COPPER FLASH.
BOARDLOCKS: .000150 MIN TIN OVER .000050 MIN NICKEL.
INSERTS & SCREWLOCKS: CLEAR CHROMATE.

OBSOLETE	FEMALE SCREWLOCKS	5747837-6
	THREADED INSERT	5747837-4
	MOUNTING HARDWARE	PART NUMBER

**COPYRIGHT 2005
TYCO ELECTRONICS CORP
ALL RIGHTS RESERVED**

THIS DRAWING IS A CONTROLLED DOCUMENT. DIMENSIONING AND TOLERANCING PER ASME Y14.5M-2009.

DIMENSIONS:	TOLERANCES UNLESS OTHERWISE SPECIFIED:	DIN	G. ATTADIA - 04-11-05
INCHES		CHK	S. BOLASH - 04-11-05
	0 PLC ± -	APPD	M. WALMSLEY 04-11-05
	1 PLC ± -	NAME	RECEPTACLE ASSEMBLY, SIZE 2,
	2 PLC ± -	PRODUCT SPEC	RIGHT ANGLE, .590 SERIES, FRONT METAL SHELL,
	3 PLC ± .005	APPLICATION SPEC	.026 DIA POSTS, BOARDLOCKS, AMPLIMITE HD-20
	4 PLC ± -	SIZE	114-40010
	ANGLES ± °	WEIGHT	—
MATERIAL	FINISH	SCALE	4:1
		SHEET	1 OF 1
		REV	B

CUSTOMER DRAWING