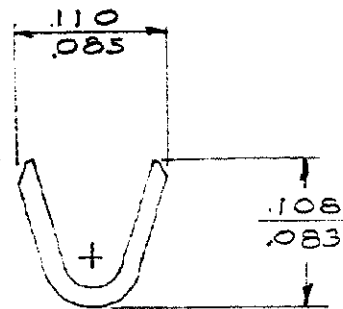
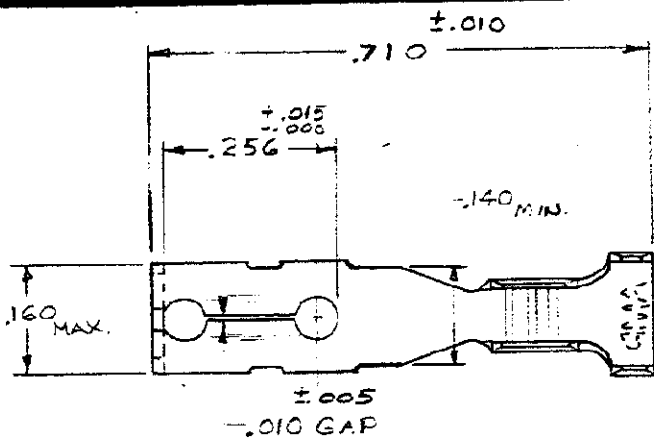
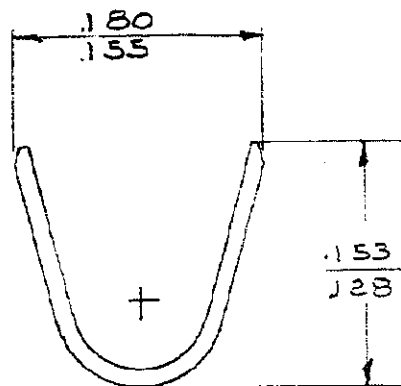
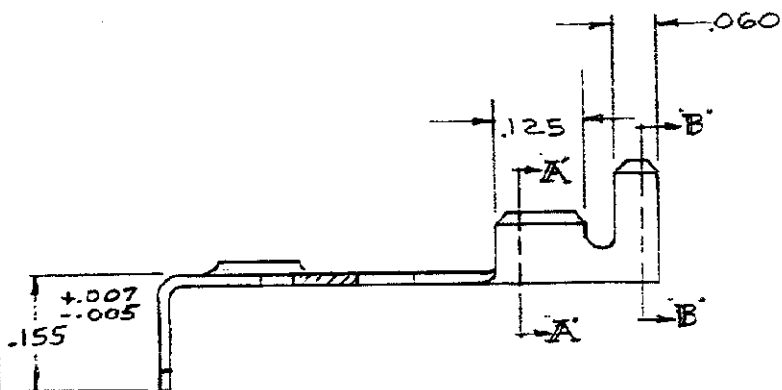


NUMBER
61656

U

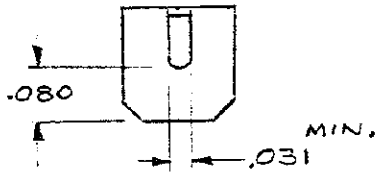


SECT. A-A



SECT. B-B

TERMINAL
NUMBER
61656-1



FRONT VIEW

DIMENSIONS IN INCHES. DO NOT SCALE PRINT.

©1969 BY AMP INCORPORATED. ALL RIGHTS RESERVED. AMP PRODUCTS COVERED BY PATENTS AND/OR PATENTS PENDING.

CUSTOMER COPY
REFERENCE ONLY

C	Revised A 47	AP	2/1/69
B	RELEASED REVISED 1600	NEN	4/1/69
A	REVISED	AP	1507 4/24/69

MATERIAL AND FINISH
.012 PH-BRONZE
NONE

AMP AMP INCORPORATED
HARRISBURG, PENNA.

WIRE RANGE INSULATION
22-18 .075-.110

CLASS N
TYPE N

TR	REVISION RECORD	DR	CHK	DATE
DR	N.E. NEFF	5-28-69	DE	DIM PRZ A-SKY
CHK			APP	

TOLERANCE EXCEPT AS NOTED
= .015 ± 1° 0'

LOC AF A NO 61656 REV C

NAME CLIP, TAB

PRINT 50