

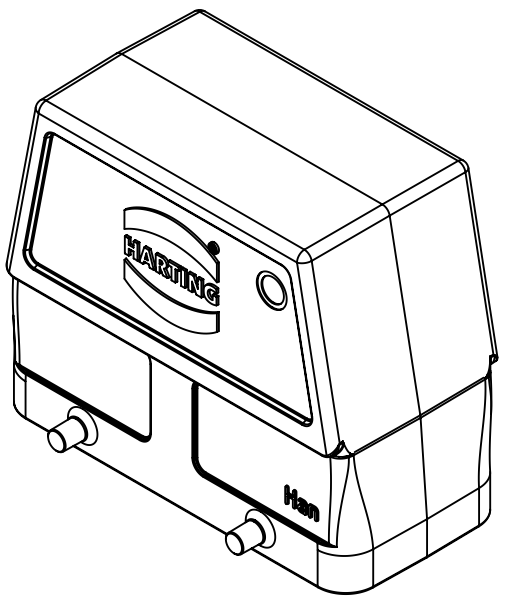
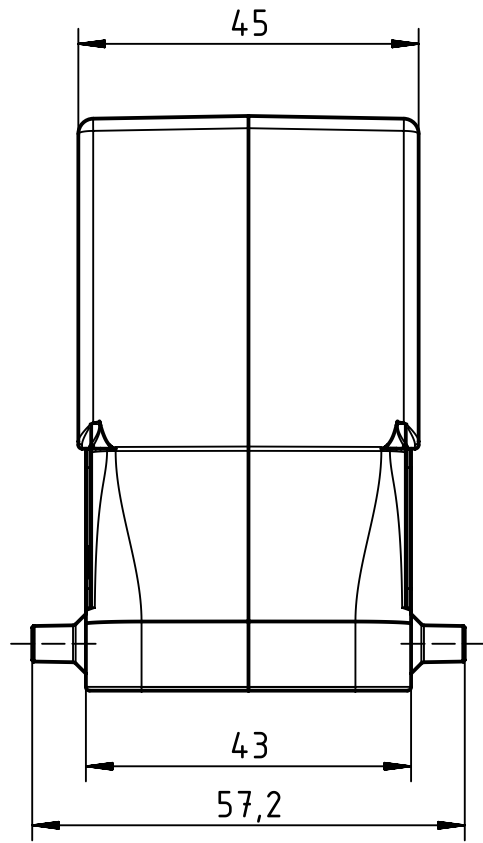
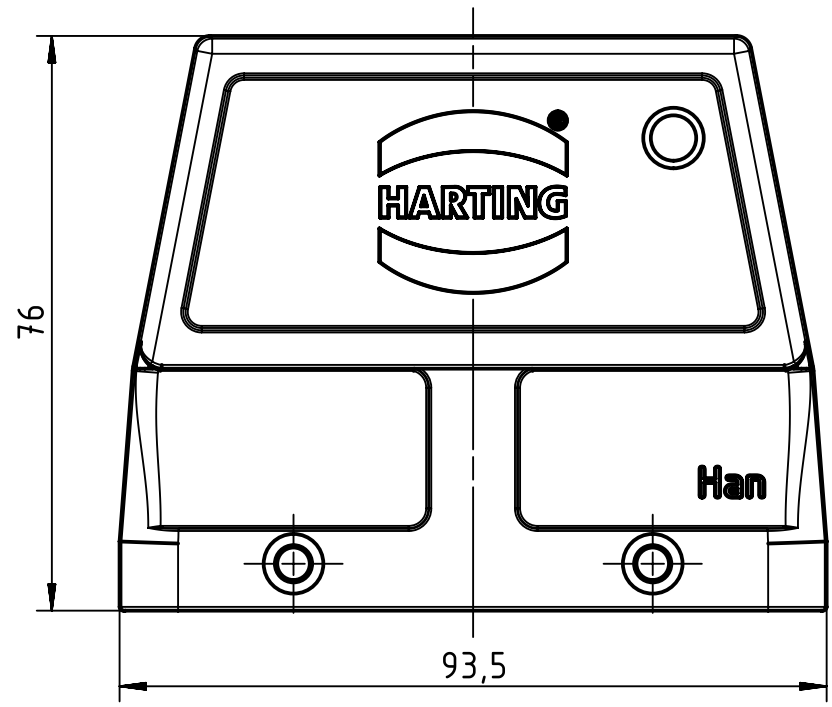
1 2 3 4 5 6

A

B

C

D



	All Dimensions in mm Original Size DIN A4		Scale 1:1	Free size tol.		Ref. Sub. TB 09 30 016 0801 v. 23.08.00	
		All rights reserved Department EL PD - DE	Created by HOLLERT	Inspected by SCHNIEDER	Standardisation SCHMIDTM	Date 2015-02-05	State Final Release
HARTING Electric GmbH & Co. KG D-32339 Espelkamp		Title Han B Hood HC 4 Pegs - no openings				Doc-Key / ECM-Nr. 100220778/UGD/002/C 500000084748	
		Type TB	Number 09 30 016 0801			Rev. C	Page 1/1