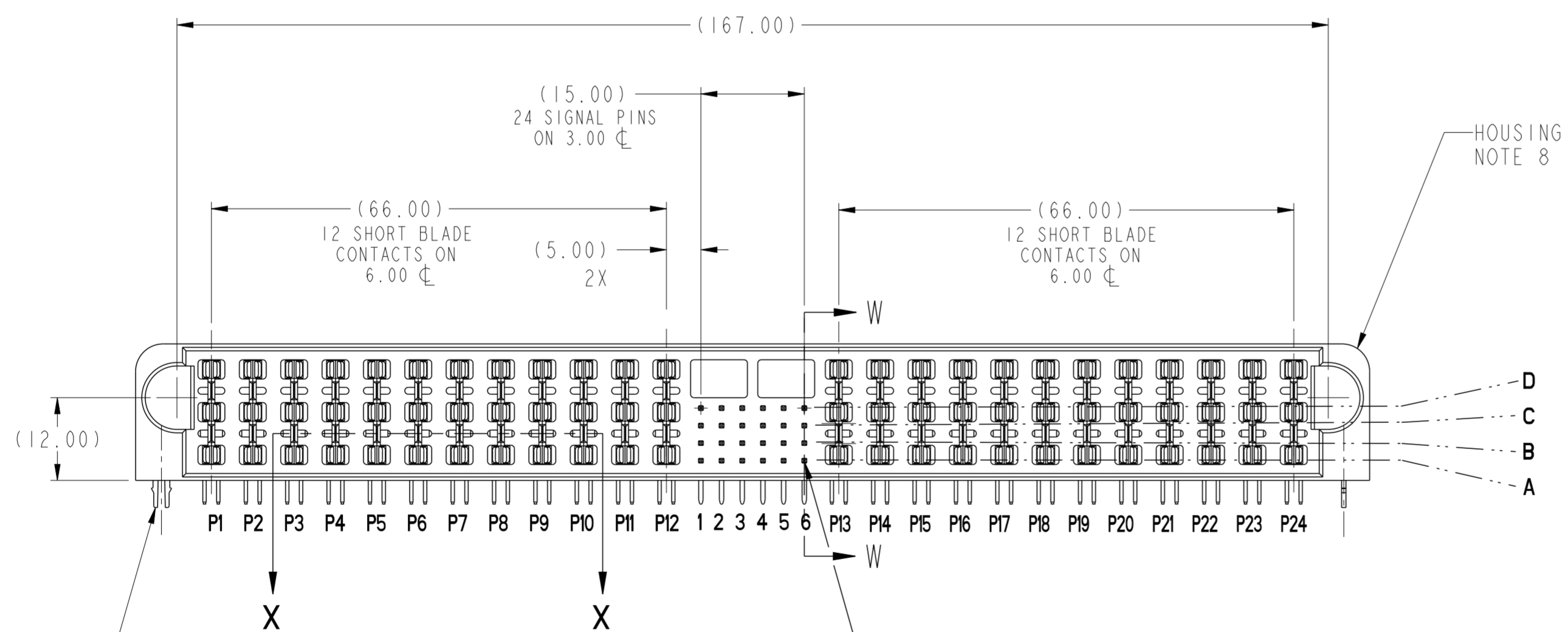
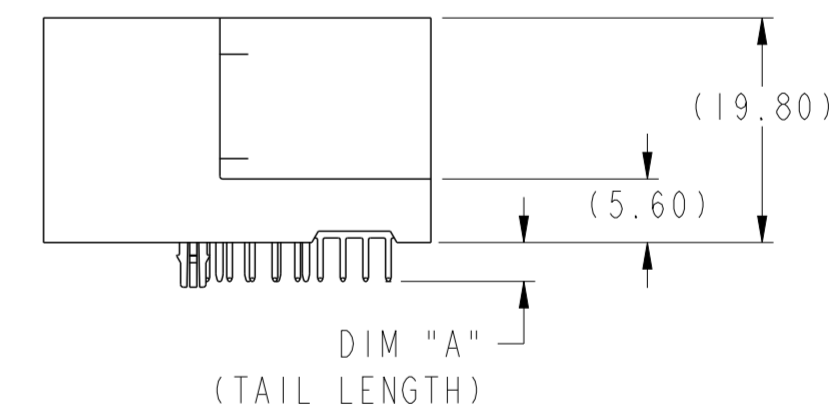


SECTION X-X



RETENTION CLIPS  
OPTIONAL  
(SEE P/N TABLE)

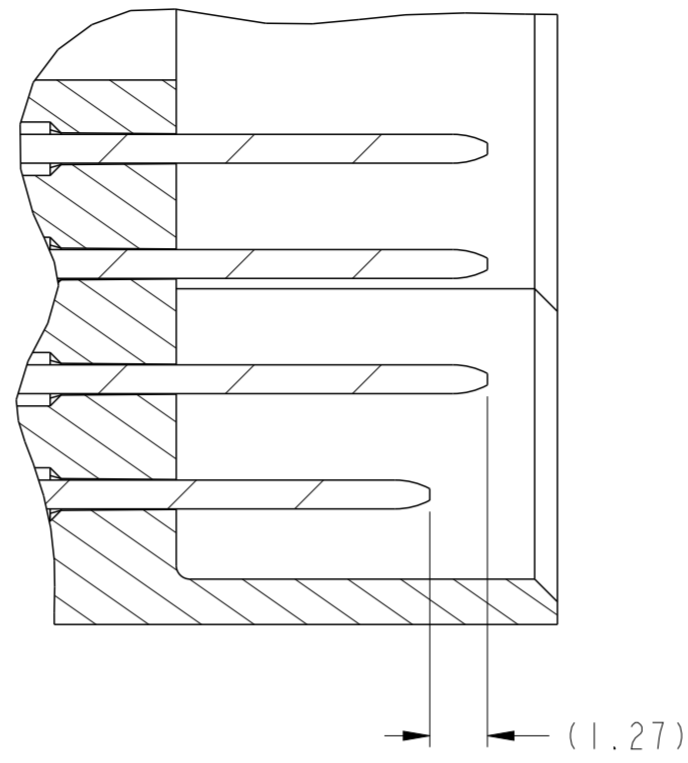
POSITION A6  
SHORT DETECT PIN  
(SEE SECTION W-W)



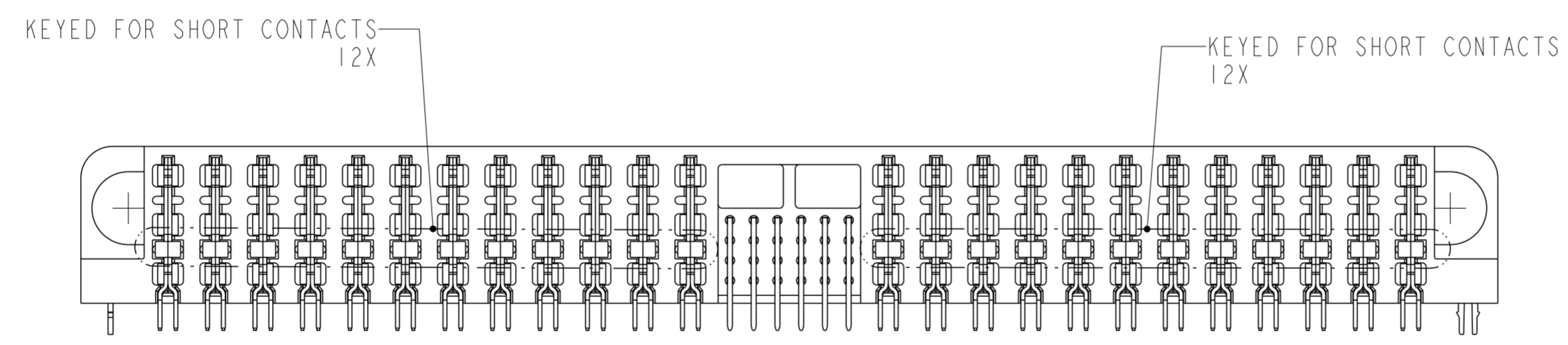
spec ref	-	dr	NotFound DuWa	2010/04/29	projection	MM	size	A2	scale	1:1				
tolerance std	ASME Y14.5	eng	De-Ming Lu	2014/12/28			ecn no	ELX-DG-19849-1	rel level	Released				
TOLERANCES UNLESS OTHERWISE SPECIFIED		chr	-	apppr							Pei-Ming Zheng	2014/12/29	product family	-
surface	ASME Y14.5	linear	0.X	±0.5							0.XX	±0.25	0.XXX	±0.10
www.fci.com		title		R/A HDR 12DC-24S-12DC		HCI POWER CONNECTOR		cat. no.	-	Product - Customer Drw	sheet 1 of 5			
PDS: Rev :C		STATUS:Released		Printed: Dec 30, 2014		rev		10084231		C				



Copyright FCI.



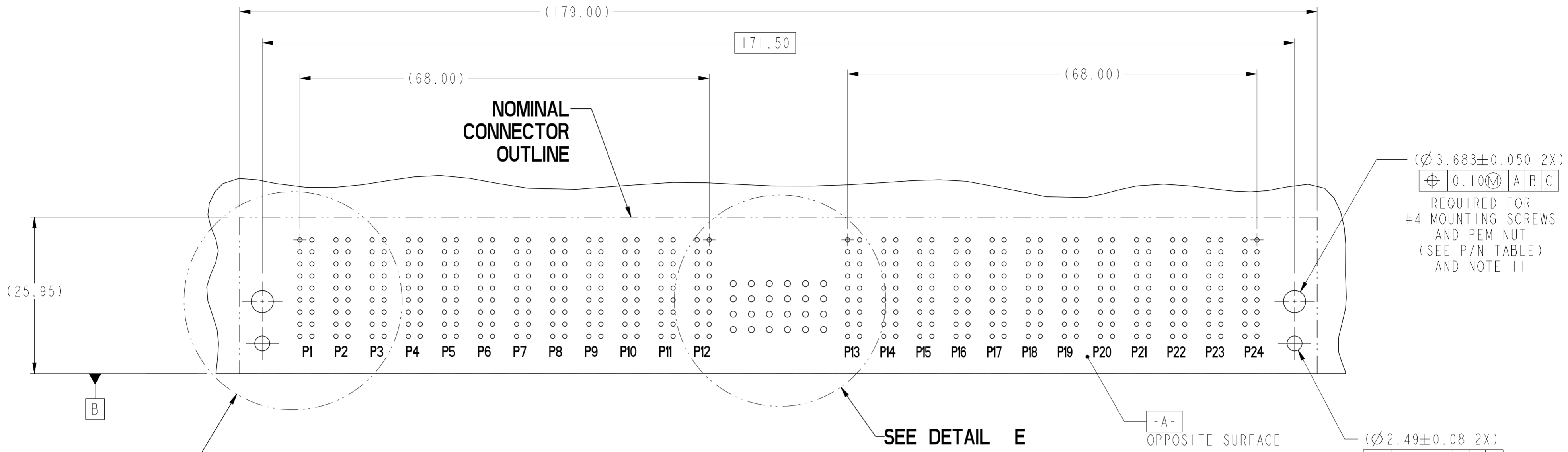
SECTION W-W  
SCALE 6:1  
SIGNAL MATING SEQUENCE



VIEW G-G

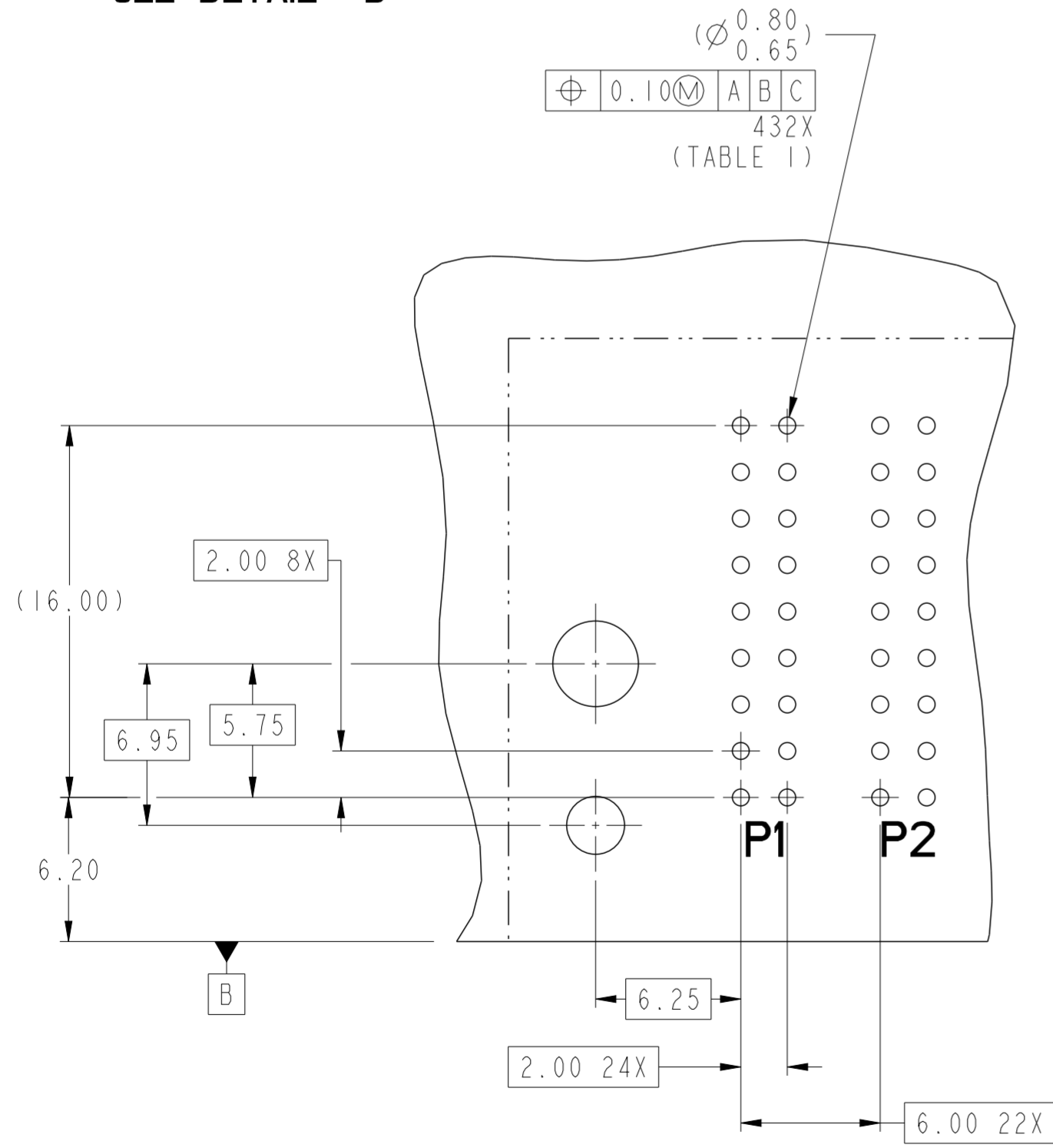
Copyright FCI.  
**FCI**

dr	NotFound DuWa	2010/04/29	projection	MM	size	A2	scale	1:1
eng	De-Ming Lu	2014/12/28			ecn no	ELX-DG-19849-1		
chr	-	-			rel level	Released		
appr	Pei-Ming Zheng	2014/12/29	product family	-	cat. no.	R/A HDR 12DC-24S-12DC		
			www.fci.com			dwg no	10084231	
			Product - Customer Drw			rev	C	
			sheet 2 of 5					

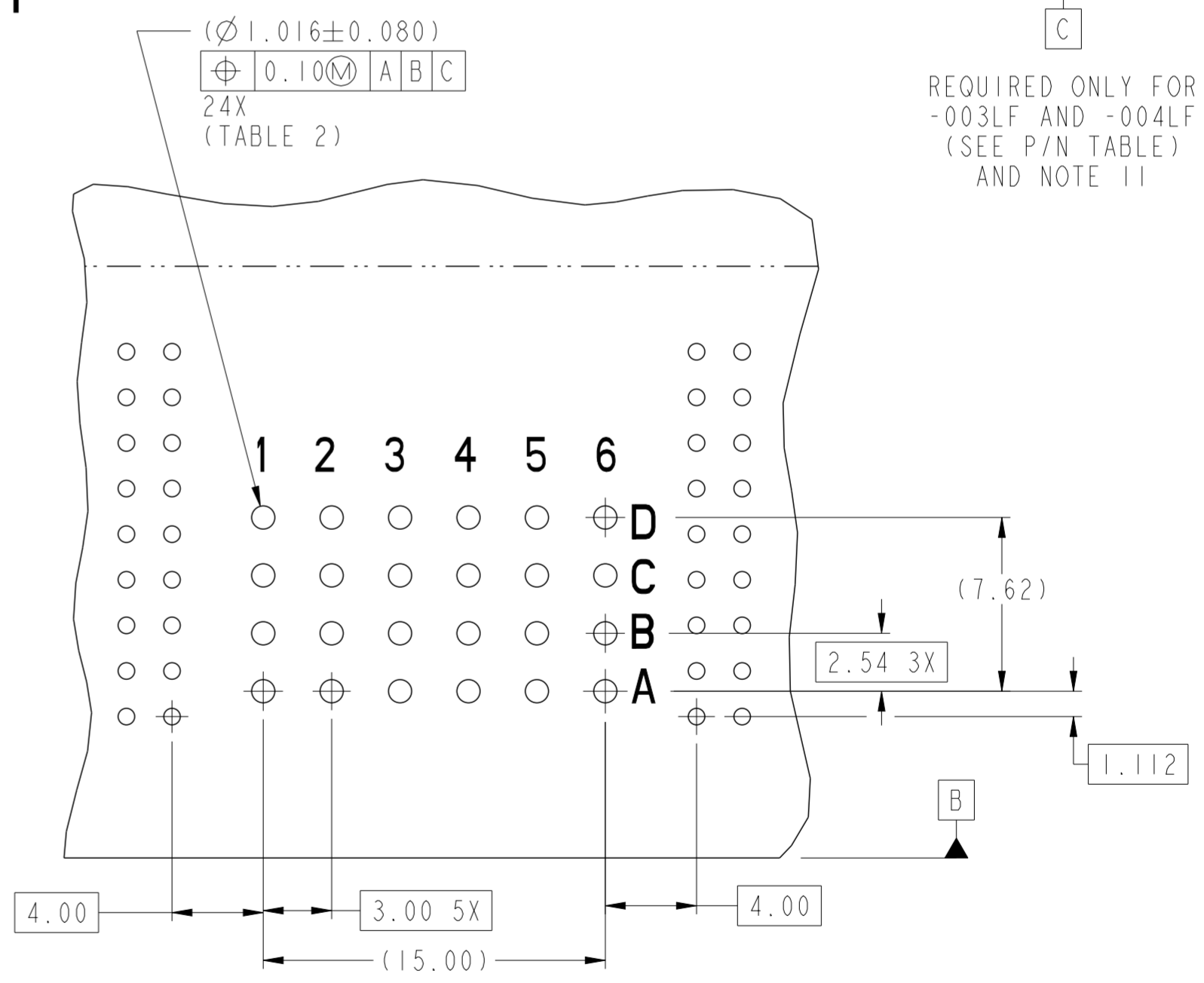


**RECOMMENDED PCB LAYOUT  
COMPONENT SIDE**

NOTE 6



**DETAIL D  
SCALE 4:1**



**DETAIL E  
SCALE 4:1**

dr	Not Found DuWa	2010/04/29	projection	MM	size	A2	scale	4:1
eng	De-Ming Lu	2014/12/28			ecn no	ELX-DG-19849-1	rel level	Released
chr	-	-						
appr	Pei-Ming Zheng	2014/12/29	product family	-	rel level	-	Blue	Released
		<b>FCI</b>			<b>FCI</b>		<b>FCI</b>	
www.fci.com		R/A HDR 12DC-24S-12DC HCI POWER CONNECTOR			10084231		rev <b>C</b>	
cat. no.		Product - Customer Drw			sheet 3 of 5			

A

A

TOP LAYER DESCRIPTION

TABLE 1 (HCI POWER)  
PLATED THROUGH-HOLE REQUIREMENTS

TOP LAYER DESCRIPTION	DRILLED HOLE DIAMETER	COPPER THICKNESS	TIN-LEAD THICKNESS	NICKEL THICKNESS	GOLD THICKNESS	TIN THICKNESS	SILVER THICKNESS	FINISHED HOLE DIAMETER
TIN-LEAD	0.81-0.86 (0.85 DRILL)	0.025 - 0.050	0.005 - 0.015	--	--	--	--	0.65 - 0.80
IMMERSION TIN	0.81-0.86 (0.85 DRILL)	0.025 - 0.050	--	--	--	0.9 - 1.5um	--	0.70 - 0.80
IMMERSION SILVER	0.81-0.86 (0.85 DRILL)	0.025 - 0.050	--	--	--	--	0.15 - 0.65um	0.70 - 0.80
COPPER (SEE NOTE 9)	0.81-0.86 (0.85 DRILL)	0.025 - 0.050	--	--	--	--	--	0.70 - 0.80
GOLD	0.81-0.86 (0.85 DRILL)	0.025 - 0.050	--	0.003 - 0.007	FLASH UP TO 0.0002	--	--	0.69 - 0.80

B

B

C

C

TOP LAYER DESCRIPTION

TABLE 2 (HPC SIGNALS)  
PLATED THROUGH-HOLE REQUIREMENTS

TOP LAYER DESCRIPTION	DRILLED HOLE DIAMETER	COPPER THICKNESS	TIN-LEAD THICKNESS	FINISHED HOLE DIAMETER
TIN-LEAD	1.125-1.175 ( $\varnothing .0453 \pm .0010$ )	0.025-0.050	0.005-0.015	0.94 - 1.10 ( $\varnothing .040 \pm .003$ )

D

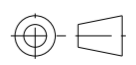
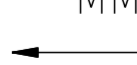
D

E

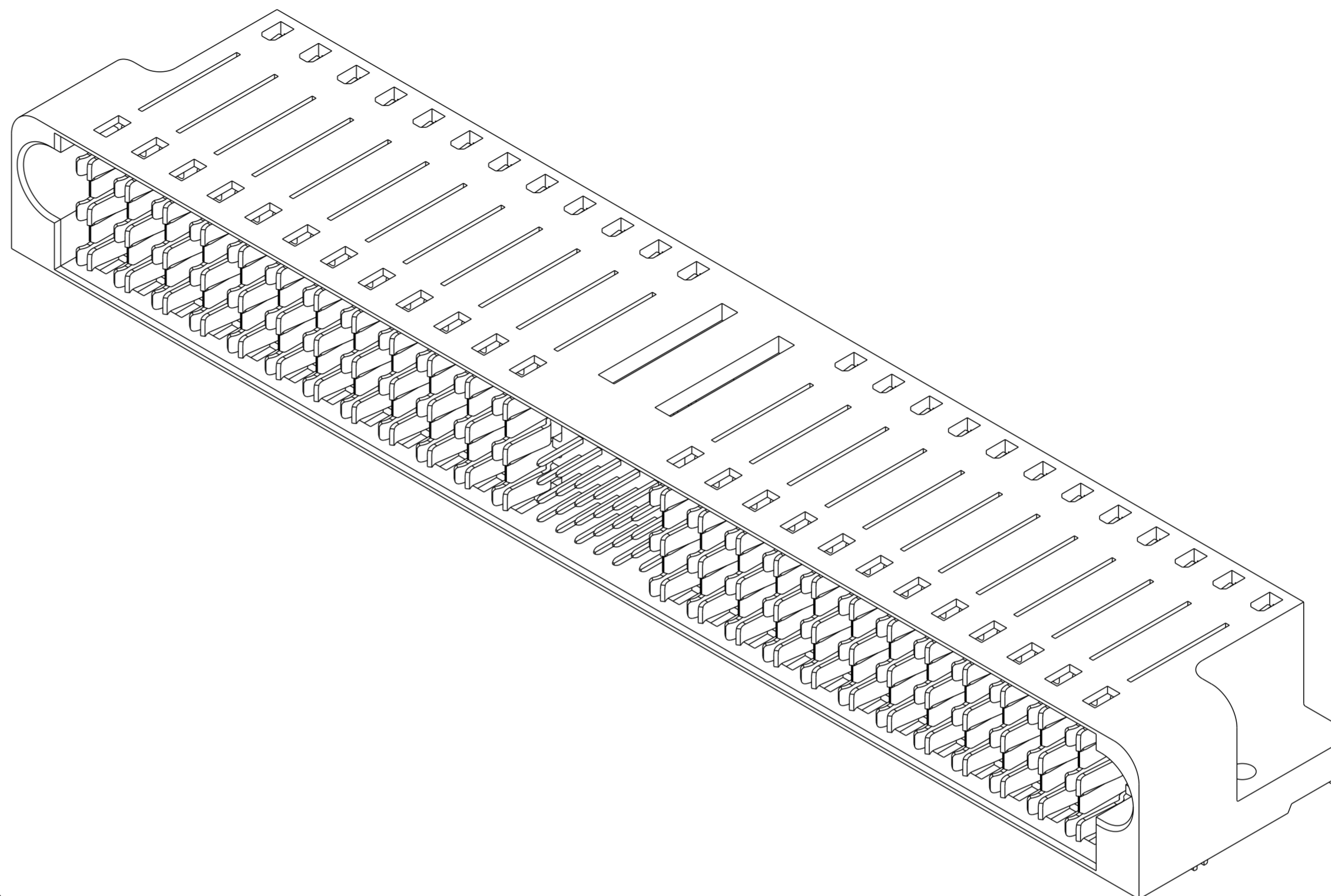
E

F

F

dr	NotFound DuWa	2010/04/29	projection	MM	size	A2	scale	4:1	
eng	De-Ming Lu	2014/12/28			ecn no	ELX-DG-19849-1			
chr	-	-			rel level	Released			
appr	Pei-Ming Zheng	2014/12/29	product family	-	cat. no.	R/A HDR 12DC-24S-12DC			
www.fci.com			title	HCI POWER CONNECTOR		dwg no	10084231		
www.fci.com			cat. no.	-		Product - Customer Drw	sheet 4 of 5	rev	C

PART NUMBER	RETENTION CLIPS	#4 SCREW	DIM A (TAIL LENGTH)	TAIL TYPE
10084231-001LF	NO	YES	3.43	SOLDER TAIL
10084231-002LF	NO	YES	4.70	SOLDER TAIL
10084231-003LF	YES	NO	3.43	SOLDER TAIL
10084231-004LF	YES	NO	4.70	SOLDER TAIL



NOTES:

1. CONNECTOR MATERIALS:  
HOUSING: HIGH TEMPERATURE THERMOPLASTIC, BLACK  
UL 94V-0 COMPLIANT  
CONTACTS: HIGH PERFORMANCE COPPER ALLOY
2. CONTACT FINISH (ref GS-12-380 SECTION 5.2)
3. PRODUCT SPECIFICATION: GS-12-380. (IN PROGRESS)
4. APPLICATION SPECIFICATION: GS-20-070. (IN PROGRESS)
5. PRODUCT MARKING (PRODUCT NUMBER & DATE CODE) ON HOUSING IN AREA SHOWN.
6. MINIMUM NOMINAL PCB THICKNESS: 1.6mm
7. PACKAGING MEETS FCI SPECIFICATION GS-14-1073.
8. HOUSING COMPONENT WILL WITHSTAND EXPOSURE TO 260°C PEAK TEMPERATURE FOR 60 SECONDS IN A CONVECTION, INFRA-RED, OR VAPOR PHASE REFLOW OVEN.
9. COPPER PLATING THICKNESS IN CENTER OF VIA-HOLE CAN BE NO MORE THAN 0.003 LESS THAN OTHER AREAS.
10. ALL HOLE SIZES ARE FINISHED HOLE SIZES.
11. MOUNTING HOLES ARE UNPLATED.

dr	NotFound DuWa	2010/04/29	projection	MM	size	A2	scale	1:1
eng	De-Ming Lu	2014/12/28			ecn no	ELX-DG-19849-1		
chr	-	-			rel level	Released		
appr	Pei-Ming Zheng	2014/12/29	product family	-	dwg no	10084231		rev
		title R/A HDR 12DC-24S-12DC HCI POWER CONNECTOR		cat. no. -		Product - Customer Drw		sheet 5 of 5 C