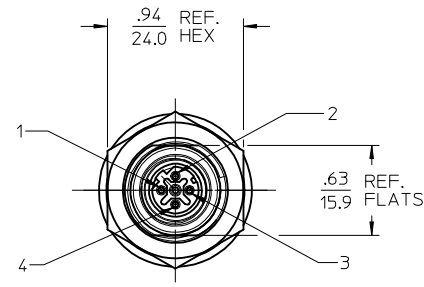
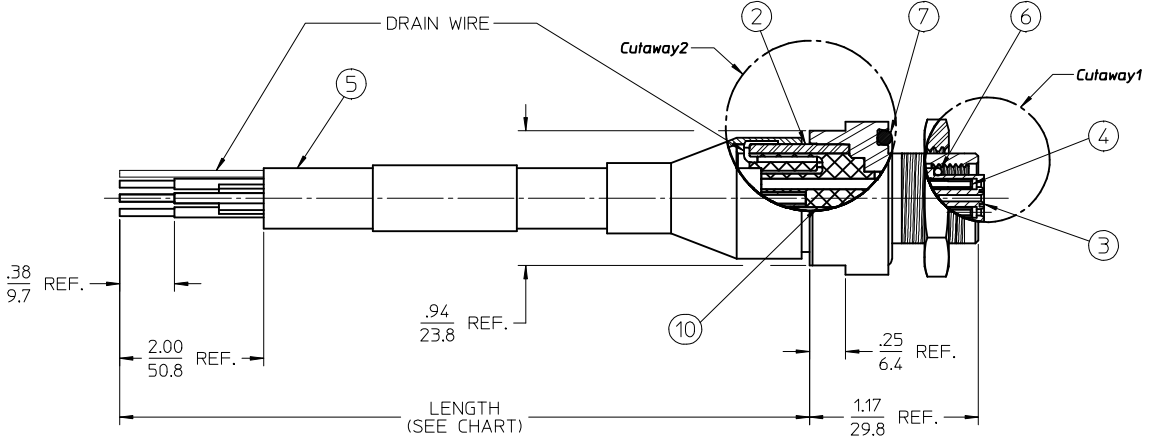
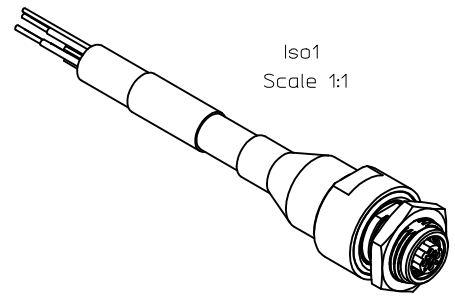
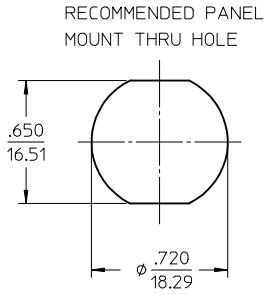
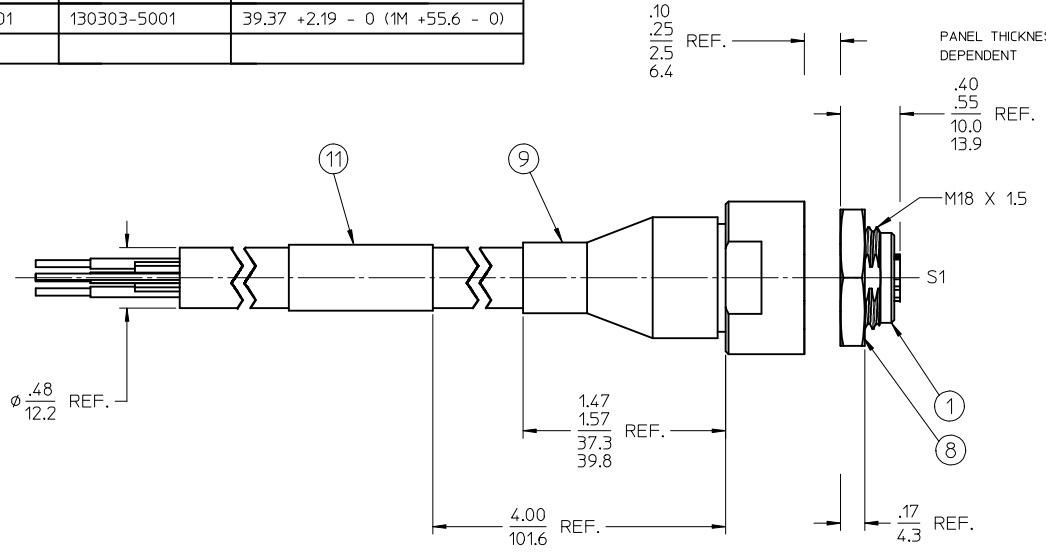


| | | | | | | | | | | | | |
|--------------|-----------------|--------------------------------|----|---|---|---|---|---|---|---|---|---|
| 13 | 12 | 11 | 10 | 9 | 8 | 7 | 6 | 5 | 4 | 3 | 2 | 1 |
| MATERIAL NO. | ENGINEERING NO. | LENGTH | | | | | | | | | | |
| 1303035001 | 130303-5001 | 39.37 +2.19 - 0 (1M +55.6 - 0) | | | | | | | | | | |



| | |
|----|--------|
| S1 | YELLOW |
| 1 | WHITE |
| 2 | ORANGE |
| 3 | BLUE |
| 4 | DRAIN |

- NOTES:
1. MATERIALS: SEE TABLE
 2. FINISHES: SEE TABLE
 3. ELECTRICAL RATINGS:
VOLTAGE 125V
CURRENT: 1.5 AMPS
 4. PANEL NUT TORQUE: 10 FT.LBS.
 5. MATES WITH: MALE, M12.D-CODE
 6. ASSEMBLY IS TO BE RoHS COMPLIANT

| | | | | |
|------|------|------------------------------|-----------------|------------------|
| 11 | 1 | WRAP LABEL | VINYL | BLACK/YELLOW |
| 10 | 1 | POTTING MATERIAL | EPOXY | |
| 9 | 1 | SHRINK TUBE | POLYOLEFIN | BLACK |
| 8 | 1 | PANEL NUT, M18 X 1.5 | STAINLESS STEEL | PASSIVATED |
| 7 | 1 | O-RING, PANEL SEAL | VITON | BROWN |
| 6 | 1 | O-RING, MATING SEAL | VITON | RED |
| 5 | 1 | CABLE, 18 AWG, 4/C, SHIELDED | XLE INSULATION | SEE WIRE DIAGRAM |
| 4 | 4 | CONTACT SOCKET, 18 AWG | Cu ALLOY | GOLD PLATED |
| 3 | 1 | INSULATOR, 4/C, D-CODE | NYLON | BLACK |
| 2 | 1 | RECEPTACLE SLEEVE | STAINLESS STEEL | PASSIVATED |
| 1 | 1 | RECEPTACLE SHELL | STAINLESS STEEL | PASSIVATED |
| ITEM | QTY. | DESCRIPTION | MATERIAL | FINISH |

WAS 250V, 4A
 EC NO: IPG2016-0553
 DRWRSTONE 2015/10/13
 CHKD:ZIELINSKI 2015/10/20
 APPR:BMODMAN 2015/12/02

QUALITY SYMBOLS
 ▽=0
 ▽=0

GENERAL TOLERANCES (UNLESS SPECIFIED)

| | mm | INCH |
|----------|-------|--------|
| 4 PLACES | ± .13 | ± .005 |
| 3 PLACES | ± .13 | ± .010 |
| 2 PLACES | ± 0.3 | ± .010 |
| 1 PLACE | ± 0.3 | ± .010 |

ANGULAR ± 2 °

DRAFT WHERE APPLICABLE
 MUST REMAIN WITHIN DIMENSIONS

DIMENSION STYLE
 IN/MM

DRAWN BY DATE
 RSTONE 2010/05/11

CHECKED BY DATE
 K. JOZWIK 2010/05/17

APPROVED BY DATE
 JFMURPHY 2010/05/20

MATERIAL NO.
 SEE CHART

SIZE
 C

SCALE 1.5:1
 DESIGN UNITS INCH
 THIRD ANGLE PROJECTION

TITLE
 MIC RECEPTACLE ASSEMBLY
 HD, FEMALE, D-CODE, M12
 M18 MTG, WITH CABLE

MOLEX INCORPORATED

DOCUMENT NO. SD-130303-007
 SHEET NO. 1 OF 1

THIS DRAWING CONTAINS INFORMATION THAT IS PROPRIETARY TO MOLEX INCORPORATED AND SHOULD NOT BE USED WITHOUT WRITTEN PERMISSION