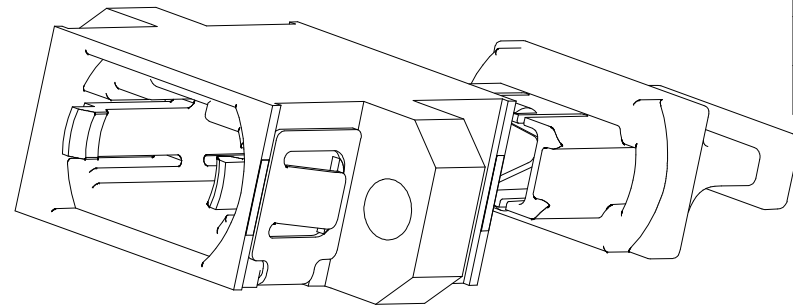
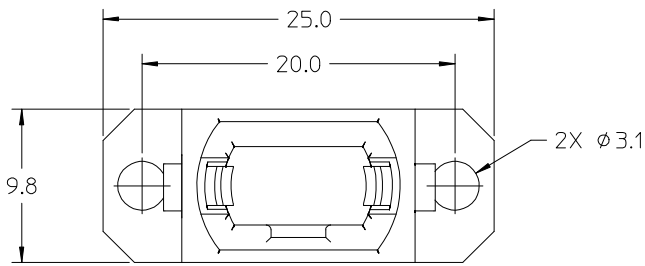
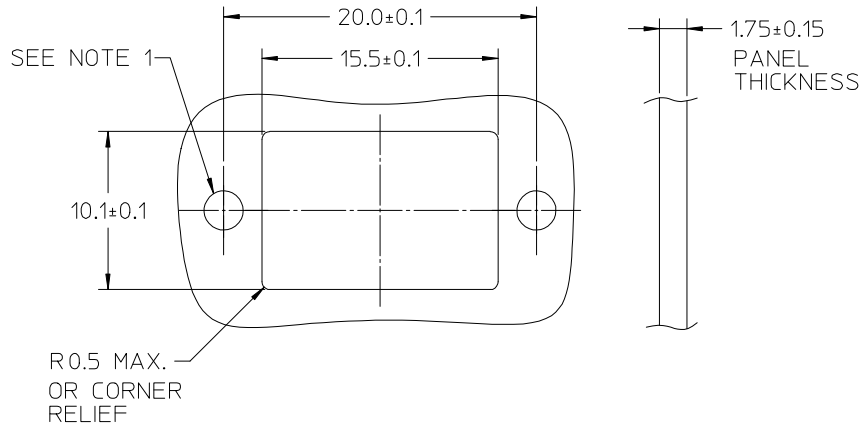
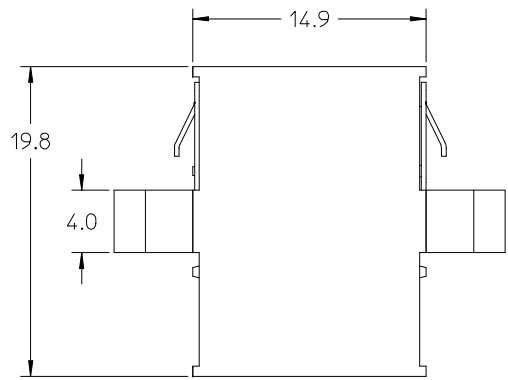


MX P/N	ADAPTER COLOR	KEY ORIENTATION
106181-0000	BLACK	OPPOSED*
106181-0100	GRAY	ALIGNED



TWO DUST CAPS ARE PROVIDED



RECOMMENDED MOUNTING CUTOUT

- NOTES:
- RECOMMEND USE OF M2.5 OR 4-40 SCREW AND NUT (NOT PROVIDED).  
RECOMMEND 2in-lbf TORQUE FOR SCREW MOUNT APPLICATIONS.
  - \*"OPPOSED" KEY ORIENTATION IS THE STANDARD FOR MTP.
  - MATERIALS:  
ADAPTER BODY - POLYETHERIMIDE  
FLAMMABILITY - UL94 V-0  
SPRING CLIP - STAINLESS STEEL  
DUST PLUG - POLYCARBONATE:  
SURFACE RESISTIVITY - <1E12 ohm/sq  
TML - <1%  
FLAMMABILITY - UL94 V-0

ENTER DESCRIPTION EC NO: MF2010-0164 DRWN: LGUMIN 2009/10/12 CHKD: LGUMIN 2009/10/12 APPR: LGUMIN 2009/10/12 REV B	QUALITY SYMBOLS	GENERAL TOLERANCES (UNLESS SPECIFIED)	DIMENSION STYLE	SCALE	DESIGN UNITS	THIRD ANGLE PROJECTION	
	▼=0 ∇=0	mm INCH 4 PLACES ± --- ± --- 3 PLACES ± --- ± --- 2 PLACES ± --- ± --- 1 PLACE ± --- ± --- ANGULAR ±1/2°	MM ONLY	---	INCH	DRAWN BY KP DATE 2006/07/07 CHECKED BY DATE APPROVED BY ILG DATE 2006/07/07 MATERIAL NO. SEE TABLE DOCUMENT NO. SD-106181-0000	MTP ADAPTER FULL FLANGE MOLEX INCORPORATED SHEET NO. 1 OF 1
	DRAFT WHERE APPLICABLE MUST REMAIN WITHIN DIMENSIONS		THIS DRAWING CONTAINS INFORMATION THAT IS PROPRIETARY TO MOLEX INCORPORATED AND SHOULD NOT BE USED WITHOUT WRITTEN PERMISSION				