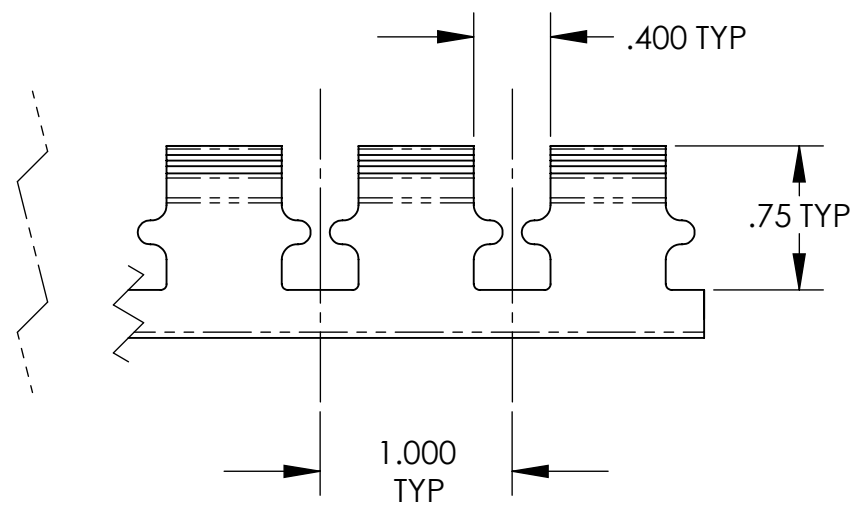
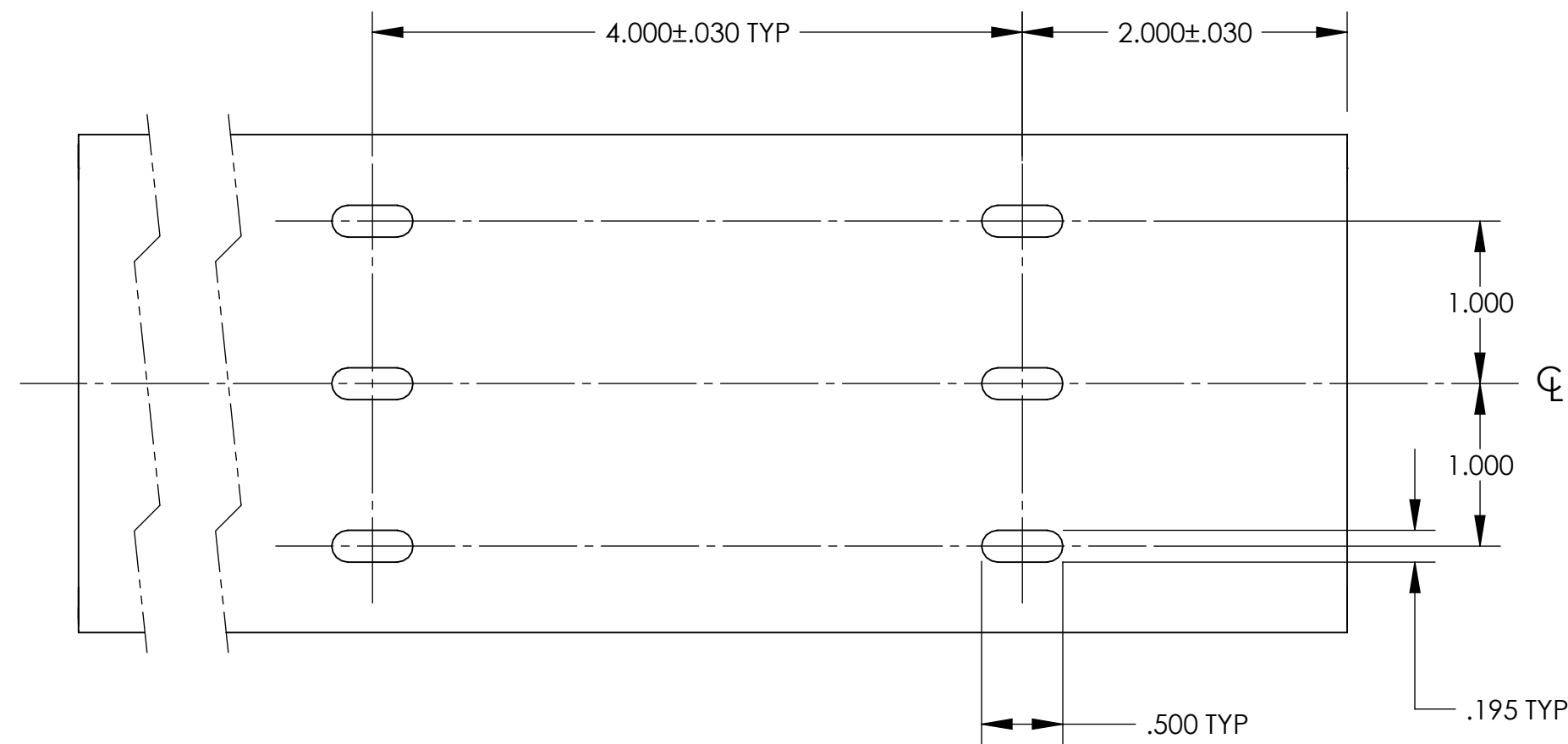
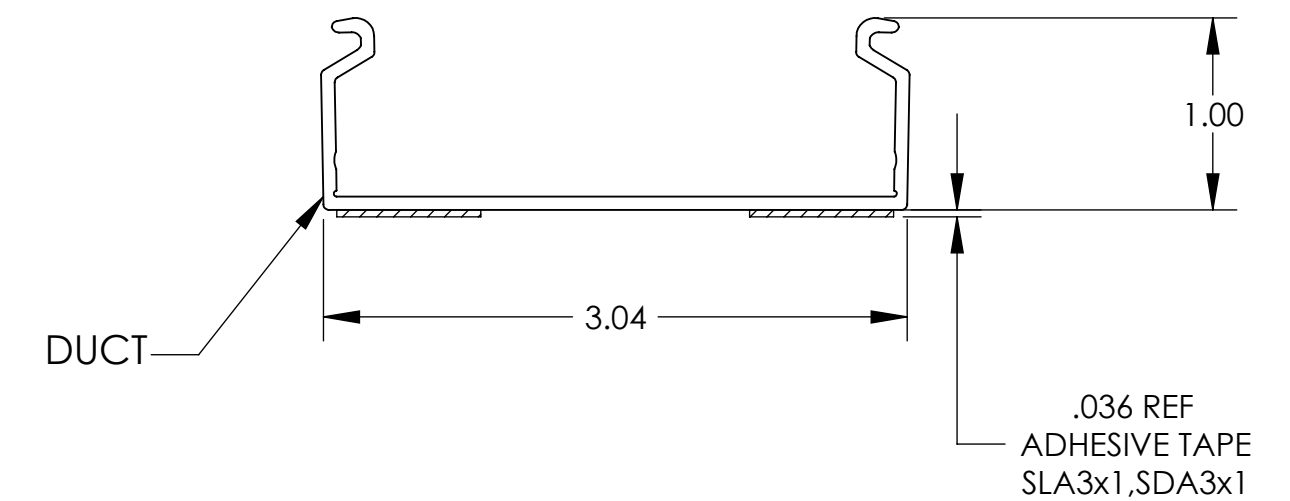
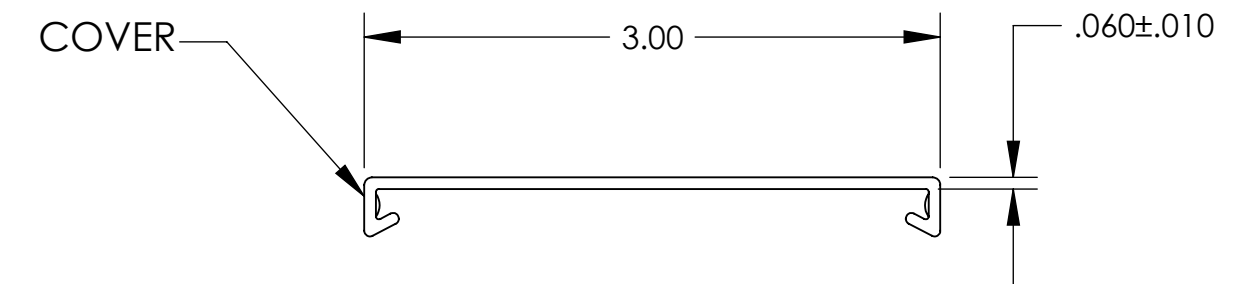
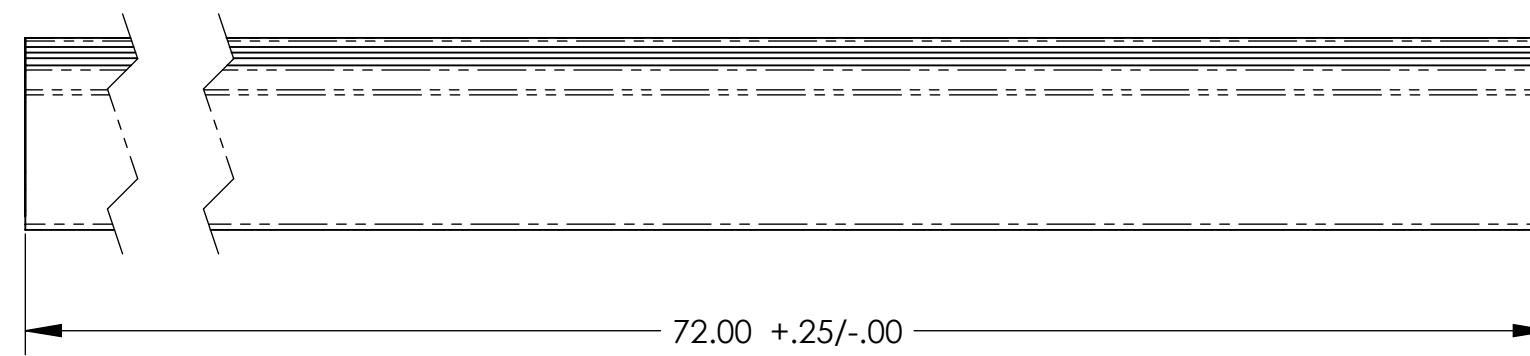


SLOTTED WALL
DUCT "SL"



SOLID WALL
DUCT "SD"



DESCRIPTION	MOUNTING METHOD	TYTON PART No.
SLOTTED DUCT	SCREW	SL3x1
	ADH. TAPE	SLA3x1
SOLID DUCT	SCREW	SD3x1
	ADH. TAPE	SDA3x1
COVER	N/A	TC3

HellermannTyton
ALL PROPRIETARY RIGHTS IN THE SUBJECT MATTER SHOWN ON THIS DRAWING ARE EXCLUSIVE PROPERTY OF HELLERMANN TYTON

name	date	city, state

NOTES

1. INSIDE DUCT AREA WITH COVER ON = 2.59IN²

REVISIONS

level	01
by	PLN
date	04/01/03
ECN #	003744
part level	A

TOLERANCES

.xxxx = ±.0005
.xxx = ±.005
.xx = ±.01
.x = ±.03
∠ = ±0.5°
unless otherwise specified

units inches

PART

number SEE CHART phase PRODUCTION

name 3x1 DUCT WITH COVER

material PVC STANDARD AND CUSTOM COLORS

DRAWING

format version N	C	CAD	SW	scale	1:1
computer file number	DT2010304CST_01	previous number			
drawn	T.G.V.	checked	MEF	approved	
date	11/17/97	checked	04/09/03	approved	
type	CUSTOMER	sheet	1 of 1		
number	DT2010304CST				