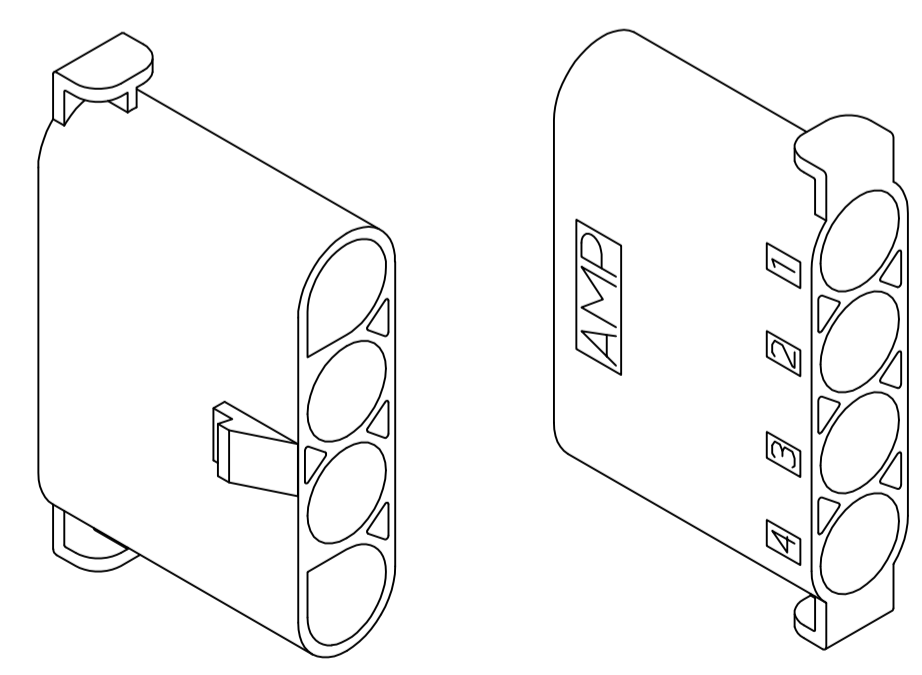
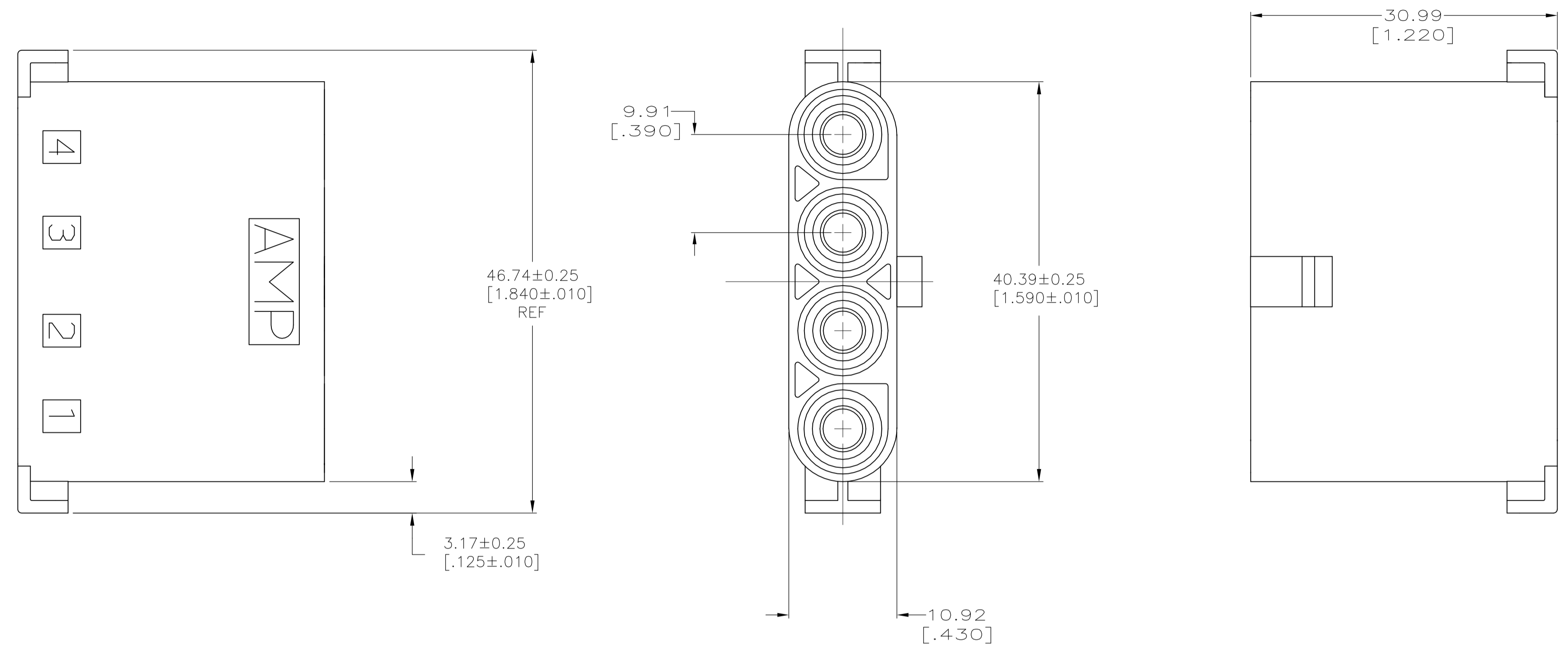


LOC	DIST	REVISIONS			
CM	53	REV	DESCRIPTION	DATE	DWN
		B	ECO-07-027216	16NOV07	CC

- TO BE USED WITH APPROPRIATE .156 MATE-N-LOK™ PINS.
- DIMENSIONS IN BRACKETS ARE IN INCHES.



3-DIMENSIONAL MODEL VIEWS

794117-1
PART NUMBER

METRIC

THIS DRAWING IS A CONTROLLED DOCUMENT.		DIN	4-19-96	Tyco Electronics Corporation Harrisburg, PA 17105-3608
		CHK	4-19-96	
		DESIGN	4-19-96	NAME CAP, 4 CIRCUIT, .156 MATE-N-LOK(TM)
		APP'D	4-30-96	
		PRODUCT SPEC		SIZE A1
		APPLICATION SPEC		
		WEIGHT		SCALE 3:1
		CUSTOMER DRAWING		