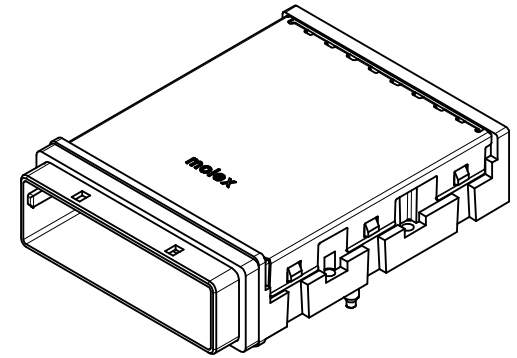
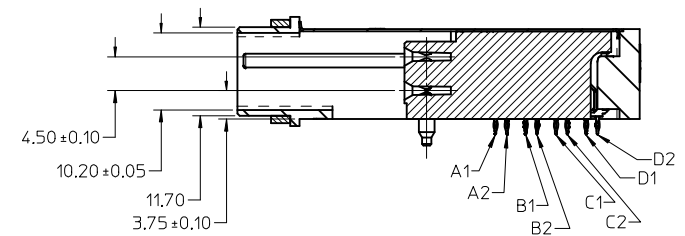
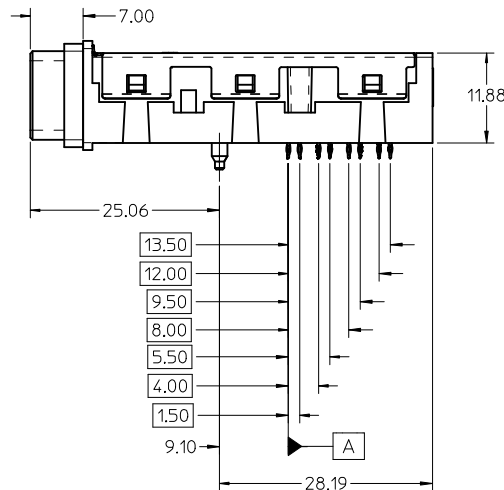
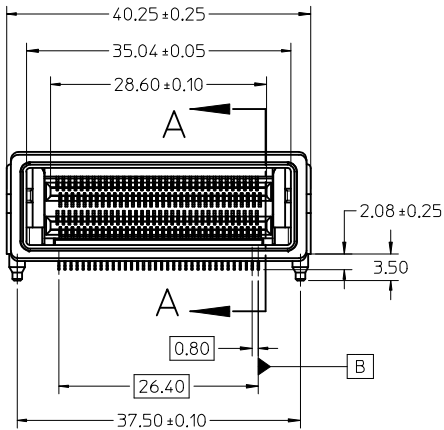


NO COVER OPTION



COVER OPTION



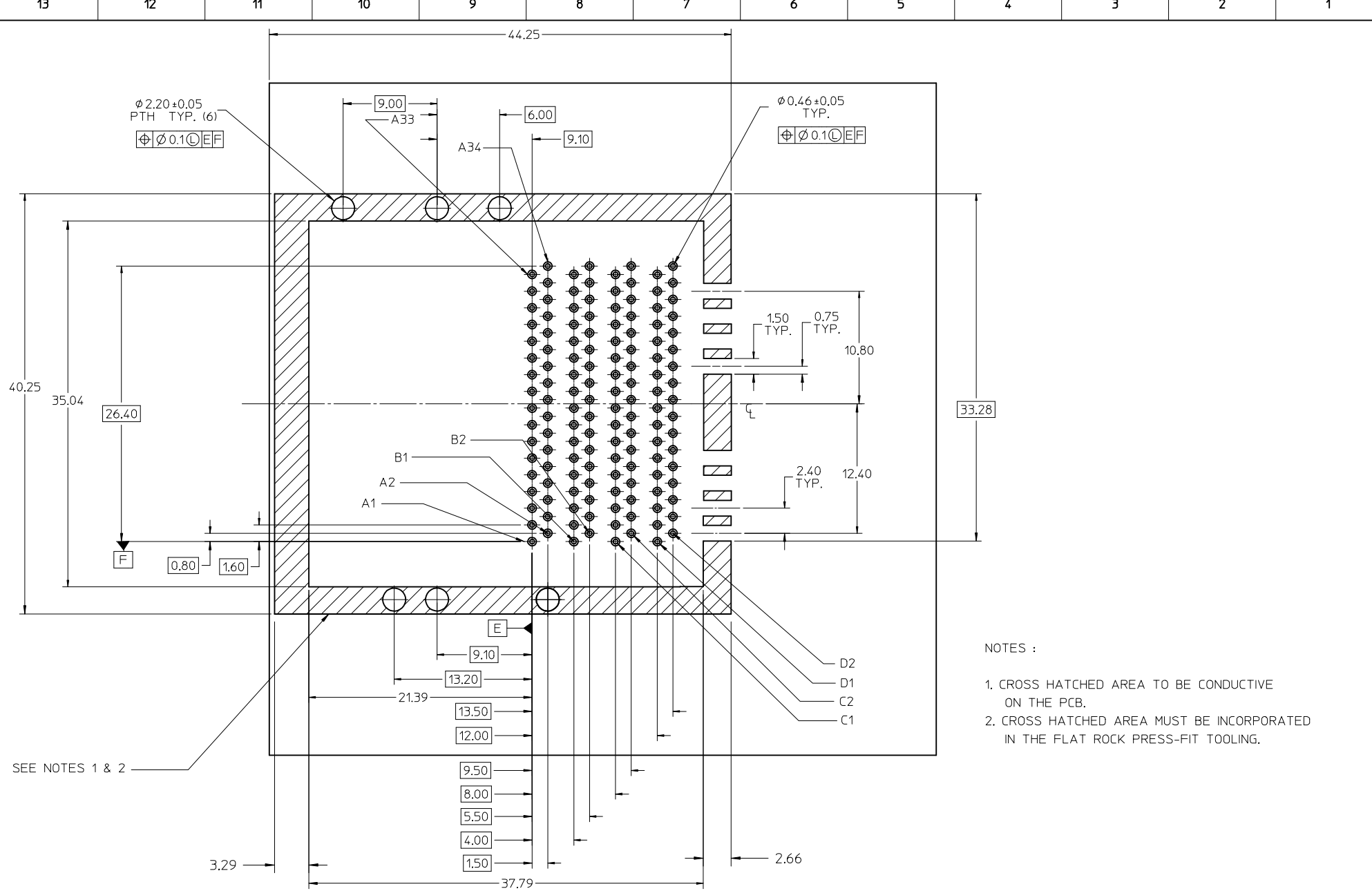
SECTION A-A

NOTES :

- MATERIALS:
  - CONNECTOR HOUSING - HIGH TEMP THERMOPLASTIC, GLASS FILLED, UL94V-0
  - EMI HOUSING - NICKEL PLATED DIE CAST ALLOY
  - COVER - STAINLESS STEEL ALLOY
  - EMI GASKET - SEE CHART
- PLATING OPTIONS:
  - (A) CONTACT AREA -  $0.38 \mu\text{m}$  MIN GOLD OVER  $2.54 \mu\text{m}$  MIN NICKEL  
COMPLIANT TAIL AREA -  $0.76 - 1.52 \mu\text{m}$  TIN OVER  $1.27 \mu\text{m}$  MIN NICKEL.
  - (B) CONTACT AREA -  $0.76 \mu\text{m}$  MIN GOLD OVER  $2.54 \mu\text{m}$  MIN NICKEL  
COMPLIANT TAIL AREA -  $0.76 - 1.52 \mu\text{m}$  TIN OVER  $1.27 \mu\text{m}$  MIN NICKEL.
- PRODUCT SPECIFICATION : PS-75586-001
- THIS CONNECTOR IS DESIGNED TO MATE WITH MOLEX CABLE SERIES 74546.
- PACKAGING SPECIFICATION : TRAY PACK PER PK-75581-001
- MOUNTING HARDWARE REQ'D : M2x8mm CAP SCREWS (4)

PART NUMBER	PLATING OPTION	GASKET TYPE	COVER OPTION
75581-0008	A	CONDUCTIVE POLYMER	YES
75581-0009	B	CONDUCTIVE POLYMER	YES
75581-0018	A	UL 94V-0	YES
75581-0019	B	UL 94V-0	YES
75581-0020	A	UL 94V-0	NO
75581-0021	B	UL 94V-0	NO

ADD P/N UL94V0 EC NO: UCP2014-5033 DRWN: TMCLELL 2014/05/30 CHKD: TMCLELL AND 2014/06/03 APPR: MBANKIS 2014/06/05	QUALITY SYMBOLS 	GENERAL TOLERANCES (UNLESS SPECIFIED)		DIMENSION STYLE <b>MM ONLY</b>		SCALE <b>2:1</b>	DESIGN UNITS <b>METRIC</b>	THIRD ANGLE PROJECTION
		4 PLACES $\pm$ --- $\pm$ --- 3 PLACES $\pm$ --- $\pm$ --- 2 PLACES $\pm 0.13$ $\pm$ --- 1 PLACE $\pm 0.25$ $\pm$ --- ANGULAR $\pm 1/2^\circ$	DRAWN BY KREGNIER CHECKED BY DATE 10/21/04	APPROVED BY RNELSON DATE 10/28/04		MATERIAL NO. <b>SEE CHART</b>		DOCUMENT NO. SD-75581-001
DRAFT WHERE APPLICABLE MUST REMAIN WITHIN DIMENSIONS		MOLEX INCORPORATED THIS DRAWING CONTAINS INFORMATION THAT IS PROPRIETARY TO MOLEX INCORPORATED AND SHOULD NOT BE USED WITHOUT WRITTEN PERMISSION						



- NOTES :
- CROSS HATCHED AREA TO BE CONDUCTIVE ON THE PCB.
  - CROSS HATCHED AREA MUST BE INCORPORATED IN THE FLAT ROCK PRESS-FIT TOOLING.

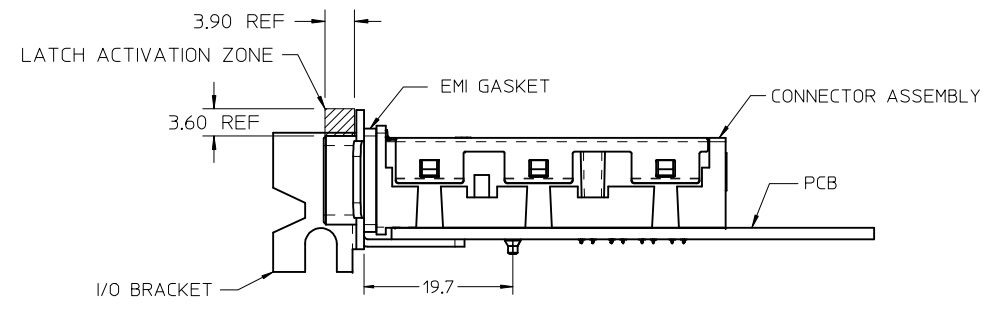
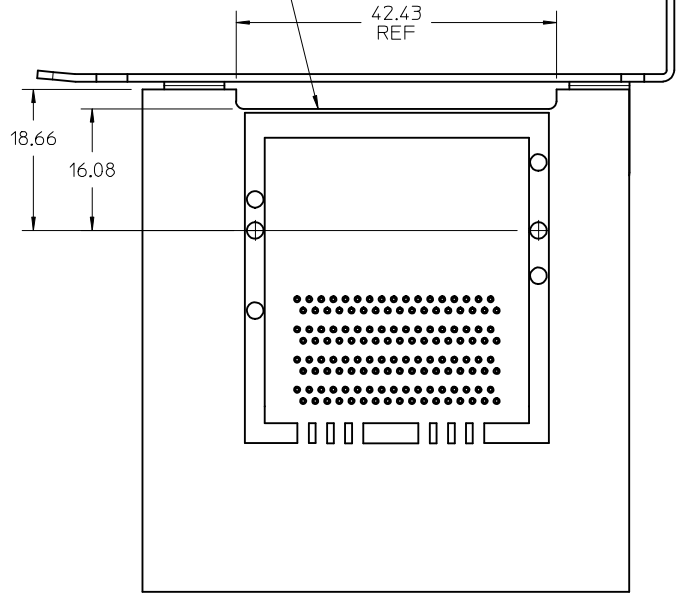
SEE NOTES 1 & 2

RECOMMENDED PCB LAYOUT : COMPONENT SIDE SHOWN

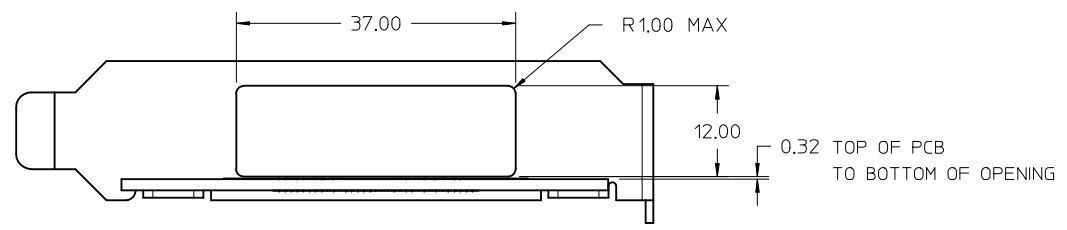
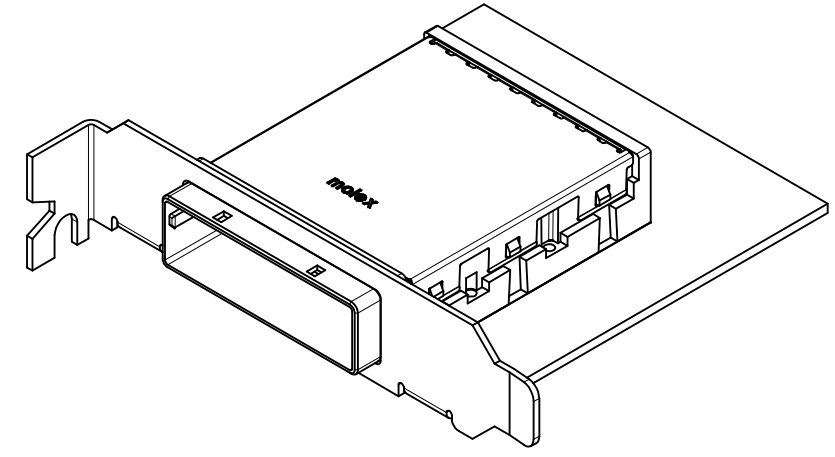
PCB THICKNESS : 1.35mm MIN.

SEE SHEET 1 EC NO: UCP2014-5033 DRWN: MCLELL 2014/05/30 CHKD: MCLELL AND 2014/06/03 APPR: MBANKS 2014/06/05	QUALITY SYMBOLS	GENERAL TOLERANCES (UNLESS SPECIFIED)		DIMENSION STYLE	SCALE	DESIGN UNITS	THIRD ANGLE PROJECTION	
	▽=0 ▽=0	mm	INCH	MM ONLY	4:1	METRIC		
		4 PLACES ± --- ± ---		DRAWN BY	DATE	TITLE		
		3 PLACES ± --- ± ---		KREGNIER	10/21/04	16X PCIe I-PASS CONNECTOR FAMILY 0.80 MM PITCH I/O		
	2 PLACES ± 0.13 ± ---		CHECKED BY	DATE				
	1 PLACE ± 0.25 ± ---		APPROVED BY	DATE	MOLEX INCORPORATED			
	ANGULAR ± 1/2°		RNELSON	10/28/04				
	DRAFT WHERE APPLICABLE MUST REMAIN WITHIN DIMENSIONS	SEE CHART		MATERIAL NO.	DOCUMENT NO.	SHEET NO.		
H3					SD-75581-001	2 OF 3		
		THIS DRAWING CONTAINS INFORMATION THAT IS PROPRIETARY TO MOLEX INCORPORATED AND SHOULD NOT BE USED WITHOUT WRITTEN PERMISSION						

PCIe PCB APPLICATION  
PCB EDGE CUT OUT



ASSEMBLED VIEW



I/O BRACKET CUT-OUT  
(NOT SUPPLIED)

SEE SHEET 1 EC NO: UCP2014-5033 DRWN:MCLELL 2014/05/30 CHKD:MCLELLAND 2014/06/03 APPR:MBANKS 2014/06/05	QUALITY SYMBOLS ▽=0 ▽=0	GENERAL TOLERANCES (UNLESS SPECIFIED)		DIMENSION STYLE <b>MM ONLY</b>		SCALE <b>2:1</b>	DESIGN UNITS <b>METRIC</b>	THIRD ANGLE PROJECTION		
			mm	INCH	DRAWN BY KREGNIER	DATE 10/21/04	TITLE <b>16X PCIe I-PASS CONNECTOR FAMILY 0.80 MM PITCH I/O</b>			
		4 PLACES ± ---	± ---	± ---	CHECKED BY	DATE	MOLEX INCORPORATED DOCUMENT NO. SD-75581-001 SHEET NO. 3 OF 3			
		3 PLACES ± ---	± ---	± ---	APPROVED BY RNELSON					
2 PLACES ± 0.13	± ---	± ---	MATERIAL NO.		SEE CHART					
1 PLACE ± 0.25	± ---	± ---	ANGULAR ± 1/2°		THIS DRAWING CONTAINS INFORMATION THAT IS PROPRIETARY TO MOLEX INCORPORATED AND SHOULD NOT BE USED WITHOUT WRITTEN PERMISSION					
DRAFT WHERE APPLICABLE MUST REMAIN WITHIN DIMENSIONS										