

DRAWING MADE IN THIRD ANGLE PROJECTION

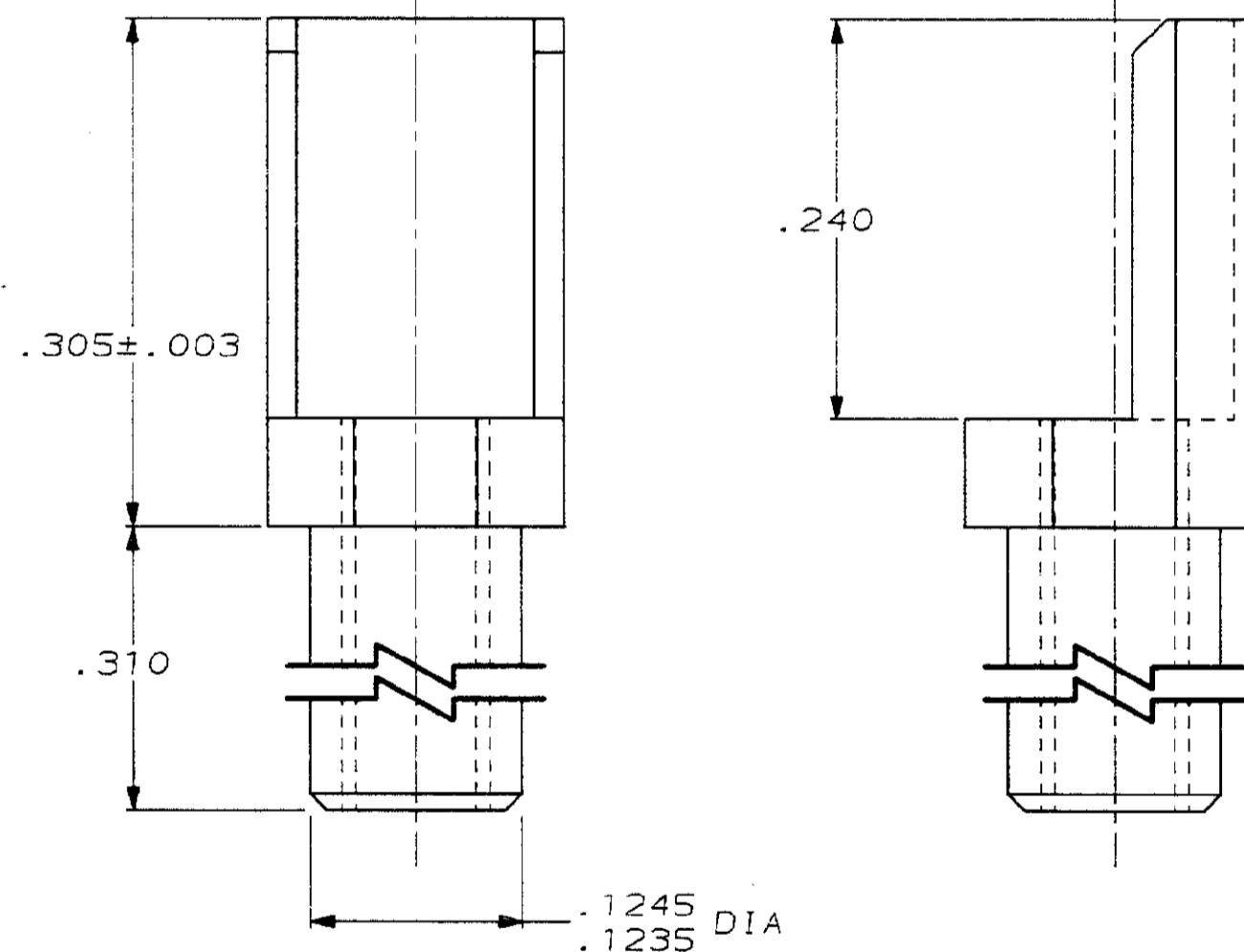
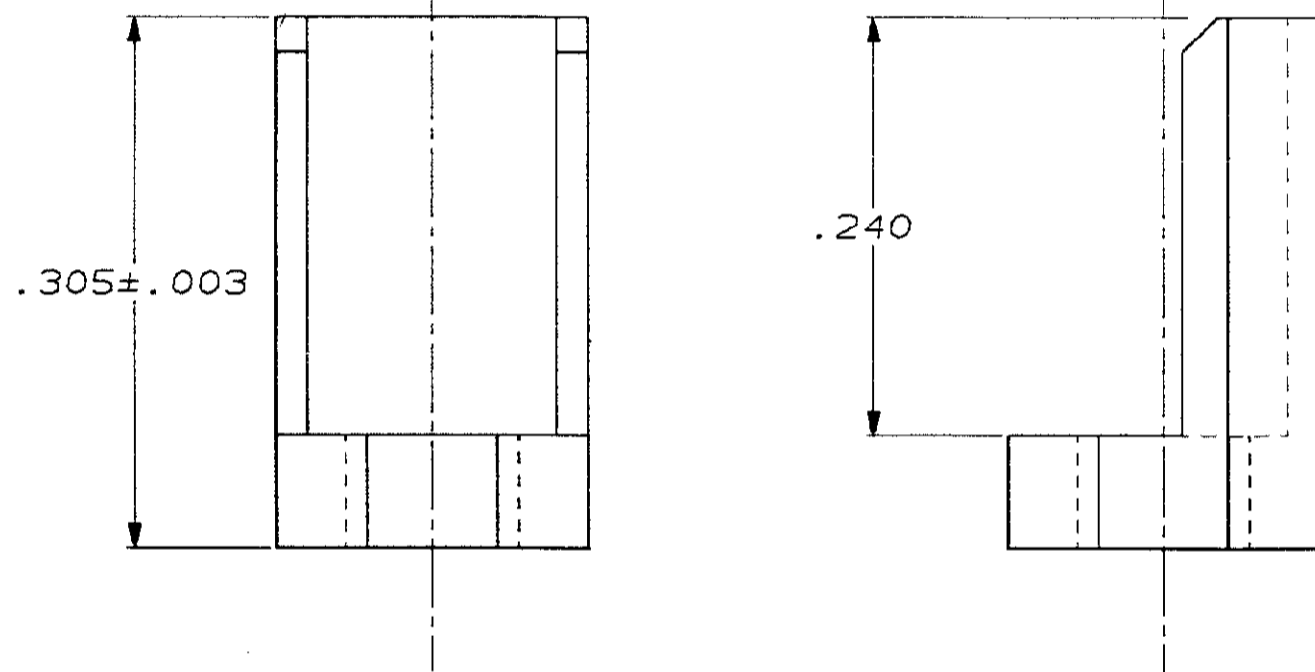
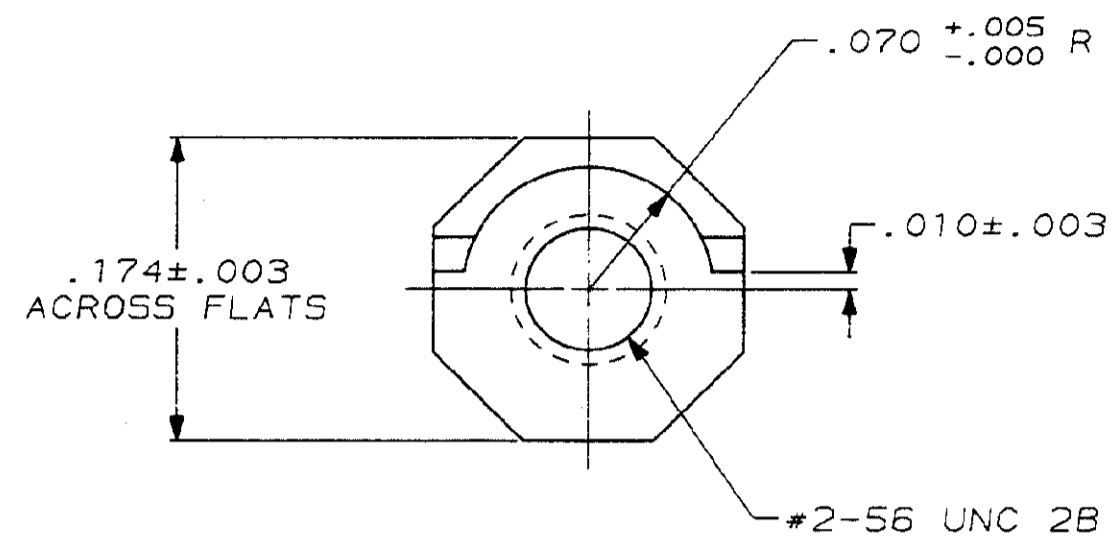
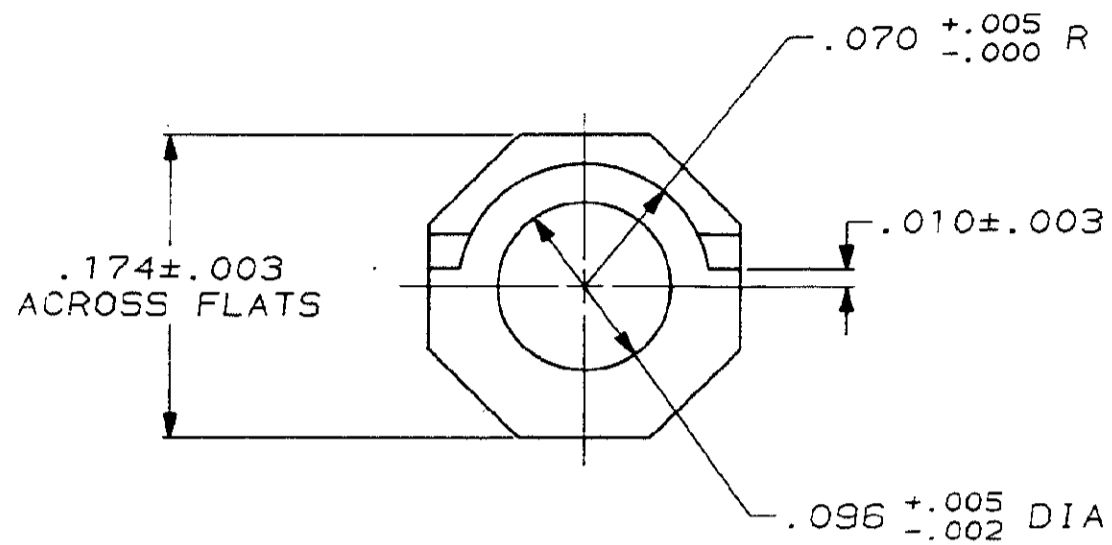
3

2

LOC DIST  
AB 4

THIS DRAWING IS UNPUBLISHED. RELEASED FOR PUBLICATION  
 © COPYRIGHT 19 BY AMP INCORPORATED, HARRISBURG, PA. ALL INTERNATIONAL RIGHTS RESERVED. AMP PRODUCTS MAY BE COVERED BY U.S. AND FOREIGN PATENTS AND/OR PATENTS PENDING.

REVISIONS						
P	F	ZONE	LTR	DESCRIPTION	DATE	APPROVED
✓	✓		0	WAS 86-5489-020	10/06/86	KEW



534763-1 AS SHOWN  
TYPE 1

534763-3 AS SHOWN  
TYPE 2

**PROTOTYPE STATUS**  
PACOM DEVELOPMENT ENGINEERING

UNLESS OTHERWISE SPECIFIED DIMENSIONS ARE IN INCHES. TOLERANCES ON: DECIMALS ±.005 ANGLES ±		CONTRACT NO		PART NO	
MATERIAL STAINLESS STEEL PER QQ-5-763 CLASS 303		DR <i>QBA</i>		AMP INCORPORATED Harrisburg, Pa.	
FINISH PASSIVATED PER QQ-P-35		CHK <i>DMM</i> 10-9-86		NAME HDI SERIES 25, EXTERNAL KEY	
OTHER APPD		APPD <i>DMM</i> 10-9-86		DRAWING NO 534763	
		DSGN APPD		SIZE C	
				FSCM NO 00779	
				SCALE 10:1	
				SHEET 1 of 1	