



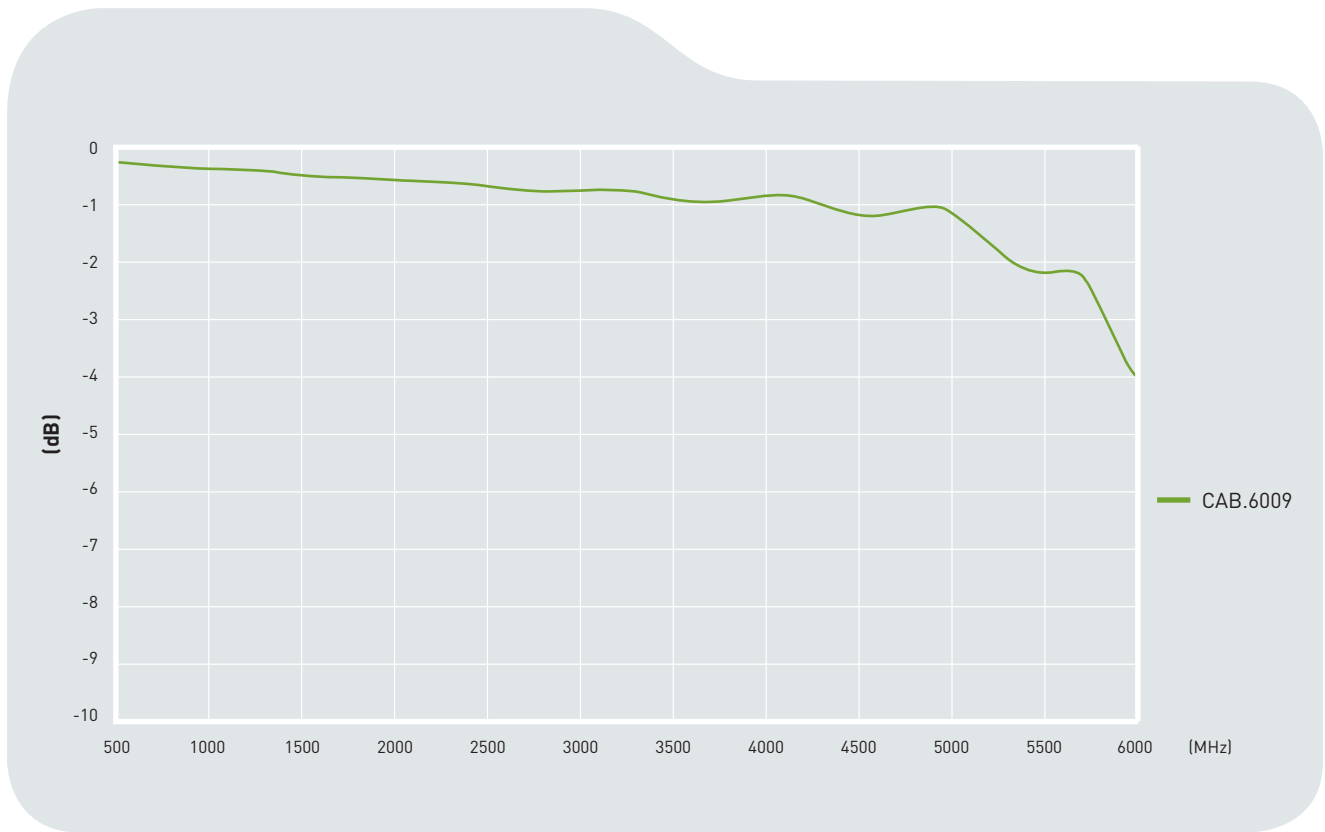
Close-up of CAB.6009

CAB.6009

Specification

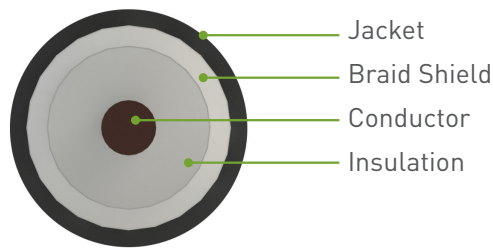
Part No.	CAB.6009
Product Name	CAB.6009 Taoglas Cable Assembly TNC(F) Jack with O-Ring to 100mm (3.94") 1.37 to IPEX MHFHT(U.FL comp)

1. Cable Insertion Loss



2. 1.37 Cable Specification

2.1 Drawing - Cross Section



2.2 Structure and Dimensions



Conductor

- Material - Silver Coated Copper
- 30AWG(7/0.102mm)
- Diameter - 0.31mm

Insulation

- Material - FEP
- Avg. Thickness - 0.30mm
- Diameter - $0.92 \pm 0.03\text{mm}$
- Colour - Clear

Braid Shield

- Material - Silver Coated Copper
- Structure - 16/6/0.050mm ± 0.003
- Coverage - 95%
- Diameter - $1.15 \pm 0.05\text{mm}$

Jacket

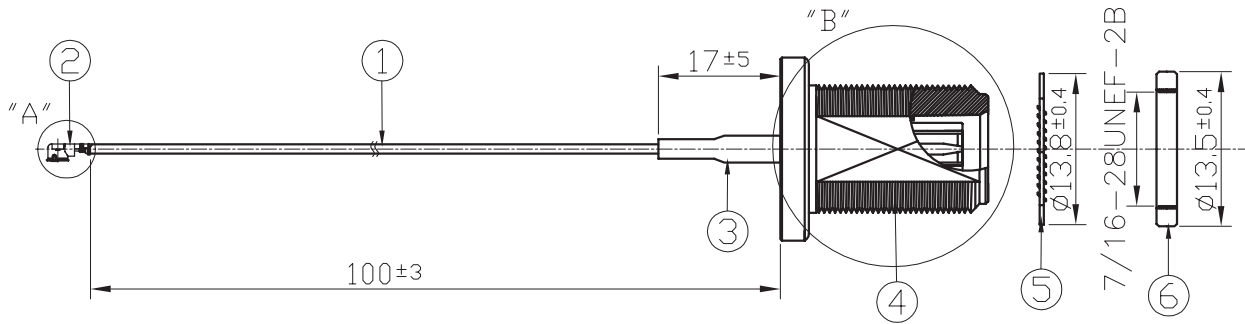
- Material - FEP
- Avg. Thickness - 0.13mm
- Diameter - $1.37 \pm 0.05\text{mm}$
- Color - Grey GY-08/Black

2.3 Electrical & Physical Specification

SPECIFICATION			
Item:		30 AWG	
Rating Temp Voltage:		105°C 30V UL 1979	
Insulation Resistance:		3000 MEGA OHM-KM Min.	
Conductor Resistance:		335 OHM/KM/20°C Max.	
Dielectric Strength:		AC 1.0 KV/minute	
Spark test:		2.5 KV	
Insulation	Unaged	Tensile Strength	2500 PSI Min.(1.76Kg/mm ²)
	Aged	Elongation	200% min.
Jacket	Unaged	Tensile Strength	Unaged Min 75%(168HRS*232°C)
	Aged	Elongation	Unaged Min 75%(168HRS*232°C)
Insulation	Unaged	Tensile Strength	2500 PSI Min.(1.76Kg/mm ²)
	Aged	Elongation	200% min.
Jacket	Unaged	Tensile Strength	Unaged Min 75%(168HRS*232°C)
	Aged	Elongation	Unaged Min 75%(168HRS*232°C)
Nom. Impedance		50 ± 3 Ohms	
Nom. Capacitance		96 ± 3 pF/m	
Nom. Vel. Of Prop.		69%	
VSWR (0-6GHz)		Max 1.3	
Flame Test		VW-1 OK	
Thermal Shock		Less 1mm at 232°C/1 HR	
Bend Radius		9mm min.	
Attenuation (dB/1M)		2.0GHz	2.20
		2.4GHz	2.60
		3.0GHz	2.80
		4.0GHz	3.40
		5.0GHz	3.80
		6.0GHz	4.30

3. Technical Drawing

3.1 CAB.695



	Name	Material	Finish	QTY
1	1.37 Coaxial Cable	FEP	Black	1
2	IPEX MHFI Connector	Brass	Gold	1
3	Heat Shrink Tube	PE	Black	1
4	TNC(F)ST O-Ring	Brass	Ni Plated	1
5	TNC Washer	Brass	Ni Plated	1
6	TNC NUT	Brass	Ni Plated	1

3.2 Connectors

