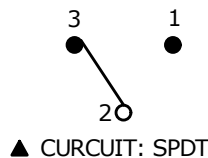
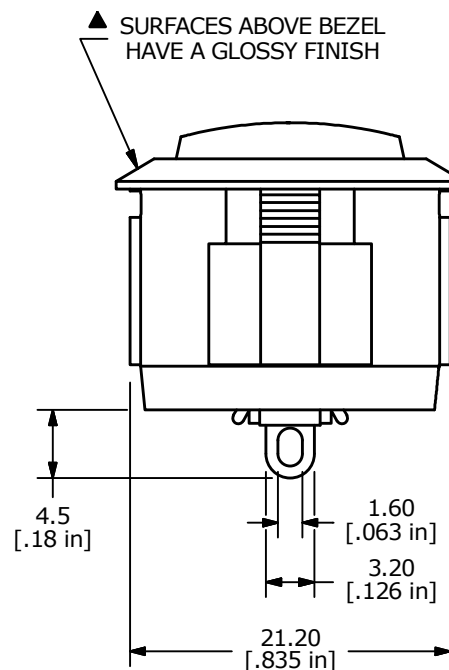
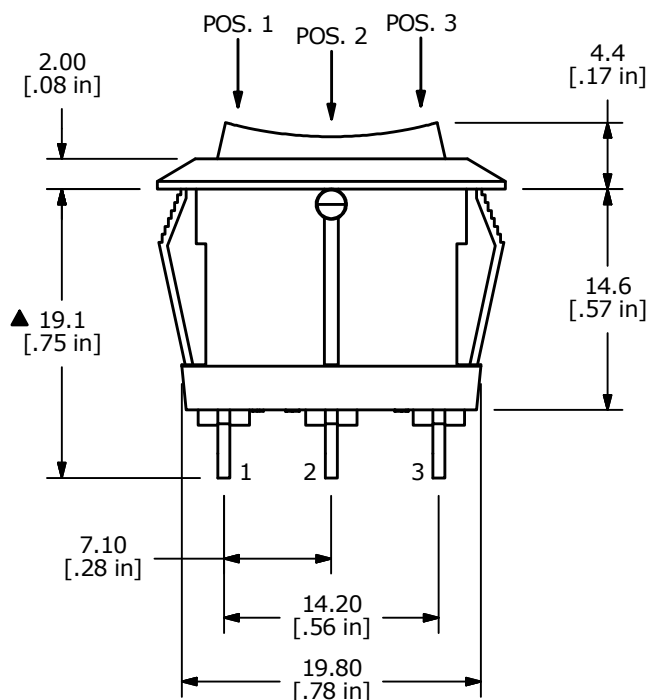


▲ SWITCH FUNCTION		
POS. 1	POS. 2	POS. 3
ON	OFF	ON
2-3	OPEN	2-1



NOTE:

- DIMENSIONS IN MM [INCH]
- GENERAL TOLERANCE: X.X =  $\pm 0.4$   
X.XX =  $\pm 0.25$
- TERMINAL NUMBERS FOR REF ONLY
- CONTACT MATERIAL: SILVER
- CONTACT RATINGS: 10A @ 125VAC [UR, cUR]  
10A @ 125V~ [NOM]  
6A @ 250V~ [NOM]  
6(2)A @ 250V~ [ENEC14]
- CONTACT RESISTANCE: 35m $\Omega$  MAX. @ 50VAC
- INSULATION RESISTANCE: 1000M $\Omega$  MIN. @ 500VAC
- DIELECTRIC STRENGTH: 1,500VAC FOR 1 MINUTE
- ELECTRICAL LIFE: 6,000 CYCLES [UR, cUR, NOM]  
10,000 CYCLES [ENEC14]
- OPERATING TEMP.: -20°C to 105°C [UR, cUR, NOM]  
-20°C to 125°C [ENEC14]
- ▲ DENOTES CRITICAL PARAMETER
- 2011/65/EU (ROHS) COMPLIANT



B	23472	REMOVED SEMKO RATING	7/24/18	MJR
A	22763	New Release	3/16/17	MW
REV	PCR NO	DESCRIPTION	DATE	BY

TITLE RRG35531100				
SCALE 2:1	DATE 3/16/2017	DR MW	DWG 38-RRG35531100	REV B

THE INFORMATION CONTAINED IN THIS DOCUMENT IS PROPRIETARY TO E-SWITCH AND IS NOT TO BE COPIED OR TRANSFERRED