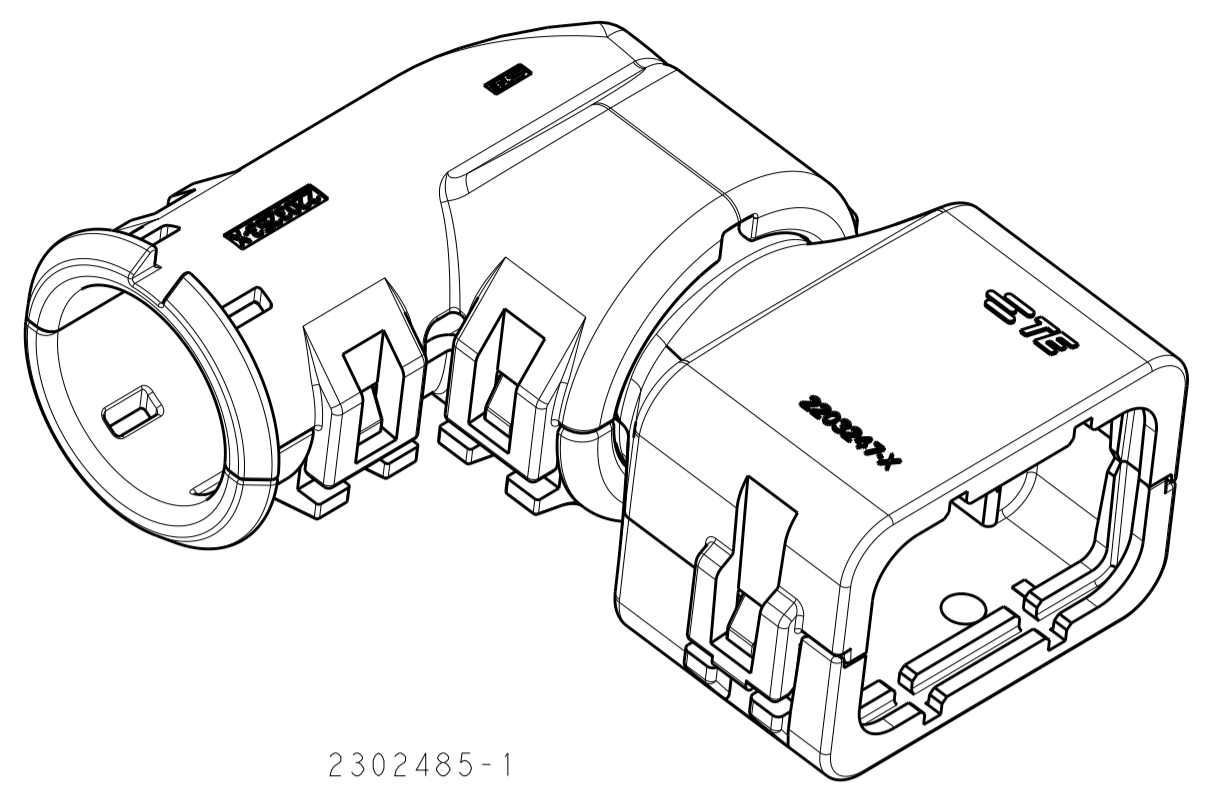
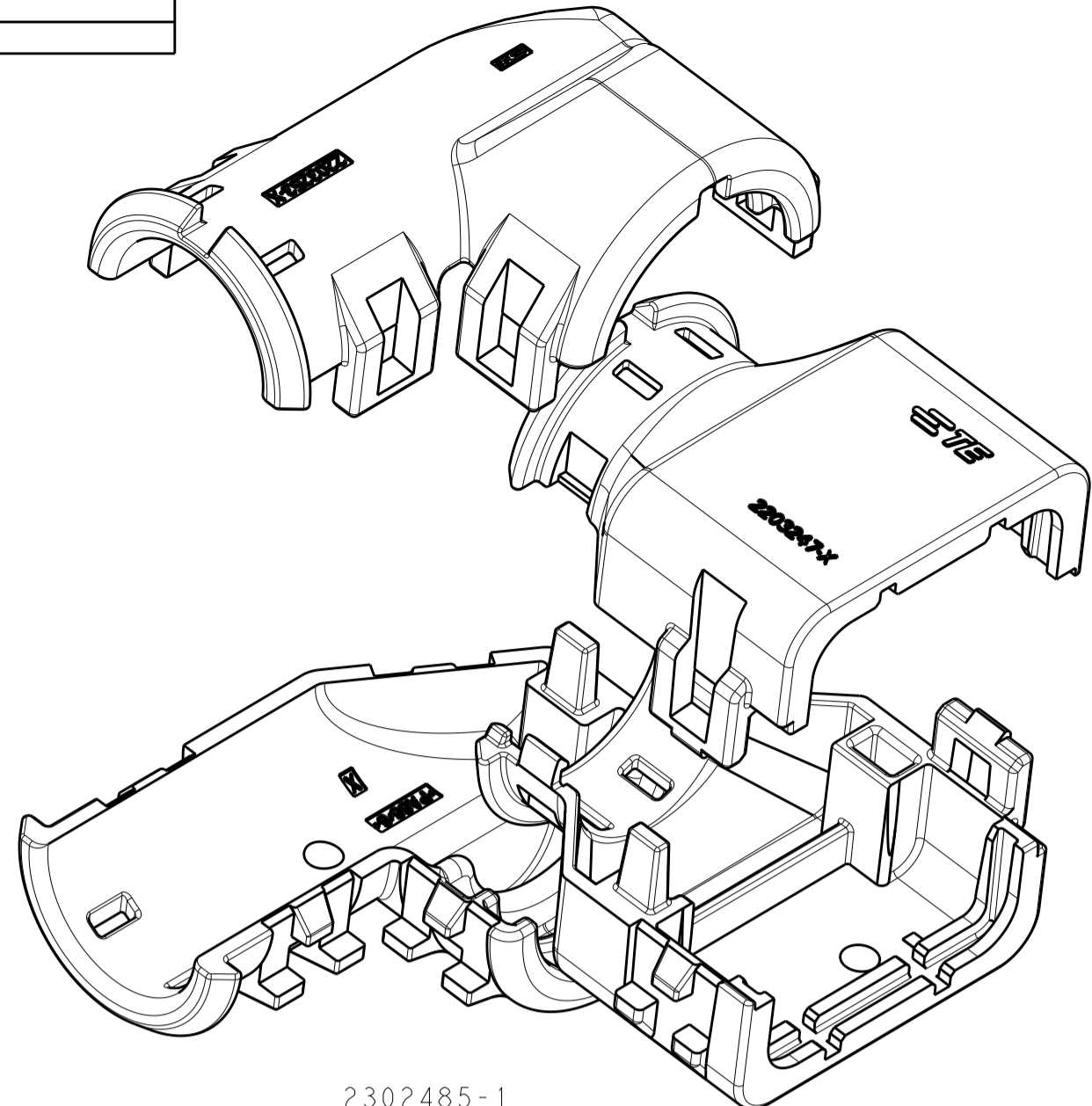


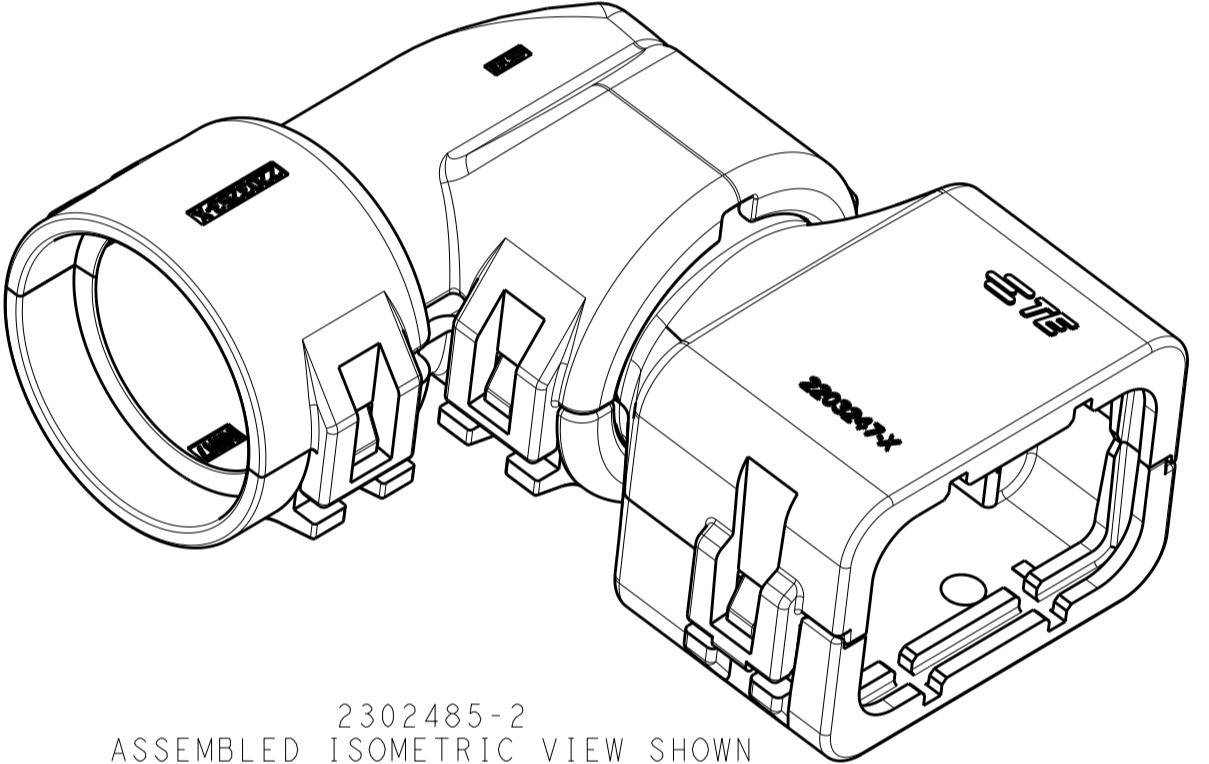
REVISIONS				
P.	LTN.	DESCRIPTION	DATE	APP'D.
A		RELEASED PER ECO-16-008203	01JUN2016	JM RB
A2		REV PER ECO-16-013256	08SEP2016	JM RB



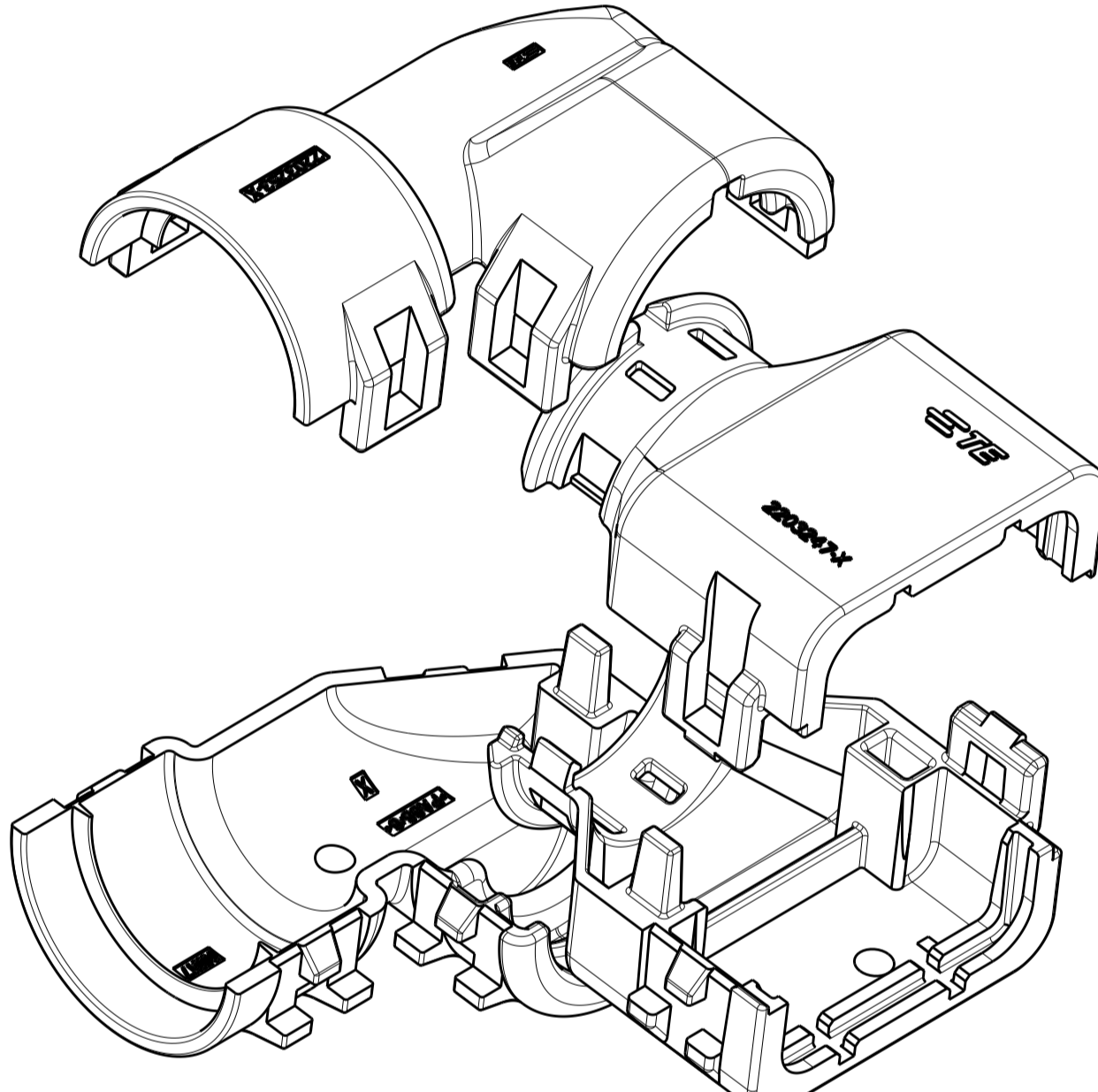
2302485-1
ASSEMBLED ISOMETRIC VIEW SHOWN



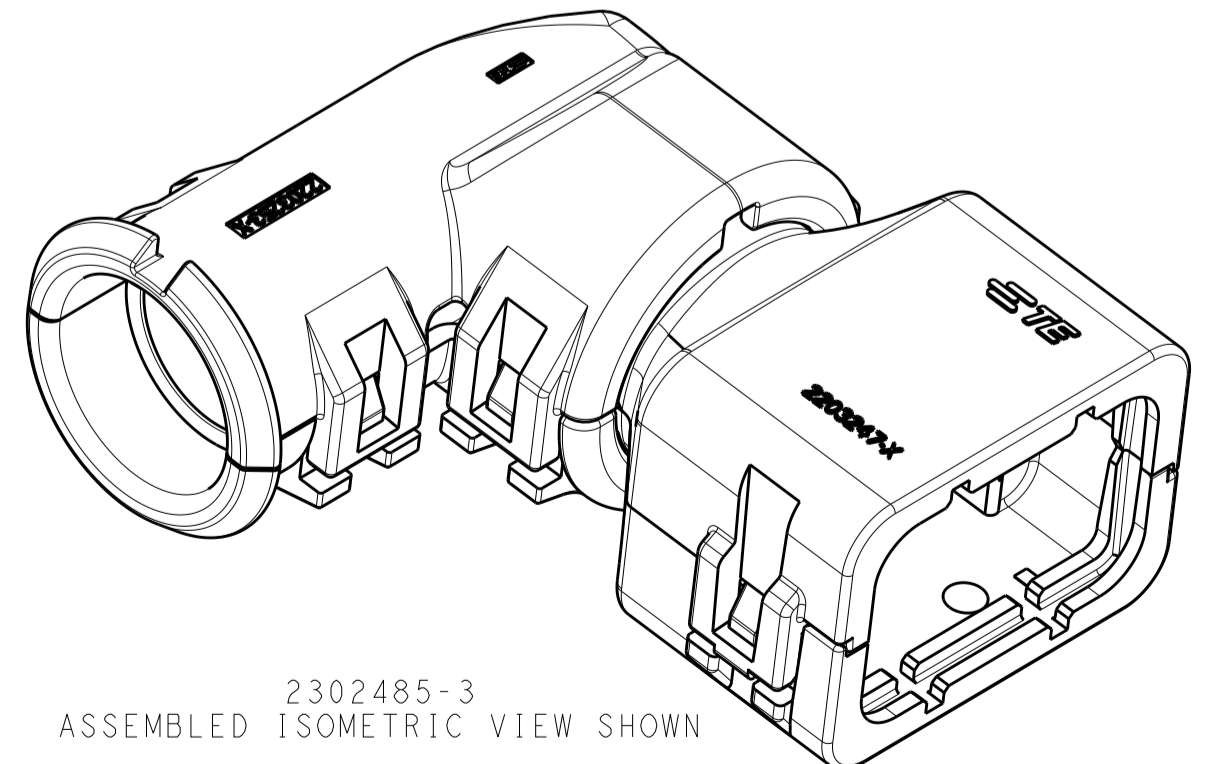
2302485-1
EXPLODED ISOMETRIC VIEW SHOWN



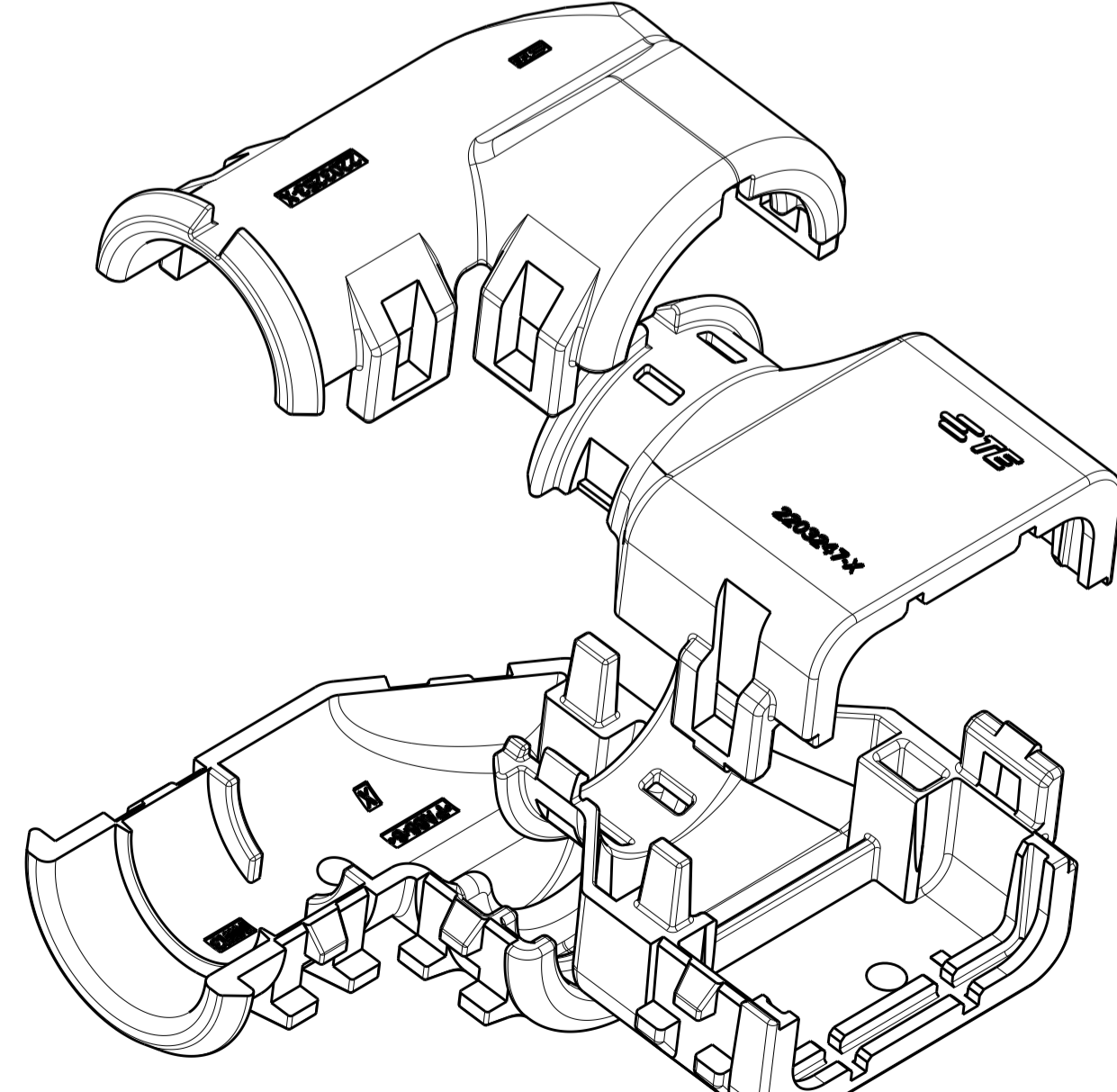
2302485-2
ASSEMBLED ISOMETRIC VIEW SHOWN



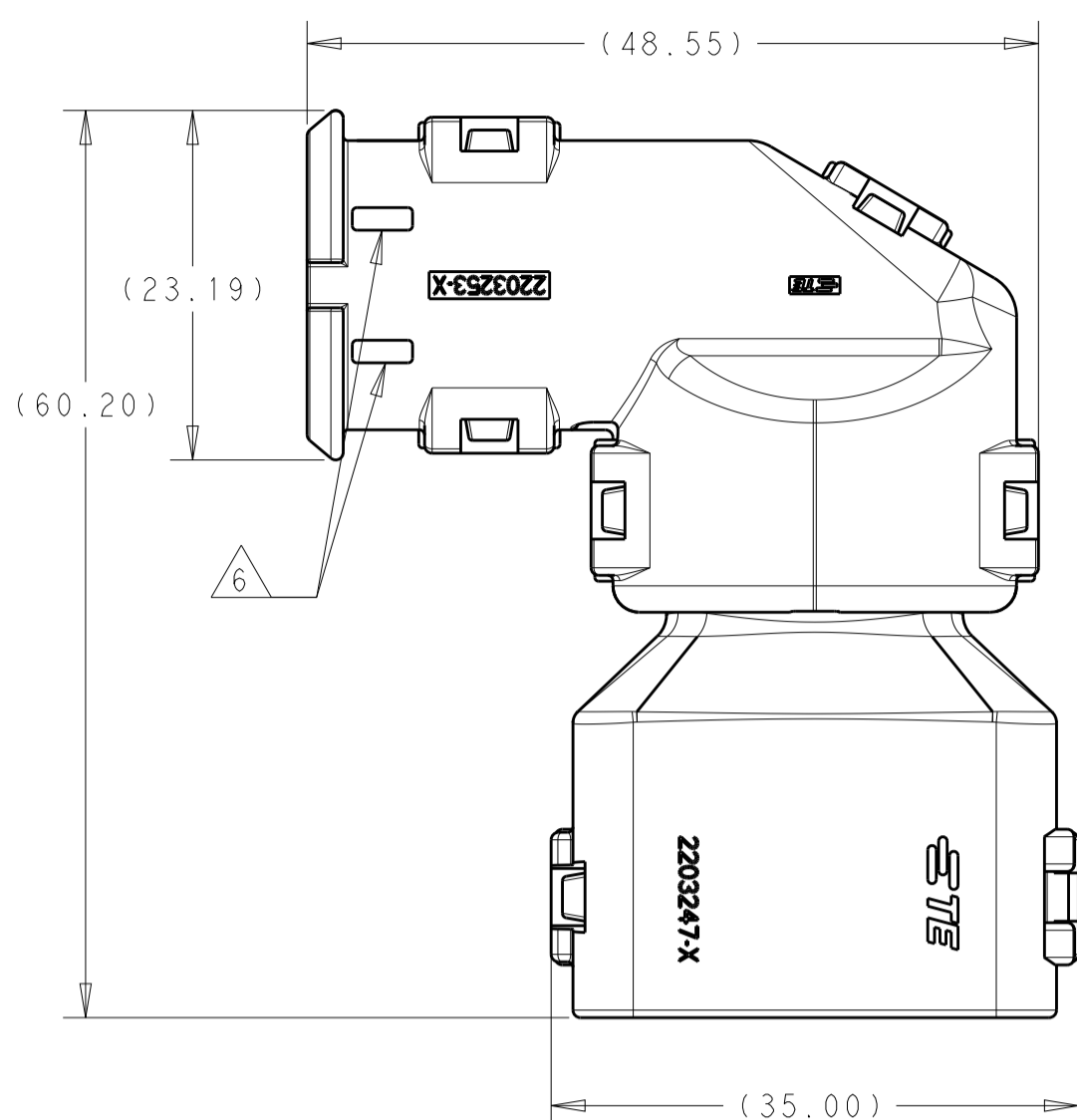
2302485-2
EXPLODED ISOMETRIC VIEW SHOWN



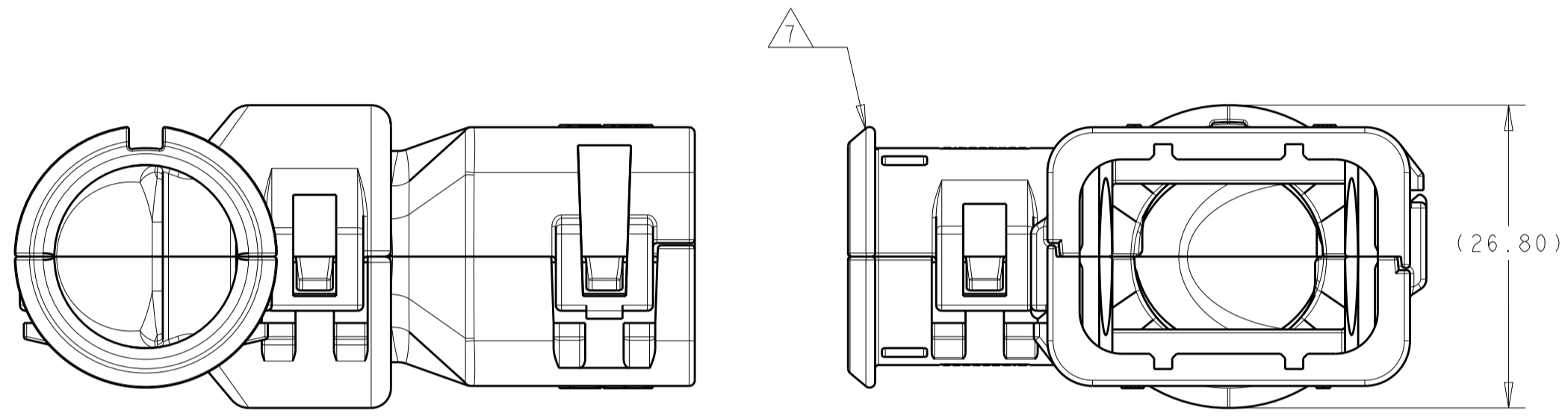
2302485-3
ASSEMBLED ISOMETRIC VIEW SHOWN



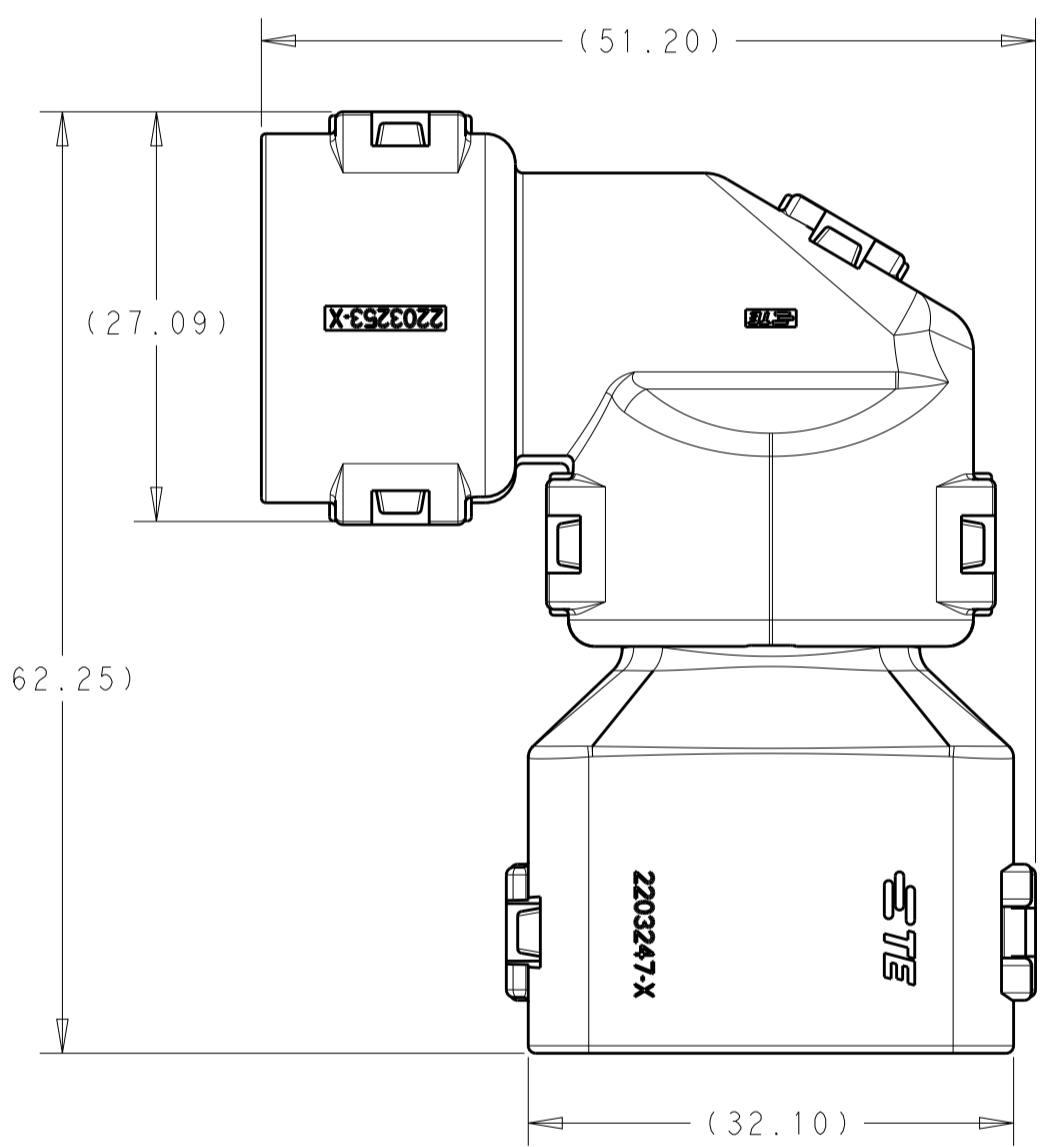
2302485-3
EXPLODED ISOMETRIC VIEW SHOWN



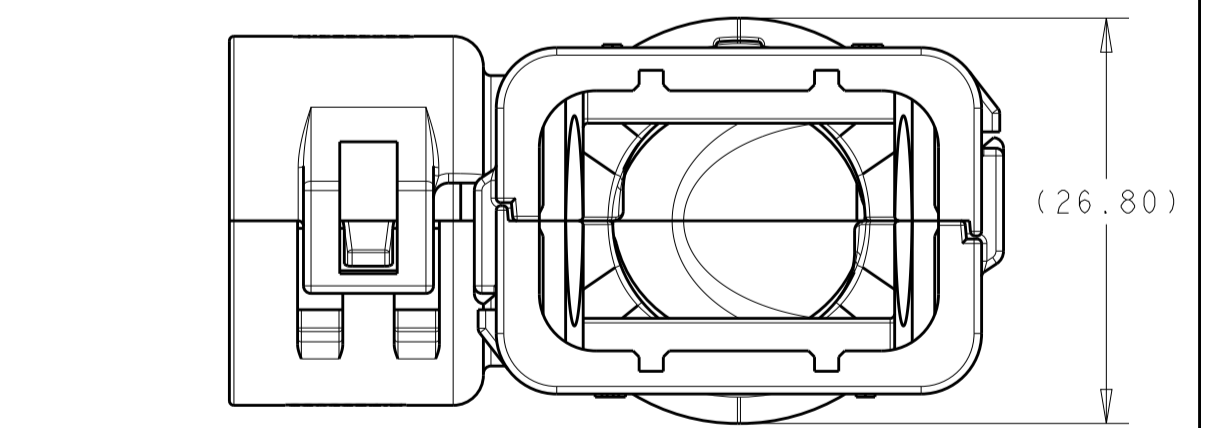
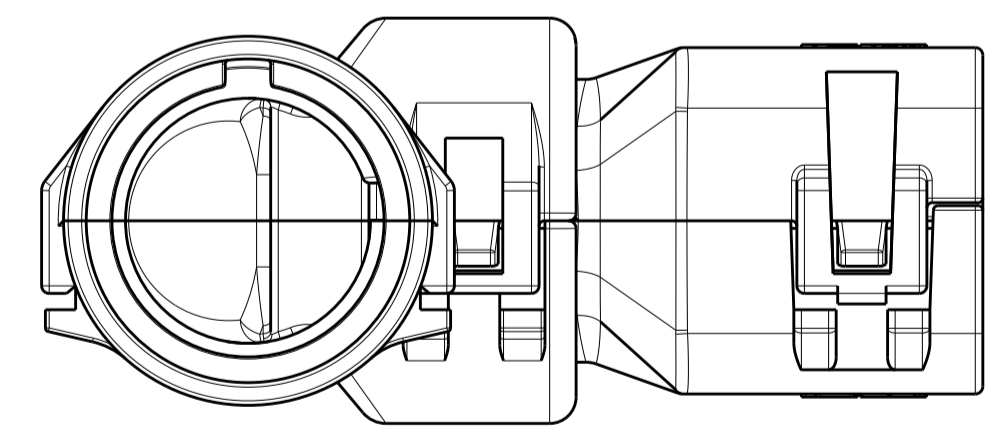
- 1 MATERIAL: NYLON MOLDING COMPOUND, BLACK, PA66/6.
- 2 BACKSHELL DESIGNED SUCH THAT TWO HALVES ATTACH TO ONE ANOTHER AND CLAMP AROUND THE CONNECTOR COVER.
- 3 ELBOW DESIGNED SUCH THAT TWO HALVES ATTACH TO ONE ANOTHER AND CLAMP AROUND THE BACKSHELL COLLAR.
- 4 DIMENSIONS TO BE MEASURED WHEN ELBOWS AND BACKSHELLS ASSEMBLED.
- 5 PRODUCT WEIGHTS:
2302485-1: 14.15g ASSEMBLED
2302485-2: 14.60g ASSEMBLED
2302485-3: 14.35g ASSEMBLED
- 6 4MM WIDE SLOTS FOR TIE WRAP TO SECURE HARNESS WIRES (-1 ONLY).
- 7 HEAT SHRINK TUBING FEATURE (-1 AND -3 ONLY).
- 8. INSTRUCTION SHEET: 408-151043.
- 9. CONDUIT PROFILE: NORMAL ONLY.



2302485-1
ASSEMBLED VIEW SHOWN
DIMENSIONS SHOWN TYPICAL FOR 2302485-1 AND -3



2302485-2
ASSEMBLED VIEW SHOWN
DIMENSIONS SHOWN FOR 2302485-2 ONLY



FITS ON CAP ASSY	CORREGATE NC	CORREGATE NW	PART NUMBER
776495-X	NC16	NW13	2302485-3
776538-X	NC20	NW17	2302485-2
	SMOOTH	SMOOTH	2302485-1

THIS DRAWING IS A CONTROLLED DOCUMENT.		DWG: J. MCNEAL 26APR2016 CHK: R. BALTER 26APR2016 APP'D: R. BALTER 26APR2016	STE TE Connectivity	
DIMENSIONS: mm 0 PLC ± 1 PLC ± 2 PLC ± 3 PLC ± 4 PLC ± ANGLES ±		NAME: BACKSHELL AND ELBOW KIT, 8 POSN CAP ASSY, AMPSEAL 16 PRODUCT SPEC: 108-151043 APPLICATION SPEC:		RESTRICTED TO
MATERIAL: 1		WEIGHT: 5	SIZE: A1	CAGE CODE: 00779
CUSTOMER DRAWING		SCALE: 2:1	SHEET: 1	OF: 1
			REV: A2	