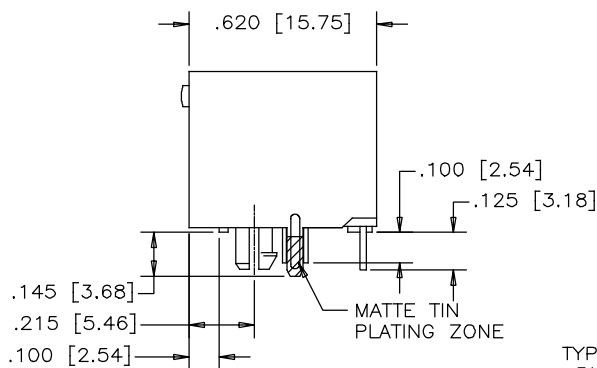
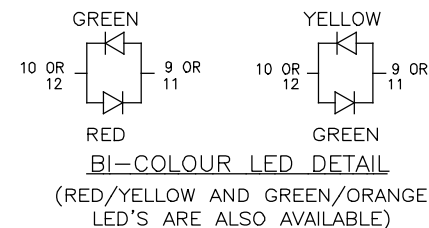


FRONT VIEW



SIDE VIEW

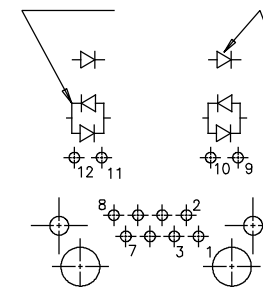
REVISIONS				
SYM	ZONE	ECN, ERN NO.	DATE	APPRD.
A		PROPOSAL	JAN.22/13	L.CHAN
B		PROPOSAL	APR15/13	L.CHAN
C		CHANGE SHIELD TAIL PLATING	APR17/17	L.CHAN



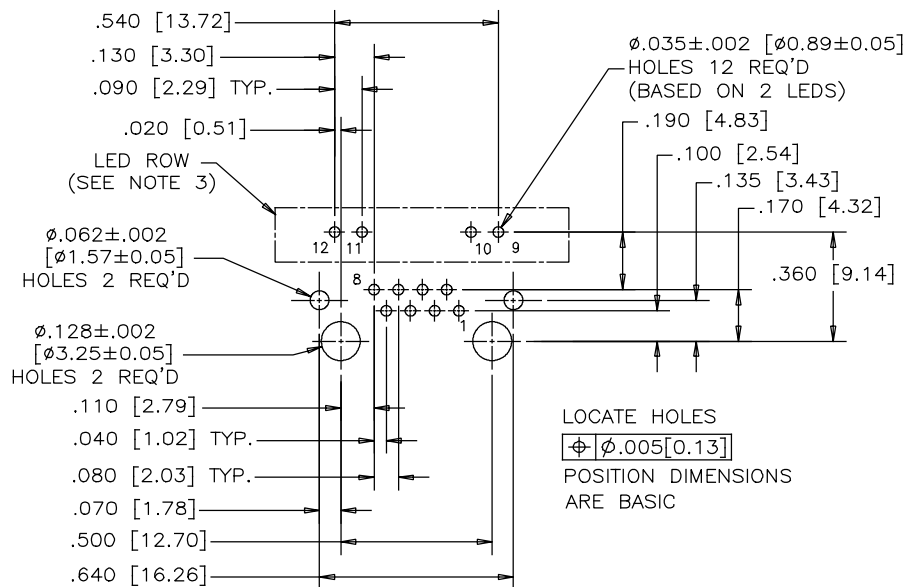
(RED/YELLOW AND GREEN/ORANGE LED'S ARE ALSO AVAILABLE)

TYPICAL FOR BI-COLOUR LED

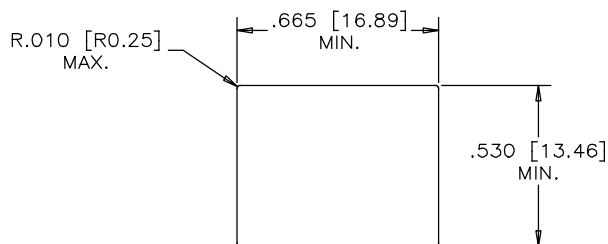
TYPICAL FOR SINGLE COLOR LED (RED, GREEN, OR YELLOW)



LED SCHEMATIC



RECOMMENDED P.C.B. LAYOUT
(COMPONENT SIDE OF BOARD)



RECOMMENDED PANEL CUTOUT

NOTES:

- MATERIALS:**
 PLASTIC HOUSING: HIGH TEMPERATURE THERMOPLASTIC
 FLAMMABILITY RATING UL 94V-0, COLOR: BLACK

 CONTACTS: PHOSPHOR BRONZE
 PLATING: 15 μ " [0.38 MICRONS]
 MIN. GOLD ON MATING SURFACES.
 50 μ " [1.27 MICRONS]
 MIN. NICKEL UNDERPLATE
 100 μ " [2.54 MICRONS]
 MIN. MATTE TIN ON CONTACT TAILS.

 SHIELD: STAINLESS STEEL WITH MATTE TIN PLATING ON SOLDER TAIL
- RECOMMENDED SOLDERING TEMPERATURE:**
 WAVE SOLDERING AT 260°C MAXIMUM FOR 5 SEC MAXIMUM.
- PART NUMBER:** RJHSE-GF8X
 REFER TO LED OPTIONS DRAWING FOR ORDERING CODES



THIS DOCUMENT CONTAINS PROPRIETARY INFORMATION AND SUCH INFORMATION MAY NOT BE DISCLOSED TO OTHERS FOR ANY PURPOSE OR USED FOR MANUFACTURING PURPOSES WITHOUT WRITTEN PERMISSION FROM AMPHENOL CANADA CORP.

DRAWN	AMY.Z	DATE	JAN22/13	Amphenol Canada Corp.	
DESIGNED					
CHECKED	L.CHAN	DATE	JAN22/13		
I. E. APPRD.					
Q. A. APPRD.				TITLE	HIGH SPEED, RJ45, MODULAR JACK, 8 POSITION, 8 CONTACTS, WITH LED'S SHIELDED WITHOUT TABS-RoHS COMPLIANT
DWG. APPRD.				DWG	DRAWING NO.
ENG. REL. NO.					P-RJHSE-GF8X
REF.				REV.	C
DIMENSIONS ARE IN INCHES [mm]	CODE ID. NO.	03554	SCALE	WT.	SURF.
					SHEET 1 OF 1