

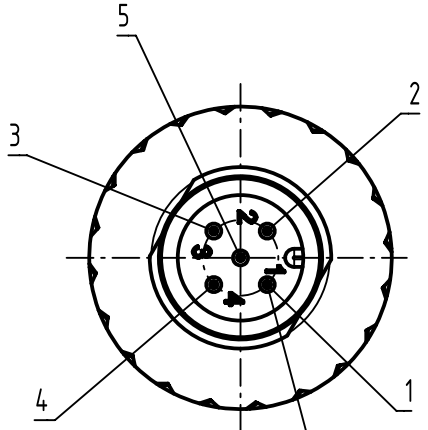
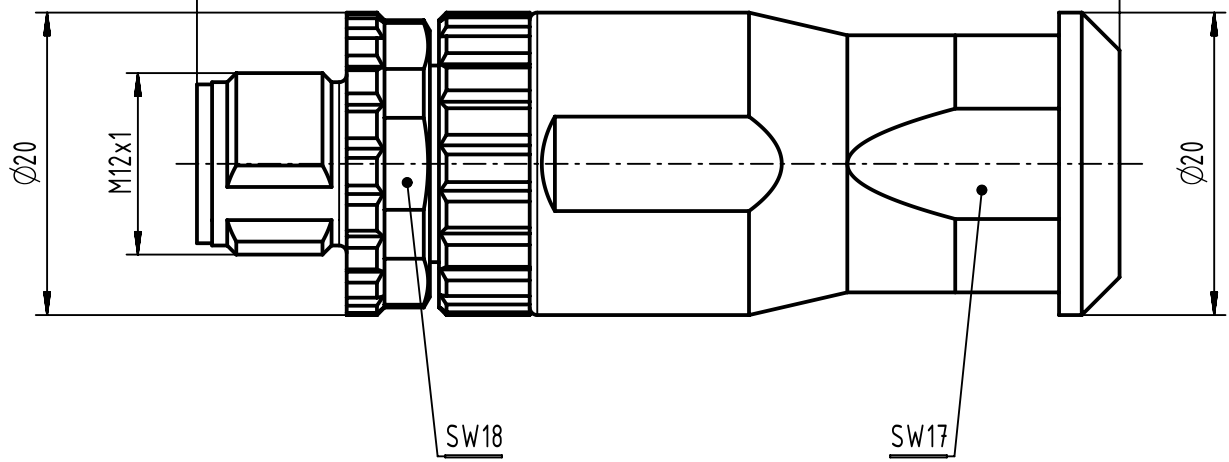
A

B

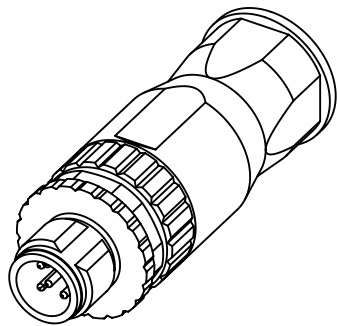
C

D


complete length when assembled app. 61mm



contact face acc. to IEC 61076-2-101



conductor cross section	1.5mm ² max. AWG16
cable outside diameter	4 - 8mm

 All rights reserved Department EC PD - DE	All Dimensions in mm Original Size DIN A4		Scale 2:1	Free size tol.		Ref. Sub.
	Created by EISFELD	Inspected by WELLMANN	Standardisation KOHLER	Date 2015-05-11	State Final Release	
HARTING Electronics GmbH D-32339 Espelkamp	Title HARTING M12 screw straight 5-pole A-coded male					Doc-Key / ECM-Nr. 100619001/UGD/000/A 500000088343
	Type TB	Number 21033191501				Rev. A