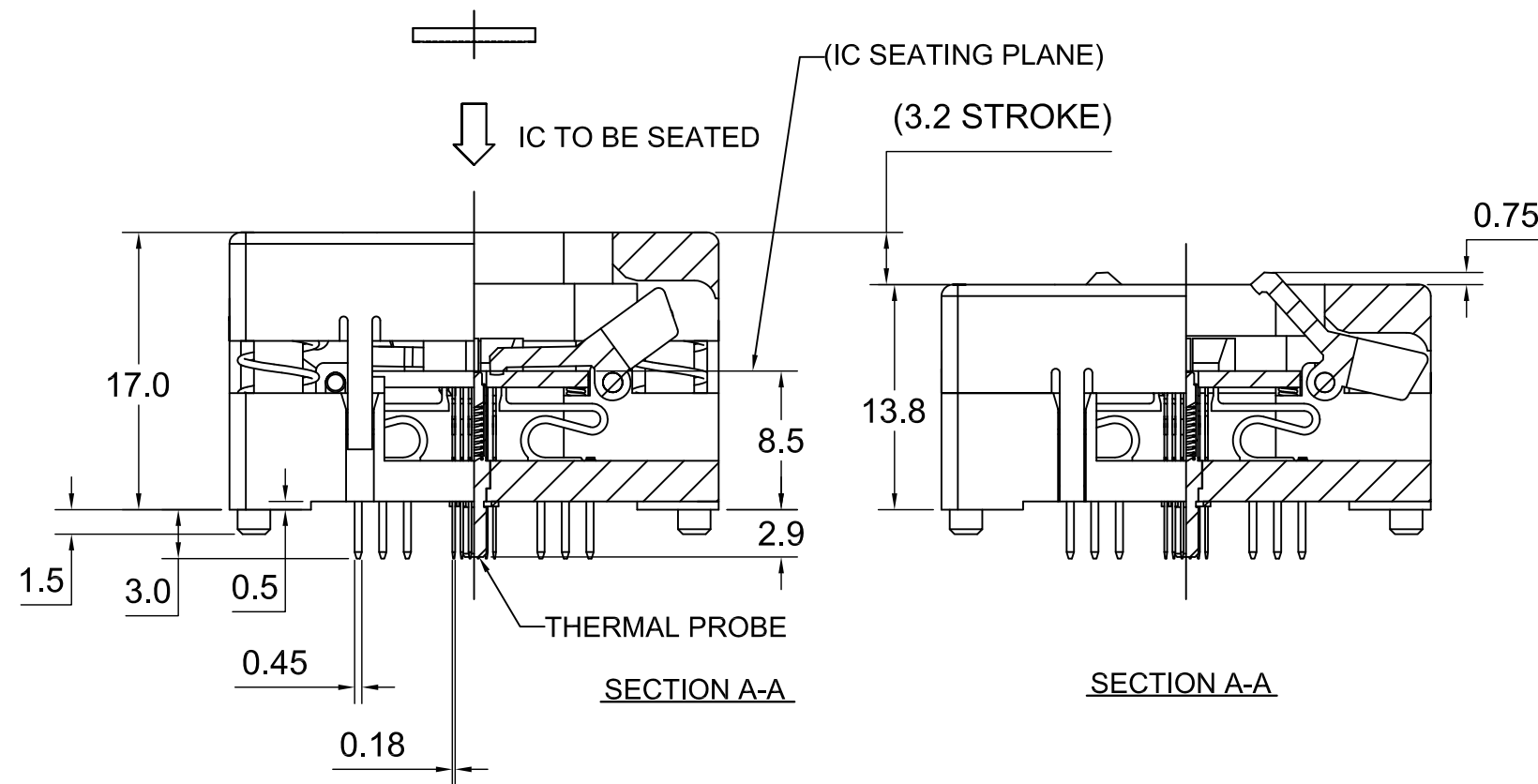
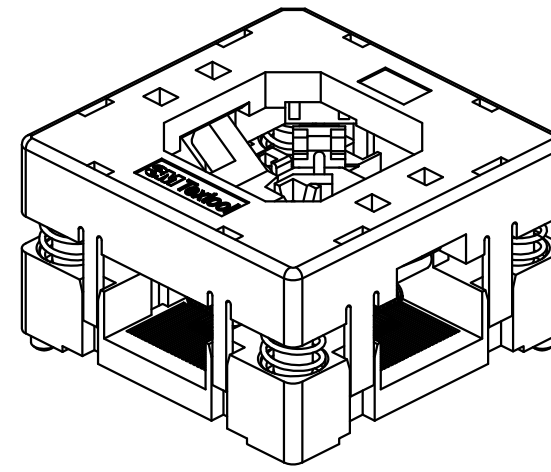
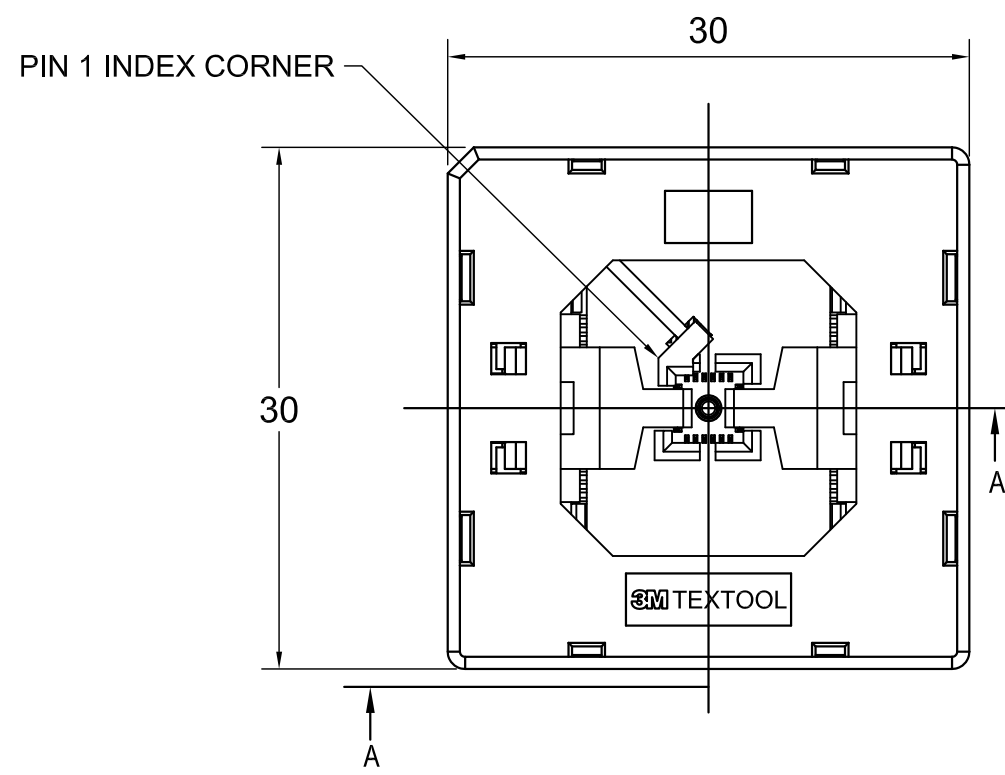


# 3M™ TEXTTOOL™ QFN TEST AND BURN-IN SOCKET



## NOTES:

### 1. MATERIALS:

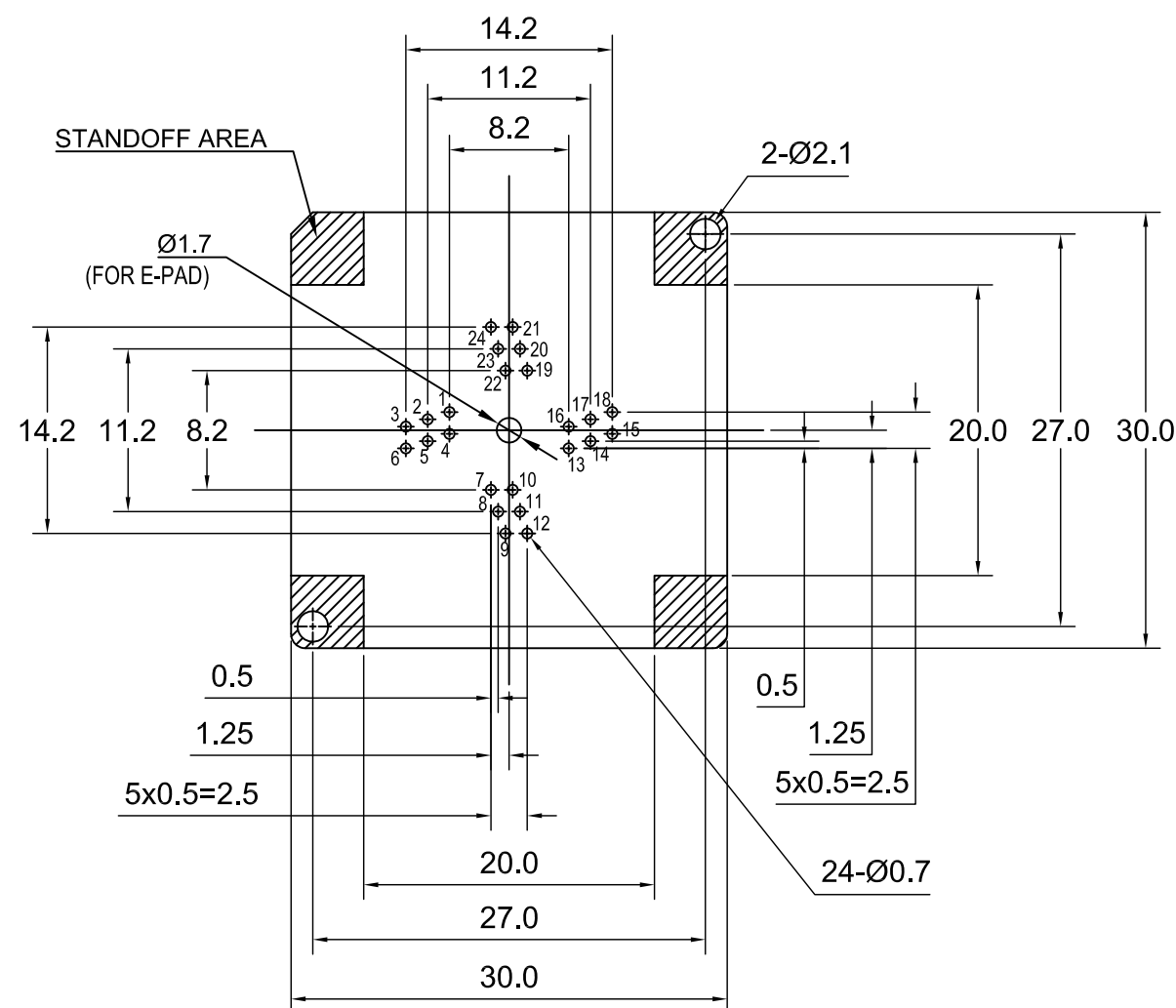
SPRINGS	SS	PLATING : Au
CONTACTS	Be Cu	COLOR : BLACK
IC GUIDES	PES	COLOR : BLACK
PRESSURE PAD	PES	COLOR : BLACK
COVER	PPS or equiv.	COLOR : BLACK
BASE	PES	COLOR : BLACK

2. SEE THE REGULATORY INFORMATION APPENDIX (RIA) IN THE "RoHS COMPLIANCE" SECTION [WWW.3MCONNECTOR.COM](http://WWW.3MCONNECTOR.COM) FOR COMPLIANCE INFORMATION (RIA E1 & C1 APPLY).

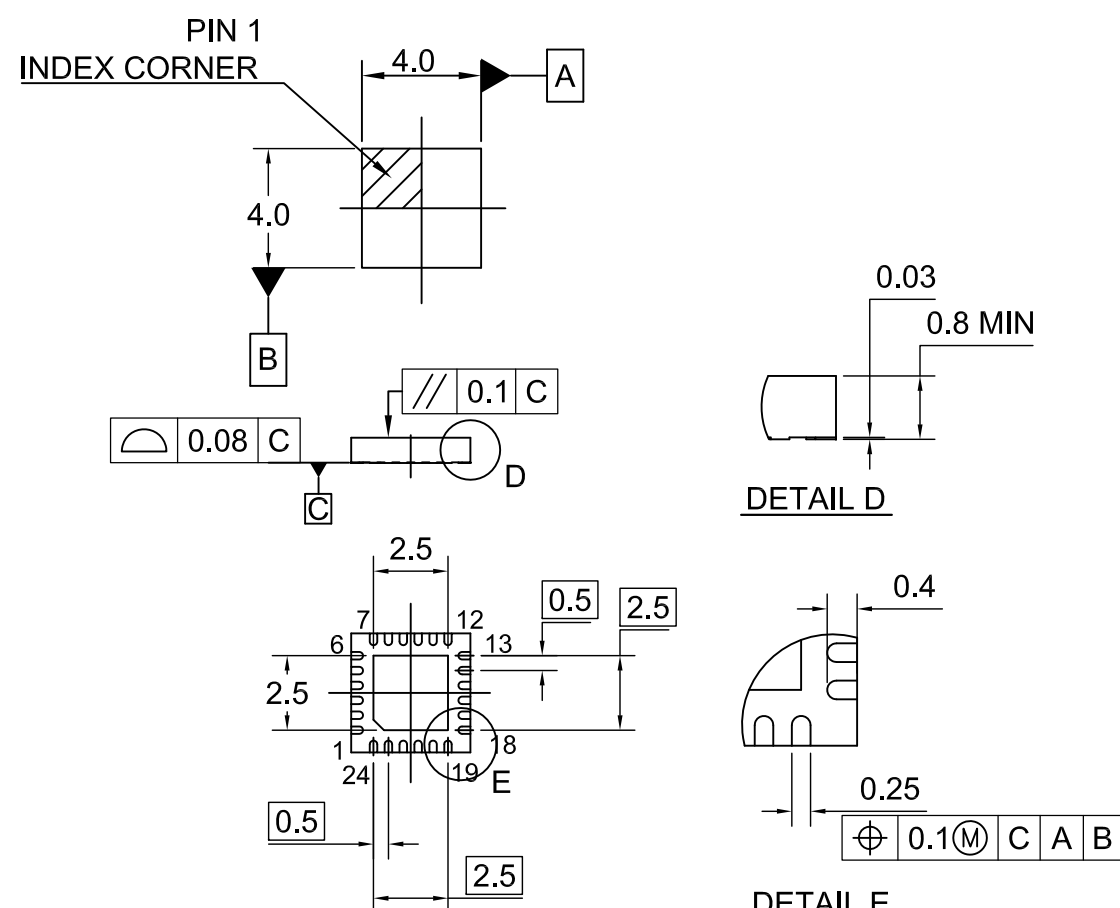
3. FOR PRODUCT SPECIFICATIONS AND WARRANTY INFORMATION SEE:

[WWW.3MCONNECTOR.COM](http://WWW.3MCONNECTOR.COM) PN 224-5205-01

DESIGN REFERENCE		NEXT ASSEMBLY		REV	ECO	ISSUE DATE AND DESCRIPTION		LDS	ARM
DISTRIBUTION CODES				DRFT	L SCHMIDT		DATE 4/2/12	DATE	DATE
DIVISION		DIVISION CODE		CHKD			DATE	DATE	DATE
DO NOT SCALE DRAWING	SCALE 5/1	TOLERANCES EXCEPT AS NOTED				© 3M COPYRIGHT 2012 This document is the copyrighted property of the 3M Company and may not be reproduced without 3M written permission or used for other than 3M authorized purposes.			
THIRD ANGLE PROJECTION		INTERPRET PER ASME Y14.5 - 1994		INCHES .0 ± .1 .00 ± .02 .000 ± .005 .0000 ± .0002		TITLE <b>QFN TEST SOCKET 0.5mm                  24 POS, EVEN ROW, 4X4 PKG                  WITH TP</b>			
MAX SURFACE ROUGHNESS 125		<input type="checkbox"/> ALL SURFACES <input checked="" type="checkbox"/> MARKED ONLY		MILLIMETERS 0 ± .1 .00 ± .005 .000 ± .0002		CAGE NUMBER	SIZE	DRAWING NO.	REV.
<input checked="" type="checkbox"/> ANGLES ± 1°				MODEL	TEXTTOOL - QFN	DET. LISTS	<input type="checkbox"/> YES <input checked="" type="checkbox"/> NO	SHT 1 OF 2	C 78-5100-2519-6 A



FOOTPRINT AS VIEWED LOOKING DOWN FROM TOP OF SOCKET



RECOMMENDED IC (REF.)

DESIGN REFERENCE		NEXT ASSEMBLY		REV	ECO	ISSUE DATE AND DESCRIPTION		DRFT	CHKD
DISTRIBUTION CODES				L SCHMIDT		DATE	4/2/12	MFG	DATE
				CHKD		DATE		APPVL	DATE
DIVISION		DIVISION CODE		<b>3M</b> 3M Center St. Paul, MN 55144		© 3M COPYRIGHT 2012 This document is the copyrighted property of the 3M Company and may not be reproduced without 3M written permission or used for other than 3M authorized purposes.			
DO NOT SCALE DRAWING		SCALE 5 1							
THIRD ANGLE PROJECTION		INTERPRET PER ASME Y14.5 - 1994		INCHES .0 ± .1 .00 ± .02 .000 ± .005 .0000 ± .0002		TITLE <b>QFN TEST SOCKET 0.5mm 24 POS, EVEN ROW, 4X4 PKG WITH TP</b>			
MAX SURFACE ROUGHNESS 125 ✓ <input type="checkbox"/> ALL SURFACES <input checked="" type="checkbox"/> MARKED ONLY		ANGLES ± 1°		MILLIMETERS 0 ± .1 .00 ± .005 .000 ± .0002					
				MODEL		TEXTTOOL - QFN		DET. LISTS <input type="checkbox"/> YES <input checked="" type="checkbox"/> NO SHT 2 OF 2	
						78-5100-2519-6		A	