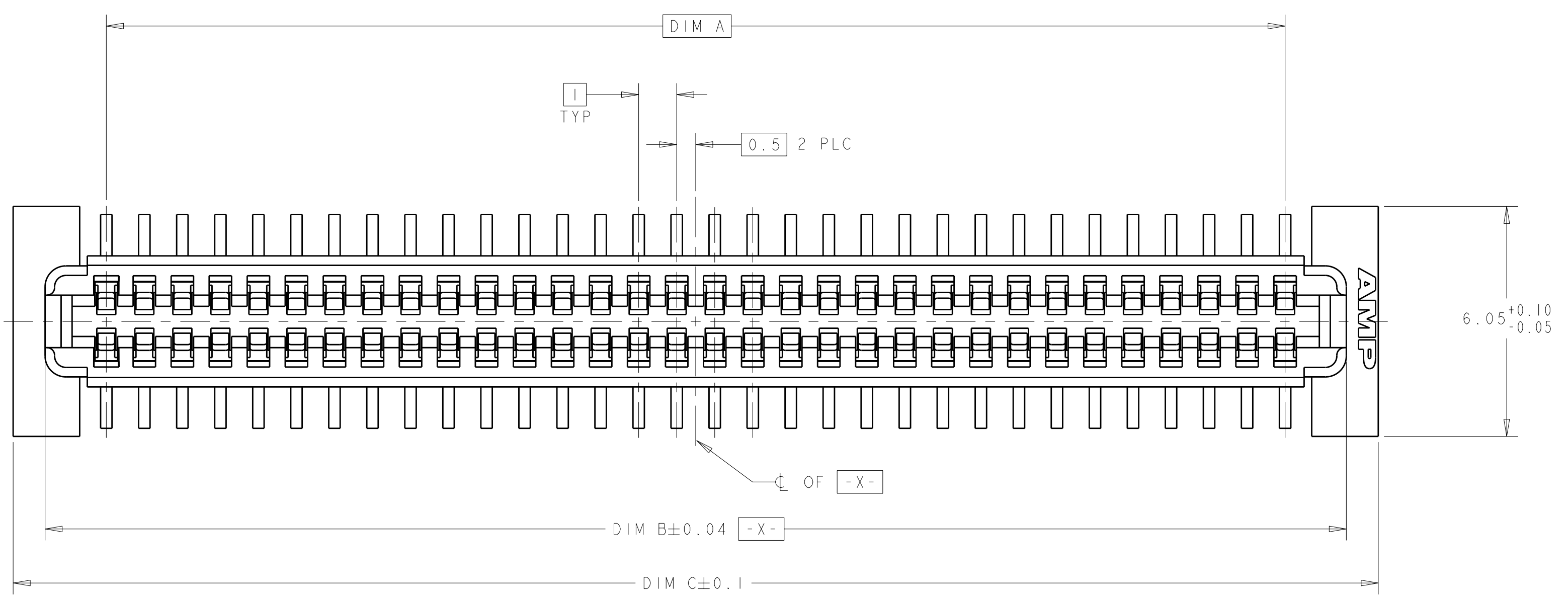
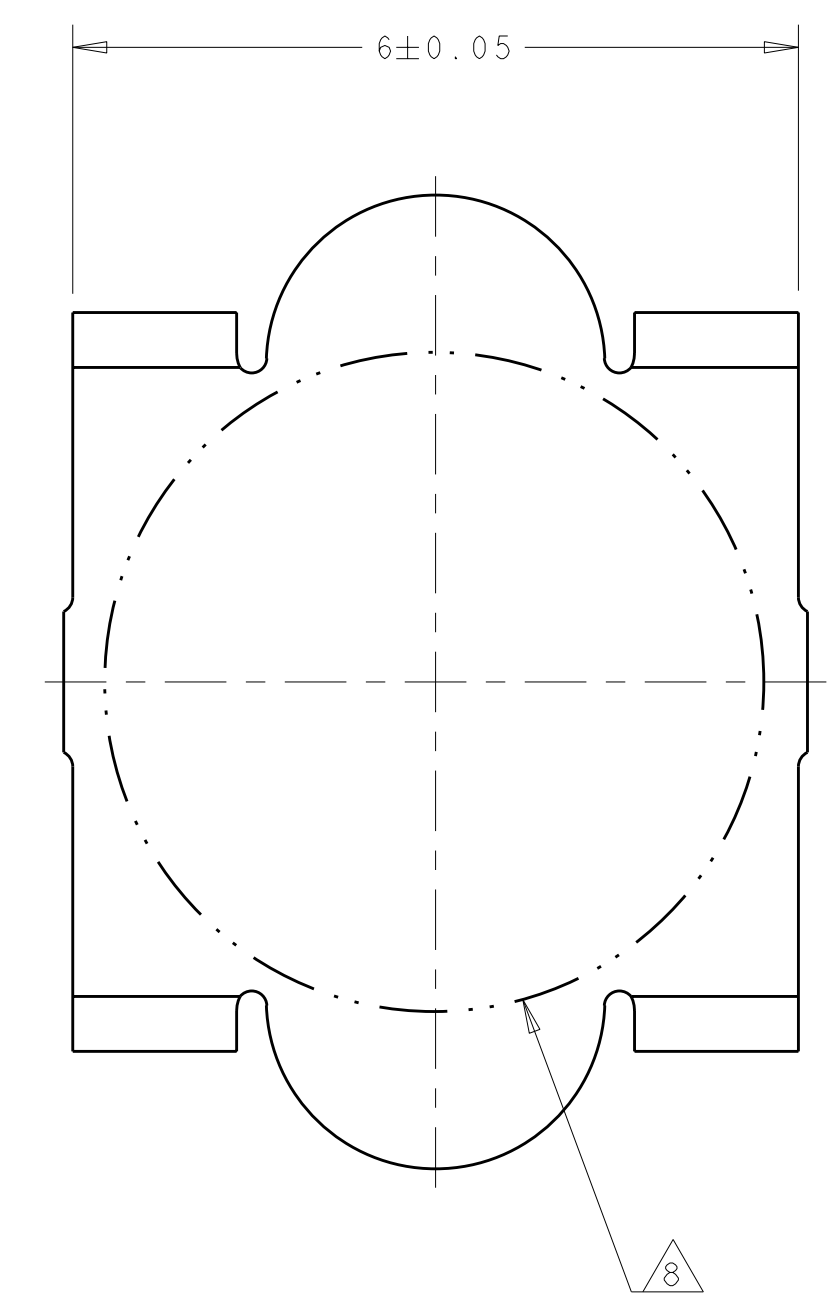
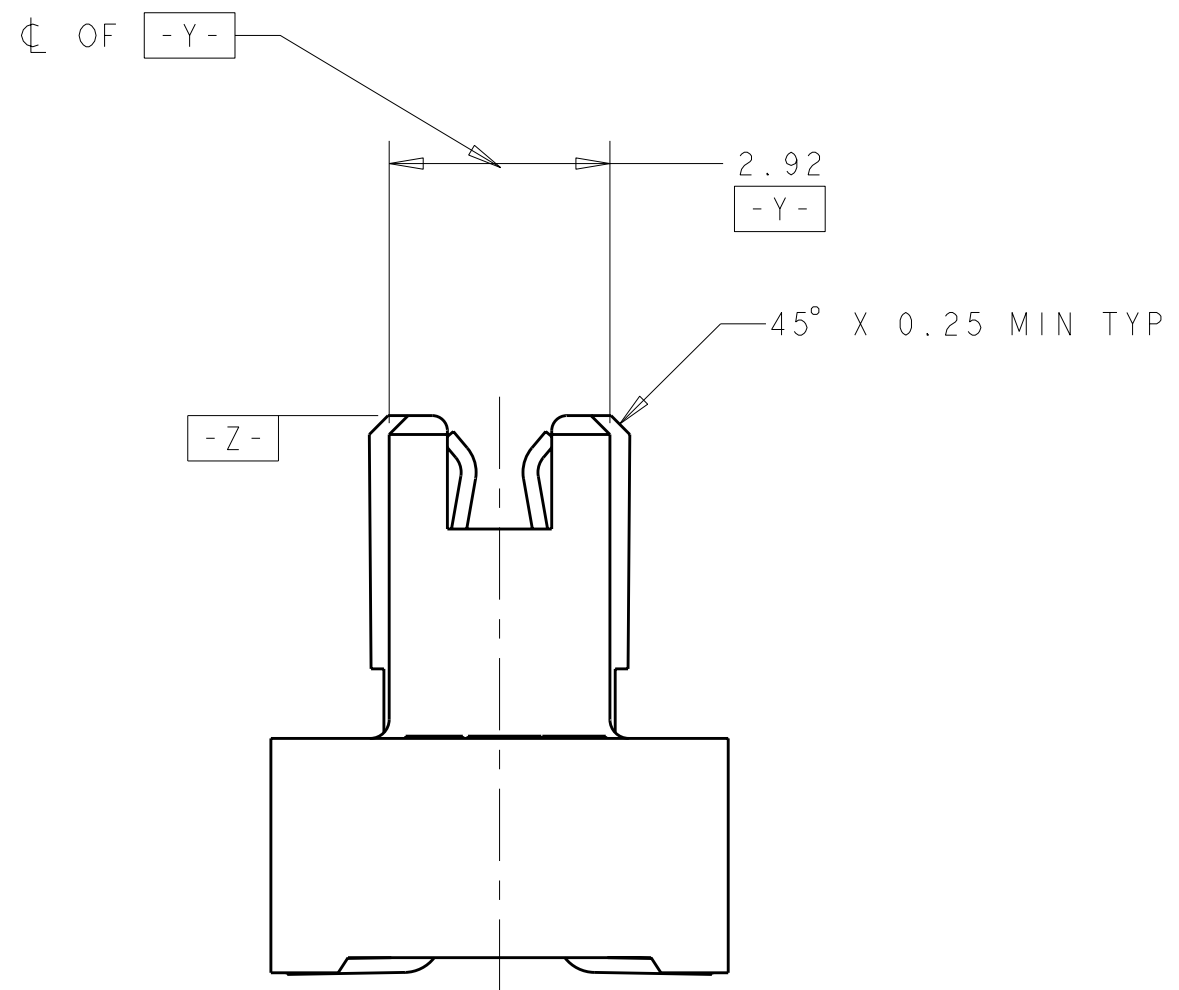
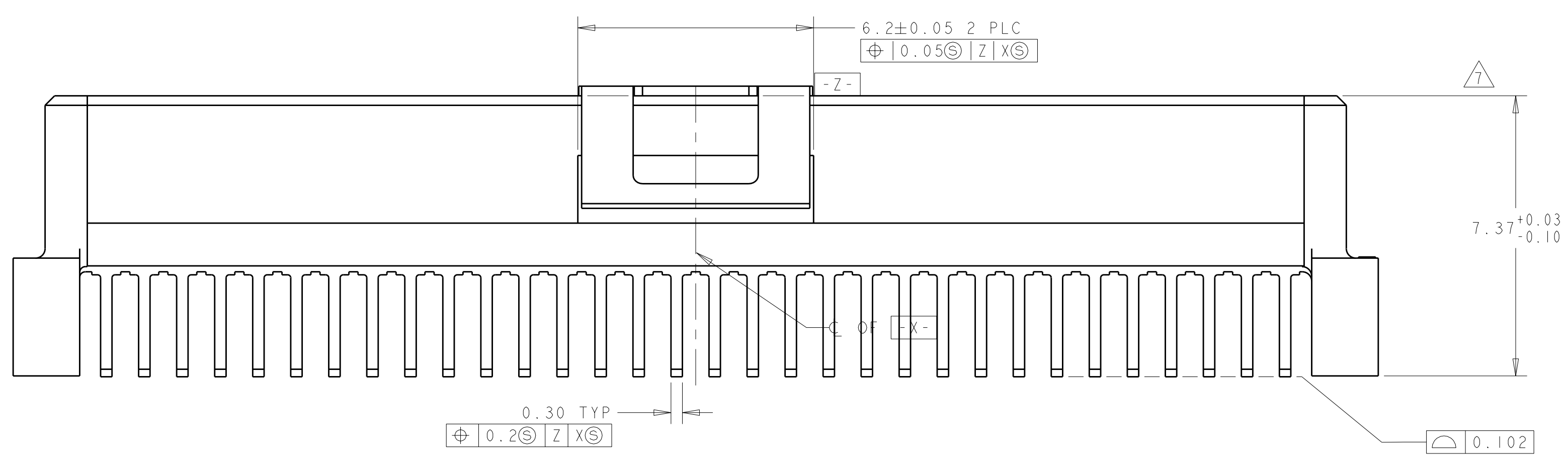


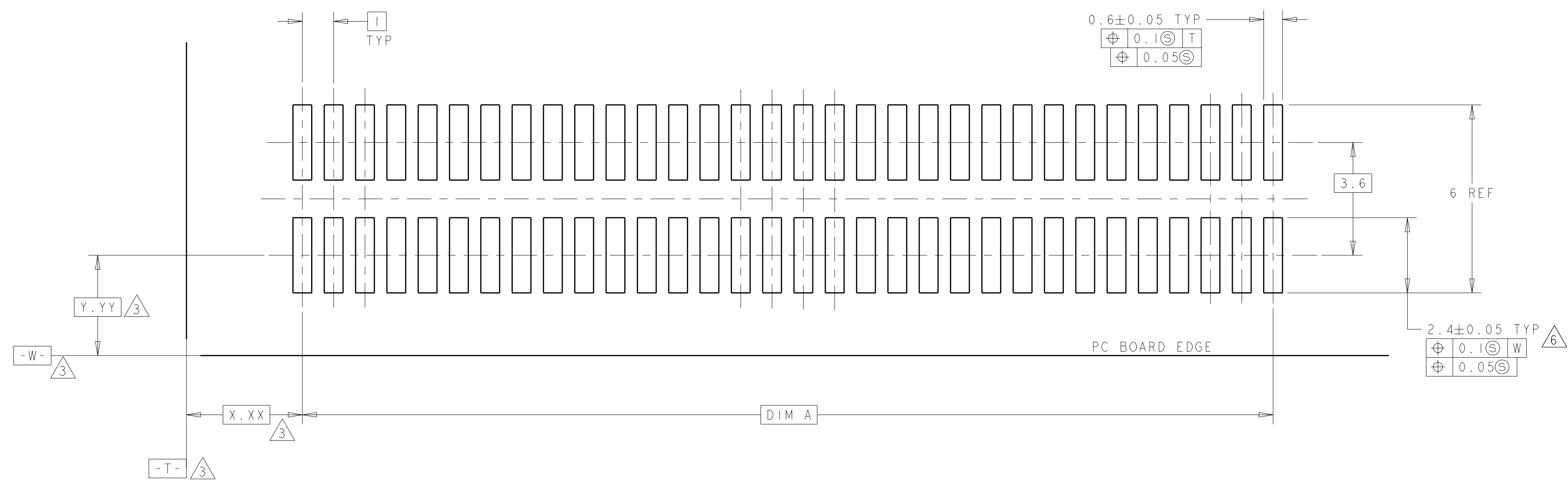
LOC	DIST	REV	DATE	BY	CHK	APP'D
AD	00	0	30SEP2004	BC	RW	
		A	10JUL2006	DH	DB	



- △ HOUSING MATERIAL: HIGH TEMPERATURE THERMOPLASTIC, COLOR: BLACK
CONTACT MATERIAL: PHOSPHOR BRONZE
- △ CONTACT FINISH: NICKEL UNDERPLATE ALL OVER, MATING SURFACES PLATED TO MEET PLI PERFORMANCE REQUIREMENTS OF INDUSTRY SPECIFICATION EIA-700AAAB, SOLDER TAILS PLATED TIN.
- △ DATUM LOCATIONS AND BASIC DIMENSIONS TO BE ESTABLISHED BY THE CUSTOMER. CONSULT AMP ENGINEERING WHEN PLACING MULTIPLE CONNECTORS ON A PC BOARD.
- 4. PACKAGED IN TAPE ON REEL PER EIA-481.
- 5. VACUUM COVER DESIGNED FOR 4mm DIA. NOZZLE. COVER TO BE REMOVED AFTER SOLDERING. VACUUM COVER OMITTED FROM SOME VIEWS FOR DIMENSIONAL CLARITY.
- △ SHORTER SOLDER LANDS MAY BE USED PER EIA 700AAAB, HOWEVER 2.4 LENGTH ASSURES OPTIMUM SOLDER FILLET REGARDLESS OF MANUFACTURER OF CONNECTOR.
- △ REFERRED TO AS DIM H = 7.30 ± 0.1 IN EIA 700AAAB SPECIFICATION.
- △ 5.5 MIN DIA TARGET AREA FOR VACUUM PICK-UP.
- △ CONTACT FINISH: 0.00381 MINIMUM MATTE TIN PER ASTM B 545 ON SOLDER AREA, 0.00127 MINIMUM GOLD PER ASTM B 488 ON MATING AREA, BOTH OVER 0.00127 MINIMUM NICKEL PER SAE-AMS-QQ-N-290 ON ENTIRE CONTACT.



VACUUM COVER



FINISH	DIM C	DIM B	DIM A	MATING CONNECTOR	STACK HGTS	POS	PART NO
△ 9	45.9	44.22	41	5120534-2	12	84	1-5120529-2
△ 9	45.9	44.22	41	5120533-2	11	84	1-5120529-2
△ 9	35.9	34.22	31	5120534-1	12	64	1-5120529-1
△ 9	35.9	34.22	31	5120533-1	11	64	1-5120529-1
△ 2	45.9	44.22	41	5120534-2	12	84	5120529-2
△ 2	45.9	44.22	41	5120533-2	11	84	5120529-2
△ 2	35.9	34.22	31	5120534-1	12	64	5120529-1
△ 2	35.9	34.22	31	5120533-1	11	64	5120529-1

DIMENSIONS: mm TOLERANCES UNLESS OTHERWISE SPECIFIED: 9 PLC ± 5 PLC ±0.03 4 PLC ±0.003 ANGLES ±0°-1'		DWN B. CARBO 30SEP04 CHK R. WERTZ 30SEP04 APP'D R. WERTZ 30SEP04		tyco Electronics Tyco Electronics Harrisburg, PA 17105-3608	
MATERIAL: SEE TABLE		PRODUCT SPEC: 502-1079 APPLICATION SPEC: 114-25045		NAME: RECEPTACLE ASSEMBLY, W/ COVER, 1.0mm FH(IEEE1386) CONNECTOR	
WEIGHT: -		CUSTOMER DRAWING		SIZE: 114-25045 CAGE CODE: 00779 DRAWING NO: 5120529	
SCALE: 10:1		SHEET: 1 OF 1		REV: A	

RECOMMENDED PC BOARD LAYOUT