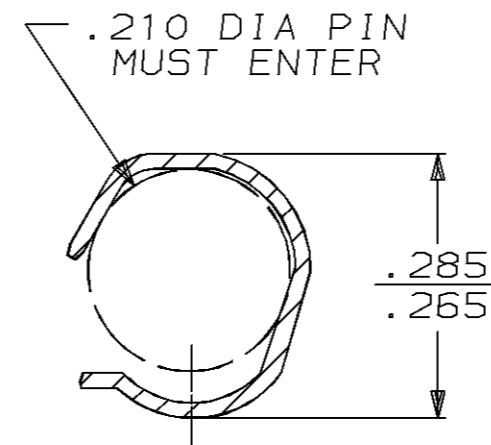
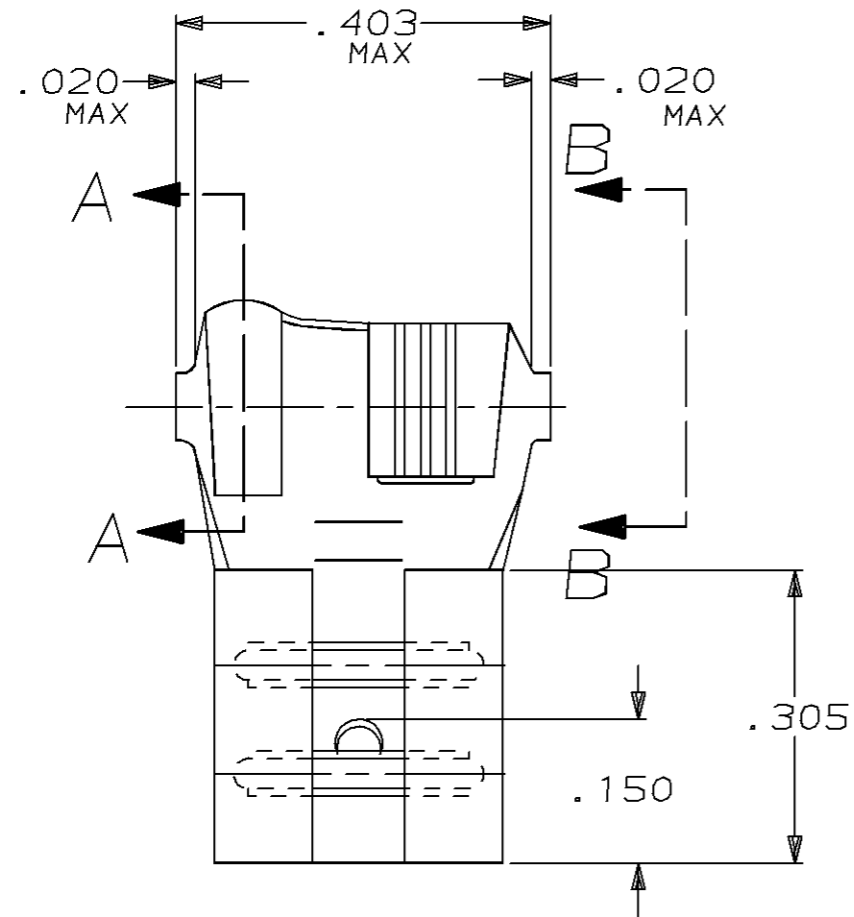
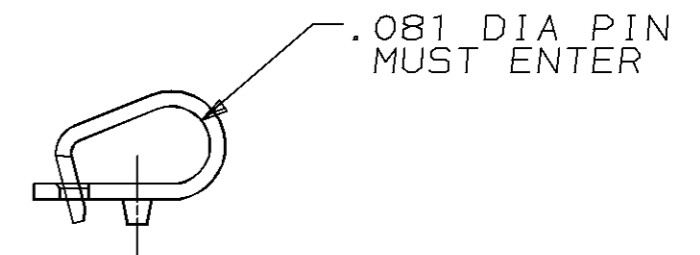


THIS DRAWING IS UNPUBLISHED. RELEASED FOR PUBLICATION, 19  
 © COPYRIGHT 19 BY AMP INCORPORATED, HARRISBURG, PA. ALL INTERNATIONAL RIGHTS RESERVED. AMP PRODUCTS MAY BE COVERED BY U.S. AND FOREIGN PATENTS AND/OR PATENTS PENDING.

| LOC | DIST | P | F | ZONE | LTR | DESCRIPTION                   | DATE    | APPROVED |
|-----|------|---|---|------|-----|-------------------------------|---------|----------|
| AF  | 50   |   |   |      | A   | ADDED NOTES 3 & 4 PER 0551-94 | 11/2/94 | JR/PD    |



SECTION A-A



VIEW B-B

- 1 WIRE AND INSULATION BARRELS TO BE PREFORMED AS SHOWN IN CUT OFF OPERATION.
- 2 SUPPLIED IN LOOSE PIECE.
- 3 FOREIGN PRODUCTION ONLY.
- 4 MAKE FROM P/N 41800

|  |  |                                |  |   |  |                  |  |
|--|--|--------------------------------|--|---|--|------------------|--|
| 2.79-5.33 [.110-.210]  |  | 0.8-3.0mm <sup>2</sup> [18-12] |  | 0.81 [.032]                                       |  | 42015            |  |
| INSULATION RANGE   |  | WIRE SIZE                      |  | ±0.025 [±.001] TAB THK                            |  | PART NO          |  |
| UNLESS OTHERWISE SPECIFIED DIMENSIONS ARE IN MM TOLERANCES ON:<br>2 PL DEC ± -<br>3 PL DEC ± 0.38 [.015]<br>ANGLES ± - |  | DR 11/16/93<br>JR RUTH         |  | AMP INCORPORATED<br>Harrisburg, Pa. 17105         |  |                  |  |
|  |  | CHK 11/16/93<br>MS FEHER       |  |   |  |                  |  |
| MATERIAL<br>T3 PHOS BRZ  |  | APPD 11/16/93<br>P DESANTIS    |  | NAME<br>RECEPTACLE, FASTON,™<br>FLAG, .250 SERIES |  |                  |  |
|  |  | APPD 11/16/93<br>R REINER      |  | SIZE<br><b>B</b>                                  |  | FSCM NO<br>00779 |  |
| FINISH<br>TIN  |  | PRODUCT SPEC<br>-              |  | SCALE<br>NTS                                      |  | SHEET<br>1 OF 1  |  |
|  |  | APPLICATION SPEC<br>-          |  | WEIGHT<br>-                                       |  |                  |  |