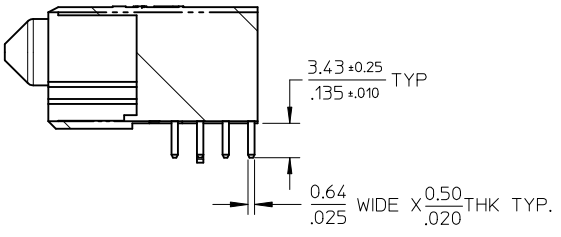


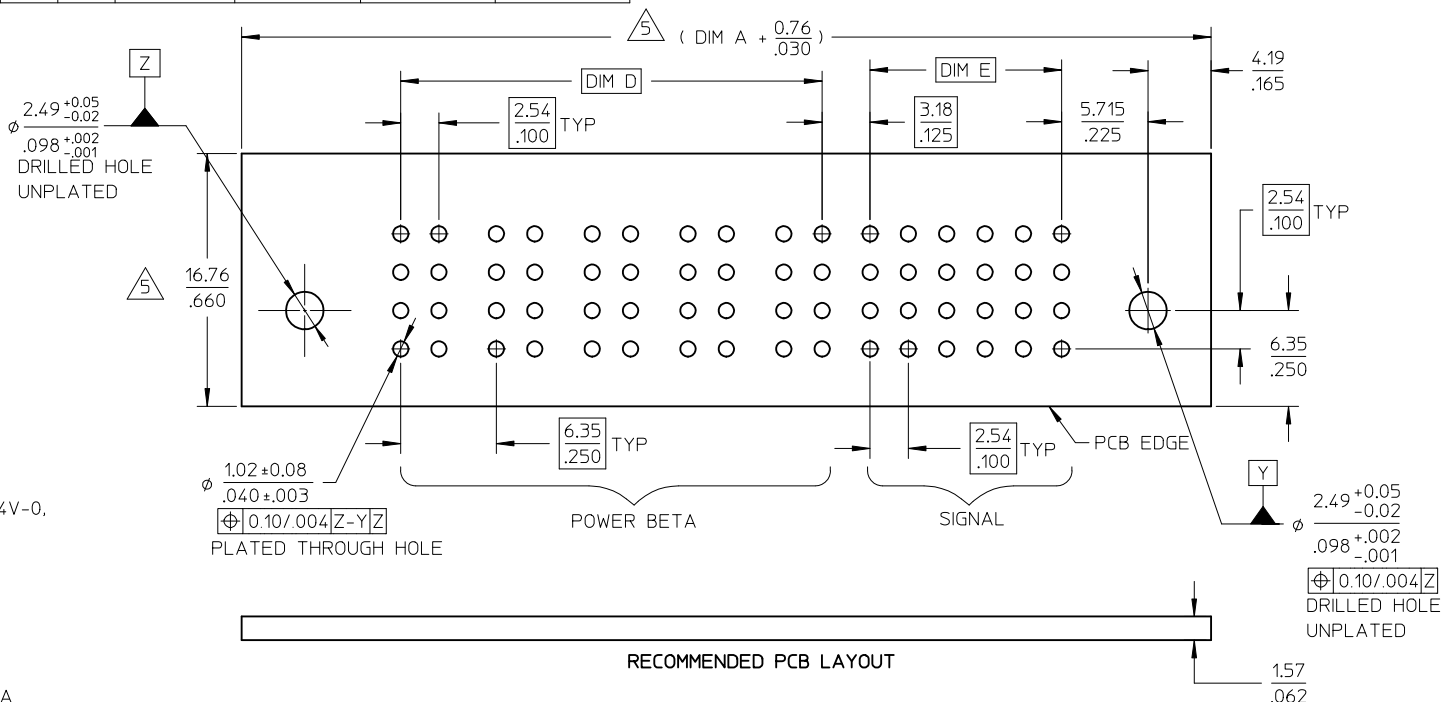
SECTION Y-Y



SECTION Z-Z

ADD P/N: 87668-2008 EC NO: S2012-0166 DRWN:SKANG 2011/08/29 CHKD:ATSEE 2012/12/19 APPR:MLONG 2011/12/22	QUALITY SYMBOLS ▽=0 ▽=0	GENERAL TOLERANCES (UNLESS SPECIFIED)		DIMENSION STYLE	SCALE	DESIGN UNITS	THIRD ANGLE PROJECTION		
			mm	INCH	MM/IN	NTS	METRIC		
		4 PLACES	± ---	± ---	DRAWN BY	DATE	TITLE		
		3 PLACES	± ---	± .010	KMGOH	2003/06/18	POWER CONNECTOR RECEPT. S-P(B) CONFIGURATION R/A, BOARDLOCK		
2 PLACES	± 0.25	± ---	CHECKED BY	DATE	MOLEX INCORPORATED				
1 PLACE	± ---	± ---	PTL IM	2003/06/20	MATERIAL NO. SKTOH 2003/06/20				
ANGULAR ± 3 °		DRAFT WHERE APPLICABLE MUST REMAIN WITHIN DIMENSIONS		APPROVED BY	DATE	DOCUMENT NO.	SHEET NO.		
				SKTOH	2003/06/20	SD-87668-014	1 OF 2		
				SIZE	THIS DRAWING CONTAINS INFORMATION THAT IS PROPRIETARY TO MOLEX INCORPORATED AND SHOULD NOT BE USED WITHOUT WRITTEN PERMISSION				
				A3					

PART NUMBER	S-P CONFIGURATION		DIM A	DIM B	DIM C	DIM D	DIM E	VOID PIN LOCATION	VOID POWER LOCATION	PACKAGING	STATUS
	SIGNAL	POWER BETA									
87668-2002	24	10	95.25 3.750	87.63 3.450	86.36 3.400	59.69 2.350	12.70 .500	NIL	NIL	TRAY	TOOLED
87668-2003	20	4	54.61 2.150	46.99 1.850	45.72 1.800	21.59 .850	10.16 .400	NIL	NIL	TRAY	TOOLED
87668-2004	24	6	69.85 2.750	62.24 2.450	60.96 2.400	34.29 1.350	12.70 .500	NIL	NIL	TRAY	TOOLED
87668-2006	24	12	107.95 4.250	100.33 3.950	99.06 3.900	72.39 2.850	12.70 .500	NIL	NIL	TRAY	TOOLED
87668-2007	20	4	54.61 2.150	46.99 1.850	45.72 1.800	21.59 0.850	10.16 0.400	A4,B4,C4,D4	NIL	TRAY	TOOLED
87668-2008	24	10	95.25 3.750	87.63 3.450	86.36 3.400	59.69 2.350	12.70 .500	NIL	B#1	TRAY	TOOLED



NOTES:

- MATERIALS : HOUSING - LCP GLASS FILLED, UL94V-0, COLOR: BLACK
POWER PINS - COPPER ALLOY
SIGNAL PINS - COPPER ALLOY
BOARD LOCK - COPPER ALLOY
 - FINISHES: POWER AD SIGNAL PINS
SELECTIVE GOLD IN THE CONTACT AREA
THICKNESS = 0.76 MICROMETER / 30 MICROINCH MINIMUM
SELECTIVE TIN IN THE PC TAIL AREA
THICKNESS = 2.54 MICROMETER / 100 MICROINCH MINIMUM
NICKEL OVERALL
 - PRODUCT SPECIFICATIONS : PS-87631-006
 - SEE SHEET 2 FOR RECOMMENDED PCB LAYOUT AND THICKNESS
- COMPONENT STAY AWAY ZONE FROM CONNECTOR
 REFER TO THE TABLE IN PAGE 3 FOR RECESSED PINS LOCATION
 24 SIGNAL - 5 POWER CONNECTOR IS SHOWN FOR ILLUSTRATION

ADD P/N: 87668-2008 EC NO: S2012-0166 DRWN:SKANG 2011/08/29 CHKD:ATSEE 2012/12/19 APPR:MLONG 2011/12/22 REV D2	QUALITY SYMBOLS = 0 = 0.10	GENERAL TOLERANCES (UNLESS SPECIFIED) <table border="1"> <thead> <tr> <th></th> <th>mm</th> <th>INCH</th> </tr> </thead> <tbody> <tr> <td>4 PLACES</td> <td>± ---</td> <td>± ---</td> </tr> <tr> <td>3 PLACES</td> <td>± ---</td> <td>± 0.10</td> </tr> <tr> <td>2 PLACES</td> <td>± 0.25</td> <td>± ---</td> </tr> <tr> <td>1 PLACE</td> <td>± ---</td> <td>± ---</td> </tr> </tbody> </table>		mm	INCH	4 PLACES	± ---	± ---	3 PLACES	± ---	± 0.10	2 PLACES	± 0.25	± ---	1 PLACE	± ---	± ---	DIMENSION STYLE MM/IN DRAWN BY: KMG0H DATE: 2003/06/18 CHECKED BY: PTLIM DATE: 2003/06/20 APPROVED BY: SKTOH DATE: 2003/06/20	SCALE: NTS DESIGN UNITS: METRIC THIRD ANGLE PROJECTION	TITLE: POWER CONNECTOR RECEPT. S-P(B) CONFIGURATION R/A, BOARDLOCK MOLEX INCORPORATED DOCUMENT NO. SD-87668-014 SHEET NO. 2 OF 2
		mm	INCH																	
	4 PLACES	± ---	± ---																	
	3 PLACES	± ---	± 0.10																	
2 PLACES	± 0.25	± ---																		
1 PLACE	± ---	± ---																		
DRAFT WHERE APPLICABLE MUST REMAIN WITHIN DIMENSIONS		MATERIAL NO. SEE TABLE SIZE: A3	THIS DRAWING CONTAINS INFORMATION THAT IS PROPRIETARY TO MOLEX INCORPORATED AND SHOULD NOT BE USED WITHOUT WRITTEN PERMISSION																	