

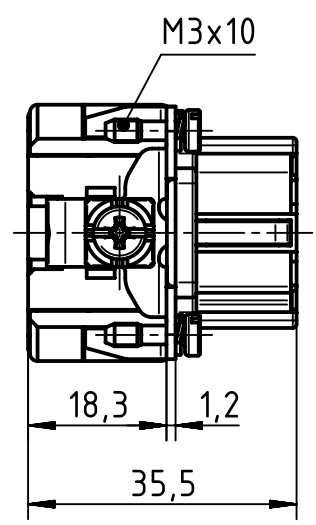
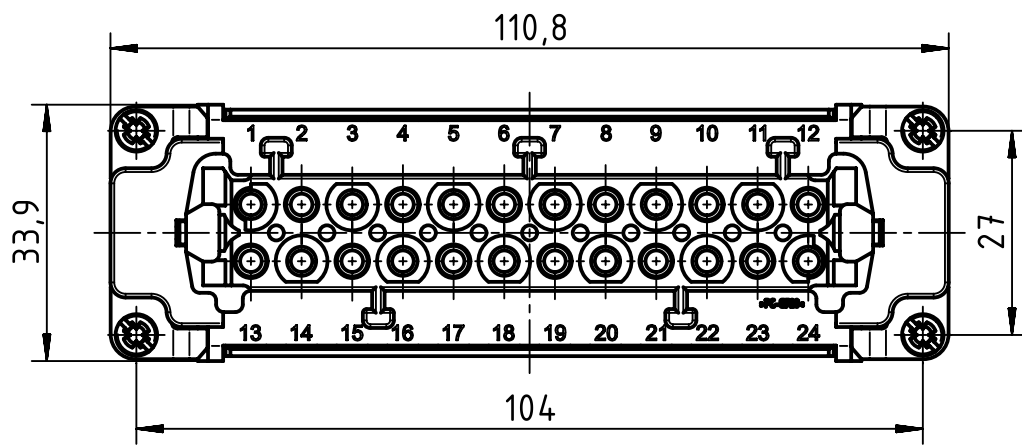
1 2 3 4 5 6

A

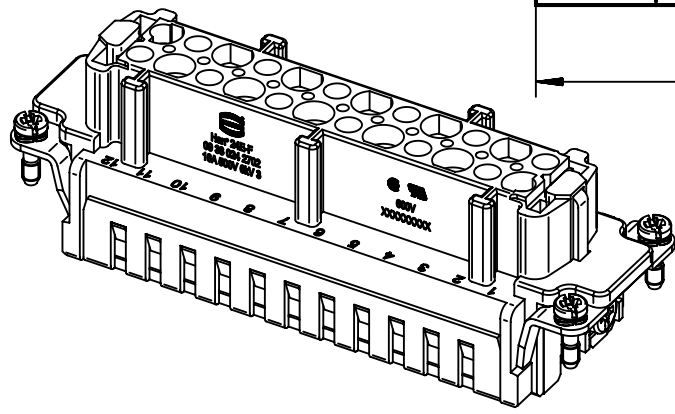
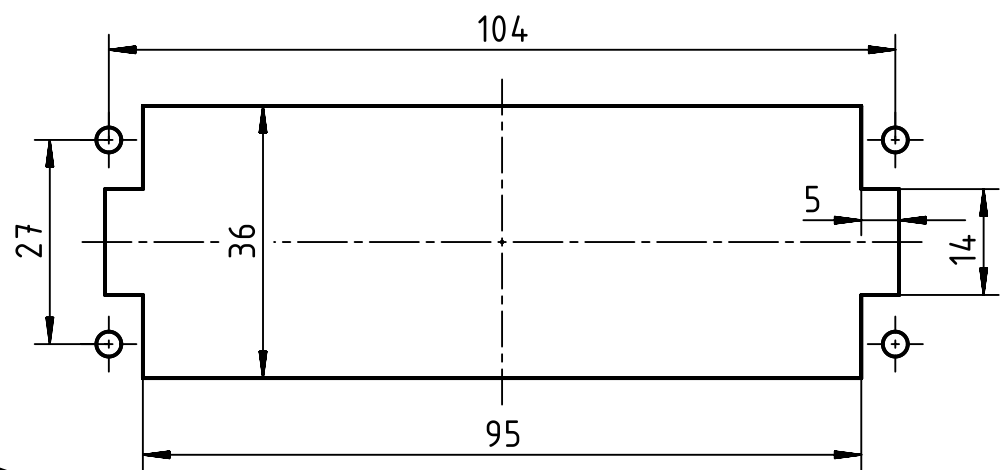
B


C

D



panel cut out



	All Dimensions in mm Original Size DIN A4		Scale 1:1	Free size tol.		Ref.
	All rights reserved Department EL PD - DE		Created by KLASSEN P	Inspected by BERGHORN	Standardisation RUETERA	Date 2017-04-13
HARTING Electric GmbH & Co. KG D-32339 Espelkamp		Title Han E 24 Pos. F Insert Crimp			Doc-Key / ECM-Nr. 100117984/UGD/008/D 500000117434	
		Type TB	Number 09 33 024 2702		Rev. D	Page 1/1