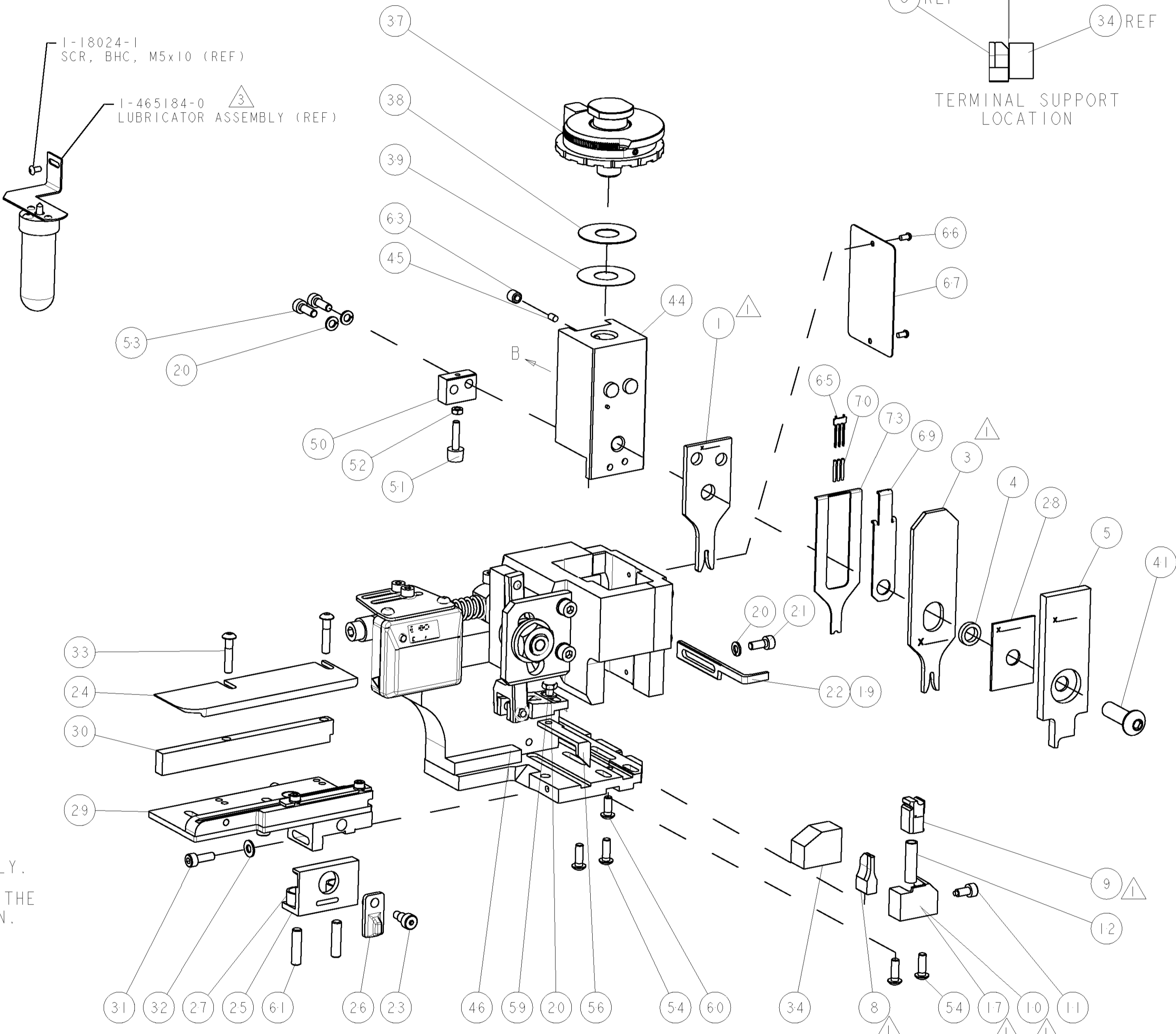
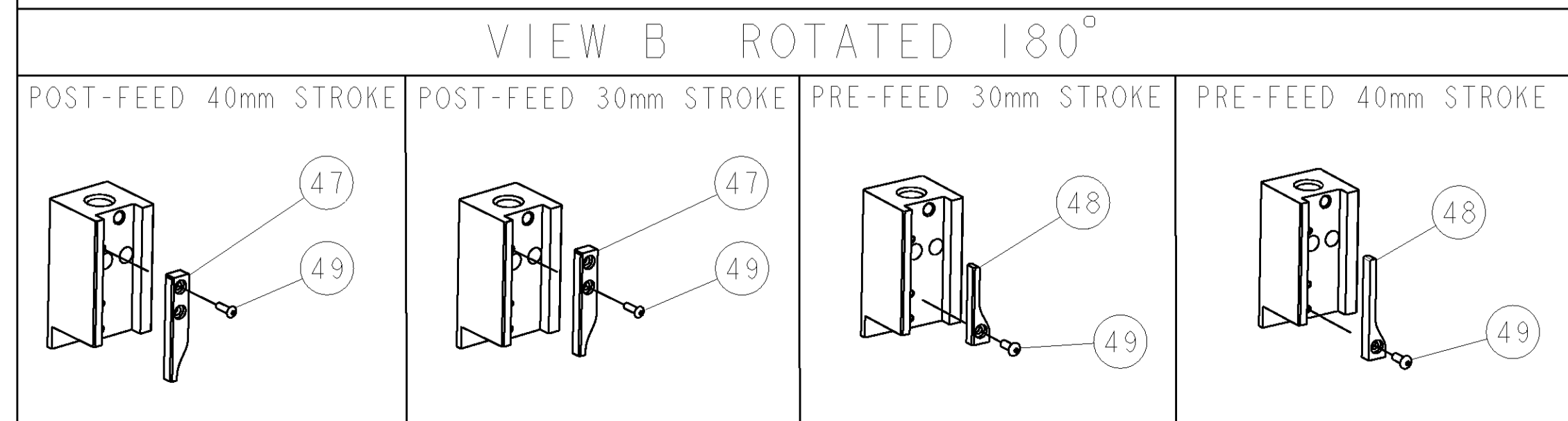


PART NUMBER	REV	TERMINATOR	FEED TYPE	DESCRIPTION
1528722-1	A	LEADMAKER	MECH POST FEED	CUTS CARRIER
1528722-2	A	BENCH	MECH PRE FEED	CUTS CARRIER
1528722-6	A	LEADMAKER	MECH POST FEED	CONTINUOUS CARRIER
7-1528722-1	A	LEADMAKER	MECH POST FEED	-1 AND SPARE PARTS
7-1528722-2	A	BENCH	MECH PRE FEED	-2 AND SPARE PARTS
7-1528722-6	A	LEADMAKER	MECH POST FEED	-6 AND SPARE PARTS
7-1528722-7	A	-	-	SPARE PARTS KIT

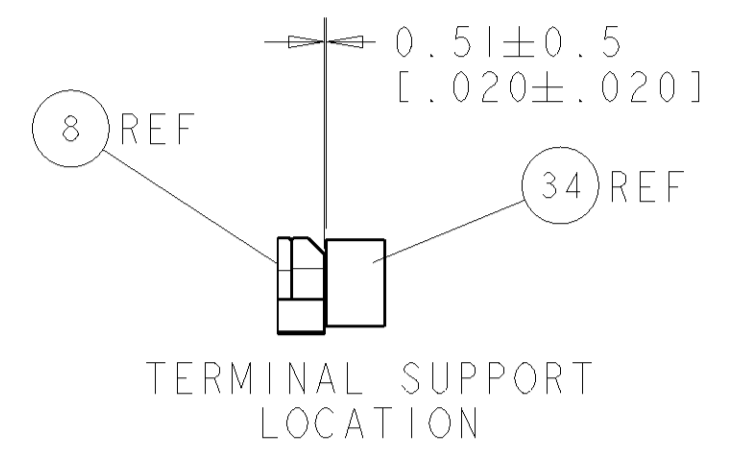
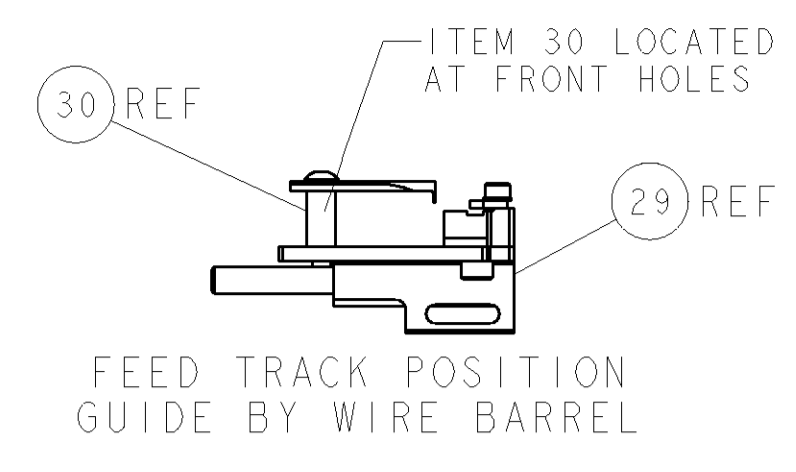
CRIMP DATA		GHW/LEAR TERMINAL		LEAR CRIMP SPECS	
TERMINAL NAME: MFS 1.5 X 0.6 M.ZUS-F					
CRIMP	SIZE	TYPE	RANGE		
WIRE	1.91 [0.075 IN]	F	0.50mm <sup>2</sup> -1.00mm <sup>2</sup>		
INSUL	2.29 [0.090 IN]	O	1.40-2.10 [0.055-0.083 IN]		
WIRE STRIP LENGTH 4.00-4.50 [1.57-1.77 IN]		APPL INSTRUCTIONS 408-8322 & 408-8490			
TERMINAL LEAR SHEET APPL SPEC 26127		FEED 11.05 [0.435 IN]			
TERMINALS APPLIED					
TYCO PN	MANUF'S PN				
1949161-1	26127.201.179				
1949161-2	26127.201.702				
1949161-3	26127.331.178				
WIRE SIZE	CRIMP HEIGHT	REF SETTING			
1.00mm <sup>2</sup>	1.30 ± 0.05 [0.051 ± 0.002 IN]	B 6			
0.75mm <sup>2</sup>	1.25 ± 0.05 [0.049 ± 0.002 IN]	C 1			
0.50mm <sup>2</sup>	1.20 ± 0.05 [0.047 ± 0.002 IN]	C 3			

- △ RECOMMENDED SPARE PARTS.
- 2. GREASE RAM, CAM, CAM FOLLOWER AND FEED ROD LIGHTLY.
- △ 3. CERTAIN TERMINALS REQUIRE LUBRICATION. REFER TO THE APPLICATOR INSTRUCTION SHEET FOR MORE INFORMATION.
- 4. LUBRICATE DAILY PER THE APPLICATOR INSTRUCTION SHEET SUPPLIED WITH THE APPLICATOR.
- △ 5. TERMINAL APPLIES TYPE FLY INSULATION.
- △ 6. CRIMP DATA SUPPLIED BY TERMINAL MANUFACTURER.



\* WARNING  
ON INSTALLATION, SET WIRE DISC TO LARGEST WIRE SIZE SETTING. USE OF SETTINGS BELOW MIN. REQUIRED CRIMP HEIGHT SETTING WILL CAUSE DAMAGE TO CRIMP TOOLING.

ITEM NO	PART NO	DESCRIPTION
84		
83		
82		
81		
80		
79		
78		
77		
76		
75		
74		
ITEM NO	PART NO	DESCRIPTION
-77	-76	-72
-71	-6	-2
-1		



REV	DATE	BY	CHKD	APPD
A	190CT2006	LJL	MC	

REV	DATE	BY	CHKD	APPD	DESCRIPTION	ITEM NO	
-	-	-	-	-	1490525-1	DEPRESSOR, WIRE	73
-	-	-	-	-	-	-	72
-	-	-	-	-	1338705-3	DOCUMENTATION PACKAGE	71
-	3	3	3	3	2-23147-2	SPRING, COMPRESSION	70
-	-	-	-	-	1490524-2	DEPRESSOR, SPACER	69
-	-	-	-	-	-	-	68
-	-	-	-	-	461264-5	PLATE, IDENTIFICATION	67
-	2	2	2	2	21017-2	SCREW, DRIVE	66
-	-	-	-	-	1424350-1	HOLDER, PIN, WIRED	65
-	-	-	-	-	-	-	64
-	-	-	-	-	3-18031-0	SCR, SET, CUP POINT M6 X 6.0	63
-	-	-	-	-	-	-	62
-	2	2	2	2	2-18032-5	SCR, SET, FLT POINT M5 X 20.0	61
-	-	-	-	-	18024-7	SCR, BTN SKT HD CAP (M4 X 10.0)	60
-	-	-	-	-	5-18022-2	SCR, HEX HD CAP M4 X 8.0	59
-	-	-	-	-	-	-	58
-	-	-	-	-	-	-	57
-	-	-	-	-	1338685-1	PAWL, FEED	56
-	-	-	-	-	-	-	55
-	4	4	4	4	18024-8	SCR, BTN SKT HD CAP (M4 X 12.0)	54
-	2	2	2	2	1-18023-2	SCR, SKT HD CAP M4 X 12.0	53
-	-	-	-	-	18030-1	NUT, HEX, REG M3	52
-	-	-	-	-	811242-5	BUMPER, HOLD DOWN	51
-	-	-	-	-	690753-2	SPACER, TONKER	50
-	-	-	-	-	18024-3	SCR, BTN SKT HD CAP (M3 X 10.0)	49
-	-	-	-	-	1338675-1	CAM, UNIVERSAL PRE FEED	48
-	-	-	-	-	1338676-1	CAM, UNIVERSAL POST-FEED	47
-	-	-	-	-	1320999-3	APPLICATOR SUBASSEMBLY, HDI	46
-	-	-	-	-	690191-1	PLUG, NYLON	45
-	-	-	-	-	1338660-1	RAM	44
-	-	-	-	-	-	-	43
-	-	-	-	-	-	-	42
-	-	-	-	-	2-18024-6	SCR, BTN SKT HD CAP (M8 X 25.0)	41
-	-	-	-	-	-	-	40
-	-	-	-	-	690125-1	SHIM SUB-ASSY	39
-	-	-	-	-	469367-9	SHIM	38
-	-	-	-	-	879103-3	FINE ADJUST HEAD ASSEMBLY	37
-	-	-	-	-	-	-	36
-	-	-	-	-	-	-	35
-	-	-	-	-	1320934-6	SUPPORT, TERMINAL	34
-	2	2	2	2	1-18024-0	SCR, BTN SKT HD CAP (M4 X 20.0)	33
-	-	-	-	-	18027-2	WASHER, FLAT, REG M4	32
-	-	-	-	-	1-18023-2	SCR, SKT HD CAP M4 X 12.0	31
-	-	-	-	-	1-1320908-5	SPACER, STRIP GUIDE	30
-	-	-	-	-	1633073-2	STRIP GUIDE ASSEMBLY	29
-	-	-	-	-	1-455888-0	SPACER, CRIMPER	28
-	2	2	2	2	1-22284-0	SPRING, COMPRESSION	27
-	-	-	-	-	356835-1	LEVER, DRAG RELEASE	26
-	-	-	-	-	240792-1	DRAG, TERMINAL	25
-	-	-	-	-	1320928-1	PLATE, STRIP GUIDE	24
-	-	-	-	-	980371-4	SCR, SKT HD SHLDR 5.0 DIA X 6.0	23
-	-	-	-	-	690472-2	STRIPPER	22
-	-	-	-	-	1-18023-1	SCR, SKT HD CAP M4 X 10.0	21
-	4	4	4	4	18025-2	WASHER, SPRG LOCK, REG M4	20
-	-	-	-	-	690472-1	STRIPPER	19
-	-	-	-	-	-	-	18
-	-	-	-	-	1338684-1	SHEAR HOLDER, FRONT	17
-	-	-	-	-	-	-	16
-	-	-	-	-	-	-	15
-	-	-	-	-	-	-	14
-	-	-	-	-	-	-	13
-	-	-	-	-	3-22280-3	SPRING, COMPRESSION	12
-	-	-	-	-	356885-4	STOP, SHEAR	11
-	-	-	-	-	1320921-1	SHEAR HOLDER, FRONT, CUT	10
-	-	-	-	-	462006-1	FLOATING SHEAR, FRONT	9
-	1	2	2	2	2-1633138-3	ANVIL, COMBINATION	8
-	-	-	-	-	-	-	7
-	-	-	-	-	-	-	6
-	-	-	-	-	2-455889-0	DEPRESSOR, SHEAR	5
-	-	-	-	-	238011-9	BLOCK, CRIMPER SPACER	4
-	1	2	2	2	8-456135-0	CRIMPER, INSULATION O PREMIUM	3
-	-	-	-	-	-	-	2
-	1	2	2	2	1673600-6	CRIMPER, WIRE	1

REV	DATE	BY	CHKD	APPD	DESCRIPTION	ITEM NO
A	22SEP2006	M. CLIFFORD			FINE ADJUST SIDE FEED HDI APPLICATOR	