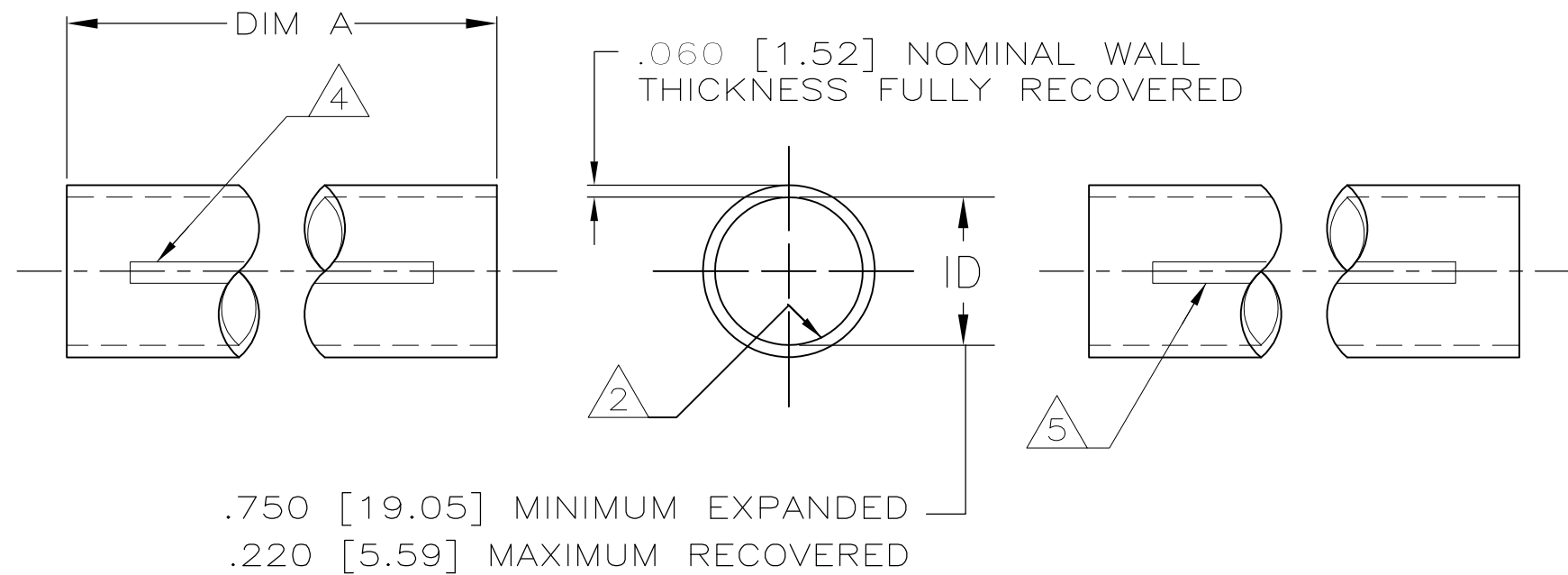


REVISIONS			
LTR	DESCRIPTION	DATE	APPROVED
F	REVISED PER OG1Z-0020-99	31-AUG-00	
G	REVISED PER DCR R030110 - COLOR STRIPE CHANGE	30-APR-03	JKUSTER
G1	REVISED PER ECO-09-021510	12SEP09	AEG



NOTES:

- MATERIAL: BLACK POLYOLEFIN, COMPLIES WITH MIL-23053/15-101-0.
- SEALANT THROUGHOUT TOTAL LENGTH OF INSIDE DIAMETER.
- DIMENSIONS APPLY WITHOUT SEALANT.
- PRODUCT IS MARKED "AMP MIL-23053/15-101-0 90°C 600V MAXIMUM" IN WHITE CHARACTERS ON SURFACE INDICATED.
- PRODUCT IS MARKED "AMP 608505 .75-.22"/19.1-5.6mm 4-1 AWG", WITH DATE CODE, IN WHITE CHARACTERS ON SURFACE INDICATED.
- WEIGHT PER LINEAR FOOT/304.8mm: 13.6 GRAMS/.03 POUNDS
- OBSOLETE PARTS: OBSOLETE CIS STREAMLINING PER D.RENAUD/D.SINISI

7	OBSOLETE	6.00±.19 [147.6-157.2]	608505-7
		48.00-49.00 [1219.2-1244.6]	608505-6
		11.81-12.19 [300-309.6]	608505-1
		DIMENSION A (LENGTH)	PART NO

SPECIFICATION CONTROL DRAWING

UNLESS OTHERWISE SPECIFIED DIMENSIONS ARE IN INCHES. METRIC DIMENSIONS ARE IN BRACKETS. DECIMALS .XXX ± [mm] .XX ± [mm] ANGLES .X ± WEIGHT lbs [g]	DRAWN	MFORONDA	03/04/03	 RAYCHEM PRODUCTS 305 CONSTITUTION DRIVE MENLO PARK, CALIFORNIA 94025
	CHECKED			
	APPROVED	JKUSTER	03/04/03	
	APPROVED			
	CAD NAME	R0300110		TITLE
	THIRD ANGLE PROJECTION			TUBING, HEAT SHRINK AMPSULATION, MHWP31, .75 DIA.
	SIZE	CODE IDENT. NO.	DWG. NO.	REV
	B	06090	C-608505	G1
DO NOT SCALE THIS DRAWING				SHEET 1 OF 1