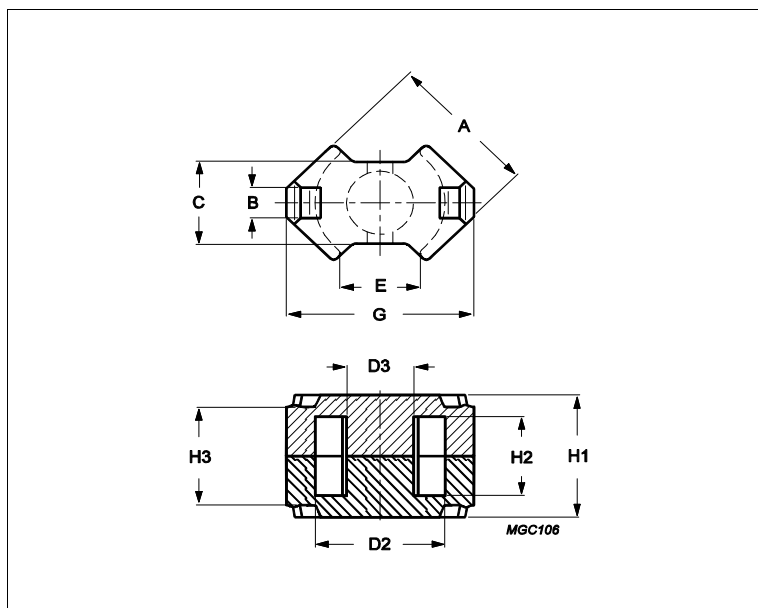


## Core **RM8/I**



Effective parameters			
	Parameter	Value	Unit
$\Sigma(I/A)$	core factor (C1)	0.604	mm <sup>-1</sup>
<b>Ve</b>	effective volume	2440	mm <sup>3</sup>
<b>Le</b>	effective length	38.4	mm
<b>Ae</b>	effective area	63	mm <sup>2</sup>
<b>Amin</b>	minimum area	55.4	mm <sup>2</sup>
<b>m</b>	RM8/I	≈ 13	g/set

Dimensions for product: RM8/I

	Nom	Tol +	Tol -	Max	Min	Unit
<b>A</b>	19.70	0.00	0.80	19.70	18.90	mm
<b>B</b>	5.10	0.10	0.10	5.20	5.00	mm
<b>C</b>	11.00	0.00	0.50	11.00	10.50	mm
<b>D2</b>	17.00	0.60	0.00	17.60	17.00	mm
<b>D3</b>	8.55	0.00	0.30	8.55	8.25	mm
<b>E</b>					9.50	mm
<b>G</b>	23.20	0.00	0.90	23.20	22.30	mm
<b>H1</b>	16.40	0.10	0.10	16.50	16.30	mm
<b>H2</b>	10.80	0.40	0.00	11.20	10.80	mm
<b>H3</b>	14.30	0.25	0.25	14.55	14.05	mm

Inductance factor

Material	Value	Tol +	Tol -	Unit
3C91	4100	25%	25%	nH/turns <sup>2</sup>
3C94	3300	25%	25%	nH/turns <sup>2</sup>
3C95	4100	25%	25%	nH/turns <sup>2</sup>
3C96	3000	25%	25%	nH/turns <sup>2</sup>
3C97	4100	25%	25%	nH/turns <sup>2</sup>
3D3	1400	25%	25%	nH/turns <sup>2</sup>
3F36	2400	25%	25%	nH/turns <sup>2</sup>
3F46	1400	25%	25%	nH/turns <sup>2</sup>
3H3	3250	25%	25%	nH/turns <sup>2</sup>

Power loss: 3C91

## Core **RM8/I**

Measuring conditions			Max	Unit
100 kHz	200 mT	60 °C	1.200	W/set
<b>Power loss: 3C94</b>				
Measuring conditions			Max	Unit
100 kHz	200 mT	100 °C	1.200	W/set
<b>Power loss: 3C95</b>				
Measuring conditions			Max	Unit
100 kHz	200 mT	100 °C	1.200	W/set
100 kHz	200 mT	25 °C	1.300	W/set
<b>Power loss: 3C96</b>				
Measuring conditions			Max	Unit
100 kHz	200 mT	100 °C	1.100	W/set
400 kHz	50 mT	100 °C	0.440	W/set
<b>Power loss: 3C97</b>				
Measuring conditions			Max	Unit
100 kHz	200 mT	60 °C	1.200	W/set
100 kHz	200 mT	120 °C	1.200	W/set
100 kHz	200 mT	140 °C	1.500	W/set
<b>Power loss: 3F36</b>				
Measuring conditions			Max	Unit
500 kHz	50 mT	100 °C	0.370	W/set
500 kHz	100 mT	100 °C	2.800	W/set
<b>Power loss: 3F46</b>				
Measuring conditions			Max	Unit
1000 kHz	50 mT	100 °C	0.980	W/set
3000 kHz	10 mT	100 °C	0.550	W/set

Bsat					
Measuring conditions			Material	Min	Unit
25 kHz	250 A/m	100 °C	3C91	320	mT
25 kHz	250 A/m	100 °C	3C94	320	mT
25 kHz	250 A/m	100 °C	3C95	330	mT
25 kHz	250 A/m	100 °C	3C96	340	mT
25 kHz	250 A/m	100 °C	3C97	330	mT
25 kHz	250 A/m	100 °C	3F36	340	mT
25 kHz	250 A/m	100 °C	3F46	330	mT

Accessories		
Ordering name	Description	Ordering code
CLI/P-RM8/I	Clip, with ground pin	432202134311
CPV-RM8/I-1S-12PD	Coil former, termoplastic, vertical	432202134051
CPV-RM8/I-1S-12PD-TZ	Coil former, termoplastic, vertical	432202106651
CSV-RM8-1S-12P-C	Coil former, termoset, vertical	432202107491
CSV-RM8-1S-12P-G	Coil former, termoset, vertical	432202100841

---

**Core RM8/I**

---

CSV-RM8-1S-4P	Coil former, termoset, vertical	432202134861
CSV-RM8-1S-5P	Coil former, termoset, vertical	432202134661
CSV-RM8-1S-8P-G	Coil former, termoset, vertical	432202101401
CSV-RM8-1S-8PL	Coil former, termoset, vertical	432202134871
CSV-RM8-1S-8P-TA	Coil former, termoset, vertical	432202102651
CSV-RM8-2S-12P	Coil former, termoset, vertical	432202134711
CSV-RM8-2S-8P	Coil former, termoset, vertical	432202134701