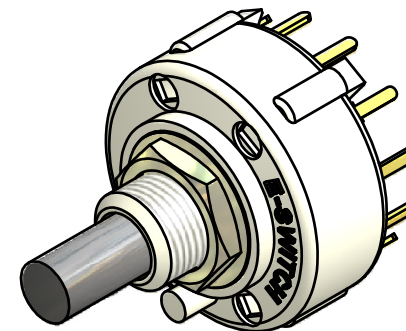
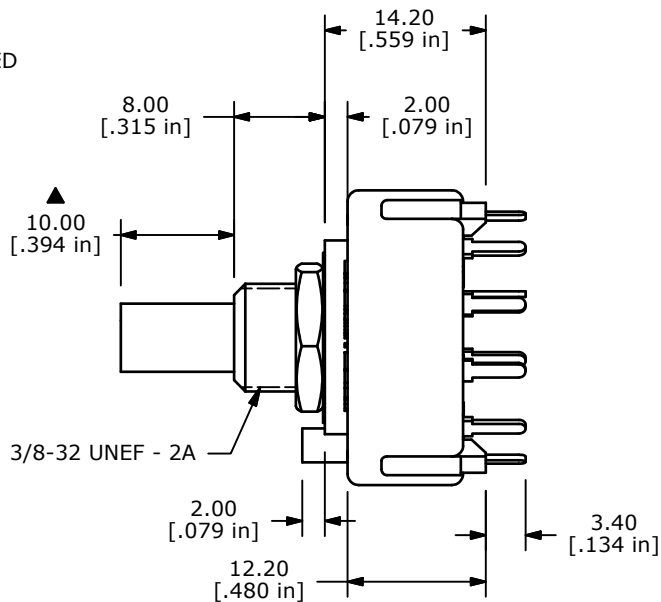
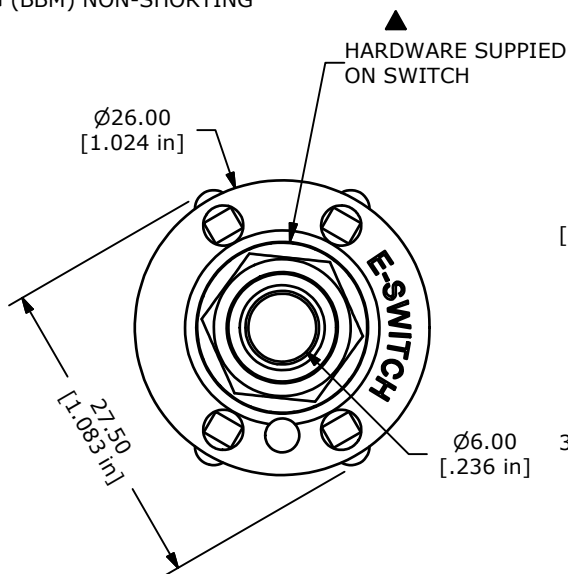
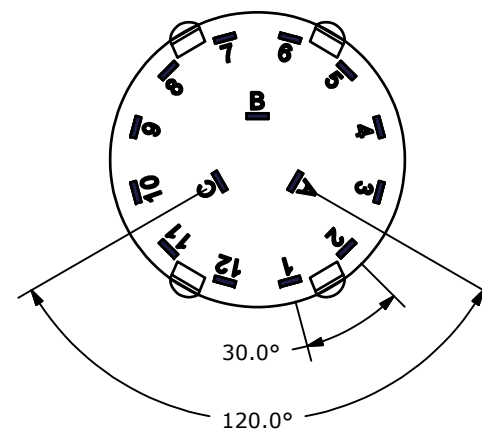


CONTACT CONFIGURATION
TIMING (BBM) NON-SHORTING



ISOMETERIC



NOTE:

1. ALL DIMENSIONS IN MM[INCH].
2. GENERAL TOLERANCE: X.X=± 0.4
X.XX=± 0.25
3. TERM. NOS. FOR REFERENCE ONLY.
- ▲ 4. CONTACT MATERIAL: GOLD FLASH
5. CONTACT RATING: 150MILLIAMP, 250VAC/DC
350MILLIAMP, 110VAC/DC
6. CONTACT RATING (NON-SWITCHING) 5A
7. OPERATING FORCE 425± 100CM/STANDARD
8. OPERATING TEMP: -30°C TO 85°C
- ▲ 9. CIRCUIT 3P: 4 POSITION 30° INDEX.
10. DIELECTRIC STRENGTH: 1000V RMS MIN.@ SEA LEVEL.
- ▲ 11. HARDWARE SUPPLIED ON SWITCH:
LOCKWASHER, LOCKING RING, AND HEXNUT B
12. ▲ DENOTES CRITICAL PARAMETER.



B	20152	ADD LOCKING RING TO NOTE 11.	9/13/11	BGL
A	14297	RELEASED FOR PRODUCTION	9/8/04	AR
REV	PCR NO	DESCRIPTION	DATE	BY

TITLE KC34B10.001NPF				
SCALE	DATE	DR	DWG	REV
1.5:1	9/8/2004	AR	G510354	B

THE INFORMATION CONTAINED IN THIS DOCUMENT IS PROPRIETARY TO E-SWITCH AND IS NOT TO BE COPIED OR TRANSFERRED