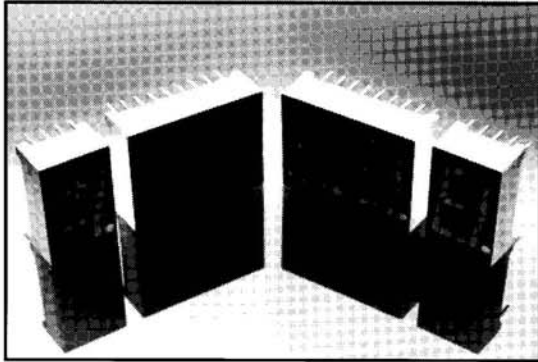




0.560-INCH SEVEN SEGMENT DISPLAYS

ORANGE MAN6600 SERIES



DESCRIPTION

The MAN6600 Series is a family of large digits which includes double and single digits. The series features the sculptured font which minimizes "gappiness" at the segment intersections. Available models include two-digit, one and one-half digits with polarity sign, single digits, and single polarity/overflow digits. All models have right hand decimal points and are available in common anode or common cathode configuration. Units are constructed with Orange face and segment color.

FEATURES

- High performance nitrogen-doped GaAsP on GaP
- Large, easy to read, digits
- Common anode or common cathode models
- Fast switching — excellent for multiplexing
- Low power consumption
- Bold solid segments that are highly legible
- Solid state reliability — long operation life
- Rugged plastic construction
- Directly compatible with integrated circuits
- High brightness with high contrast
- Categorized for Luminous Intensity (See Note 6)
- Wide viewing angle...150°
- Low forward voltage
- Two-digit package simplifies alignment and assembly

APPLICATIONS

For industrial and consumer applications such as:

- Digital readout displays
- Instrument panels
- Point of sale equipment
- Digital clocks
- TV and radios

MODEL NUMBERS

| PART NUMBER | COLOR | DESCRIPTION | PACKAGE DRAWING | PIN OUT SPECIFICATION |
|-------------|--------|---|-----------------|-----------------------|
| MAN6610 | Orange | 2 Digit; Common Anode; Rt. Hand Decimal | A | A |
| MAN6630 | Orange | 1½ Digit; Common Anode; Overflow ±1.8; Rt. Hand Decimal | B | B |
| MAN6640 | Orange | 2 Digit; Common Cathode; Rt. Hand Decimal | A | C |
| MAN6650 | Orange | 1½ Digit; Common Cathode; Overflow ±1.8; Rt. Hand Decimal | B | D |
| MAN6660 | Orange | Single Digit; Common Anode; Rt. Hand Decimal | C | E |
| MAN6675 | Orange | Single Digit; Common Anode; Overflow ±1.0; Rt. Hand Decimal | D | G |
| MAN6680 | Orange | Single Digit; Common Cathode; Rt. Hand Decimal | C | F |
| MAN6695 | Orange | Single Digit; Common Cathode; Overflow ±1.0; Rt. Hand Decimal | D | H |

RECOMMENDED OPTICAL FILTERS

For optimum ON and OFF contrast, one of the following filters or equivalents should be used over the display:

DEVICE TYPE

MAN6600 Series

FILTER

Panelgraphic Scarlet 65
Homalite 100-1670



0.560-INCH SEVEN SEGMENT DISPLAYS

ELECTRO-OPTICAL CHARACTERISTICS

(Per Diode at 25°C Free Air Temperature Unless Otherwise Specified)

| | MIN. | TYP. | MAX. | UNITS | TEST CONDITIONS |
|---|------|------|------|----------------|-----------------------|
| Luminous Intensity, digit average (See Note 1) | 510 | 2200 | | μcd | $I_f = 10 \text{ mA}$ |
| Peak emission wavelength | | 630 | | nm | |
| Spectral line half width | | 40 | | nm | |
| Forward voltage Segment | | | 2.5 | V | $I_f = 20 \text{ mA}$ |
| Decimal point | | | 2.5 | V | $I_f = 20 \text{ mA}$ |
| Dynamic resistance Segment | | 26 | | Ω | $I_f = 20 \text{ mA}$ |
| Decimal point | | 26 | | Ω | $I_f = 20 \text{ mA}$ |
| Capacitance Segment | | 35 | | pF | $V = 0$ |
| Decimal point | | 35 | | pF | $V = 0$ |
| Reverse current Segment | | | 100 | μA | $V_R = 3.0 \text{ V}$ |
| Decimal point | | | 100 | μA | $V_R = 3.0 \text{ V}$ |
| Ratio I_d | | | 2:1 | — | $I_f = 10 \text{ mA}$ |

ABSOLUTE MAXIMUM RATINGS

| | MAN6610 MAN6640 | MAN6630 MAN6650 | MAN6660 MAN6680 | MAN6675 MAN6695 |
|---|--------------------|--------------------|--------------------|--------------------|
| Power dissipation at 25°C ambient. | 1200 mW | 1050 mW | 600 mW | 375 mW |
| Derate linearly from 50°C. | -17 mW/°C | -15.0 mW/°C | -8.6 mW/°C | -5.4 mW/°C |
| Storage and operating temperature. | -40°C to +85°C | -40°C to +85°C | -40°C to +85°C | -40°C to +85°C |
| Continuous forward current | | | | |
| Total. | 480 mA | 420 mA | 240 mA | 150 mA |
| Per segment. | 30 mA | 30 mA | 30 mA | 30 mA |
| Decimal point. | 30 mA | 30 mA | 30 mA | 30 mA |
| Reverse voltage | | | | |
| Per segment. | 6.0 V | 6.0 V | 6.0 V | 6.0 V |
| Decimal point. | 6.0 V | 6.0 V | 6.0 V | 6.0 V |
| Soldering time at 260°C (See Notes 3 and 4) | 5 sec. | 5 sec. | 5 sec. | 5 sec. |

TYPICAL THERMAL CHARACTERISTICS

| | |
|---|------------|
| Thermal resistance junction to free air Φ_{JA} | 160°C/W |
| Wavelength temperature coefficient (case temperature) | 1.0Å/°C |
| Forward voltage temperature coefficient | -2.0 mV/°C |

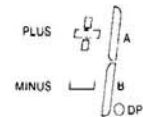
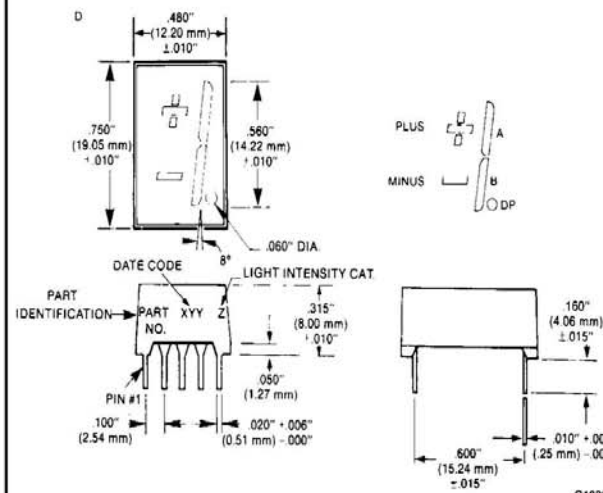
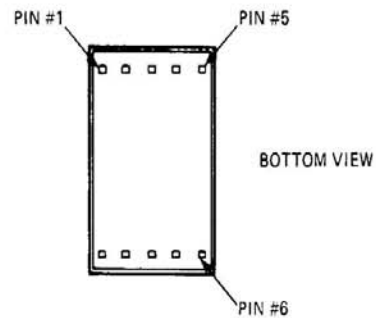
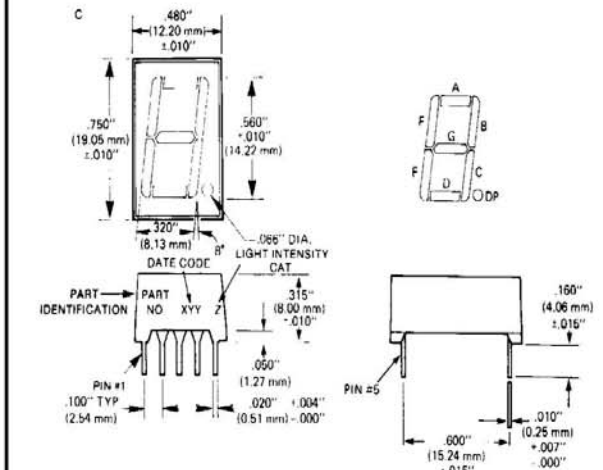
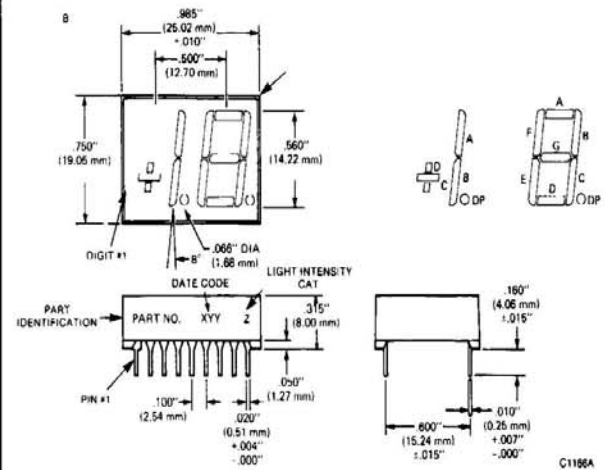
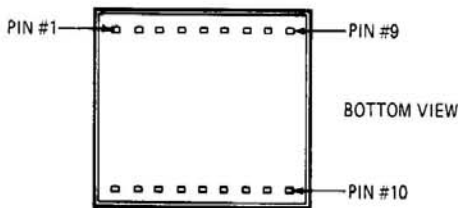
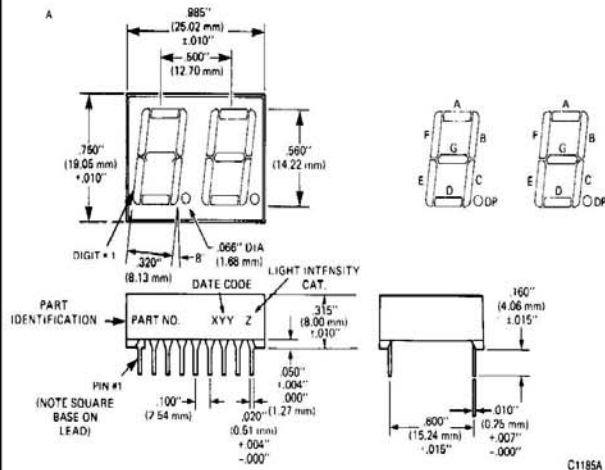
NOTES

1. The digit average Luminous Intensity is obtained by summing the Luminous Intensity of each segment and dividing by the total number of segments. Intensity will not vary more than $\pm 33.3\%$ between all segments within a digit.
2. The curve in Figure 3 is normalized to the brightness at 25°C to indicate the relative efficiency over the operating temperature range.
3. Leads of the device immersed to 1/16 inch from the body. Maximum device surface temperature is 140°C.
4. For flux removal, Freon TF, Freon TE, Isopropanol or water may be used up to their boiling points.
5. All displays are categorized for Luminous Intensity. The Intensity category is marked on each part as a suffix letter to the part number.

EVERLIGHT

0.560-INCH SEVEN SEGMENT DISPLAYS

PACKAGE DIMENSIONS





0.560-INCH SEVEN SEGMENT DISPLAYS

| ELECTRICAL CONNECTIONS | | | | | | | | |
|------------------------|------------------------|---------------|----------------|----------------|--------------|--------------|--------------|--------------|
| Pin No. | ELECTRICAL CONNECTIONS | | | | | | | |
| | A MAN6610 | B MAN6630 | C MAN6640 | D MAN6650 | E MAN6660 | F MAN6680 | G MAN6675 | H MAN6695 |
| 1 | E Cath. (#1) | C Cath. (#1) | E An. (#1) | C An. (#1) | E Cath. | E An. | Minus Cath. | Minus An. |
| 2 | D Cath. (#1) | D Cath. (#1) | D An. (#1) | D An. (#1) | D Cath. | D An. | Com. An. ± | Com. Cath. ± |
| 3 | C Cath. (#1) | B Cath. (#1) | C An. (#1) | B An. (#1) | Com. An. | Com. Cath. | Seg. B Cath. | Seg. B An. |
| 4 | DP Cath. (#1) | DP Cath. (#1) | DP An. (#1) | DP An. (#1) | C Cath. | C An. | Com. An. | Com. Cath. |
| 5 | E Cath. (#2) | E Cath. (#2) | E An. (#2) | E An. (#2) | DP Cath. | DP An. | A, B, DP | A, B, DP |
| 6 | D Cath. (#2) | D Cath. (#2) | D An. (#2) | D An. (#2) | B Cath. | B An. | DP Cath. | DP An. |
| 7 | G Cath. (#2) | G Cath. (#2) | G An. (#2) | G An. (#2) | A Cath. | A An. | Seg. A Cath. | Seg. A An. |
| 8 | C Cath. (#2) | C Cath. (#2) | C An. (#2) | C An. (#2) | Com. An. | Com. Cath. | Com. An. | Com. Cath. |
| 9 | DP Cath. (#2) | DP Cath. (#2) | DP An. (#2) | DP An. (#2) | DP An. (#2) | F Cath. | A, B, DP | A, B, DP |
| 10 | B Cath. (#2) | B Cath. (#2) | B An. (#2) | B An. (#2) | F Cath. | F An. | Com. An. ± | Com. Cath. ± |
| 11 | A Cath. (#2) | A Cath. (#2) | A An. (#2) | A An. (#2) | G Cath. | G An. | Plus Cath. | Plus An. |
| 12 | F Cath. (#2) | F Cath. (#2) | F An. (#2) | F An. (#2) | | | N.C. | N.C. |
| 13 | Digit #2 An. | Digit #2 An. | Digit #2 Cath. | Digit #2 Cath. | | | | |
| 14 | Digit #1 An. | Digit #1 An. | Digit #1 Cath. | Digit #1 Cath. | | | | |
| 15 | B Cath. (#1) | A Cath. (#1) | B An. (#1) | A An. (#1) | | | | |
| 16 | A Cath. (#1) | N.C. | A An. (#1) | N.C. | | | | |
| 17 | G Cath. (#1) | N.C. | G An. (#1) | N.C. | | | | |
| 18 | F Cath. (#1) | N.C. | F An. (#1) | N.C. | | | | |

TYPICAL CHARACTERISTIC CURVES

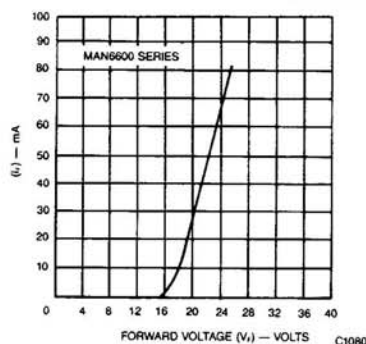


Fig. 1. Forward Current vs. Forward Voltage

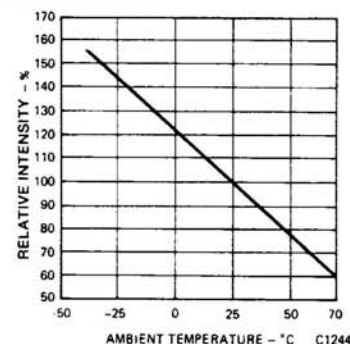


Fig. 2. Relative Luminous Intensity vs. Temperature (see Note 2)

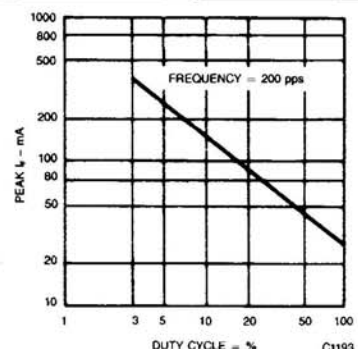


Fig. 3. Max Peak Current vs. Duty Cycle

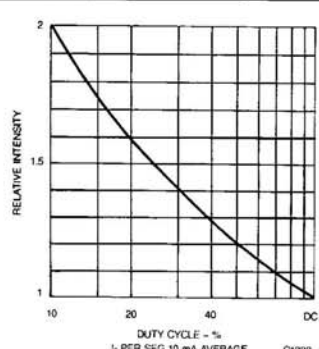


Fig. 4. Luminous Intensity vs. Duty Cycle

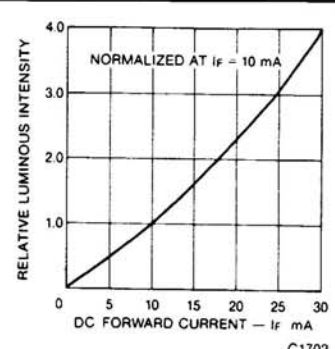
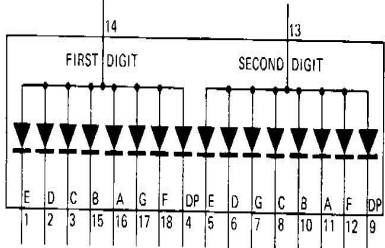


Fig. 5. Relative Luminous Intensity vs. Forward Current

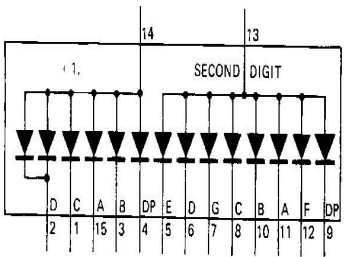


0.560-INCH SEVEN SEGMENT DISPLAYS

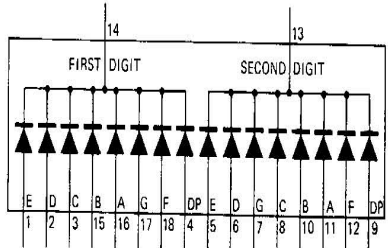
INTERNAL CONNECTIONS



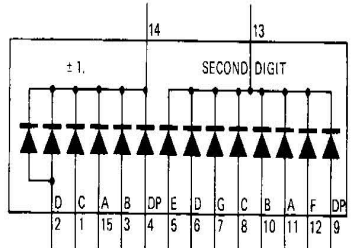
MAN6610 C1195



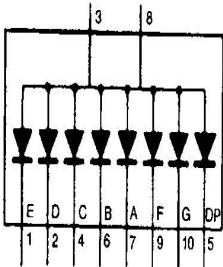
MAN6630 C1196



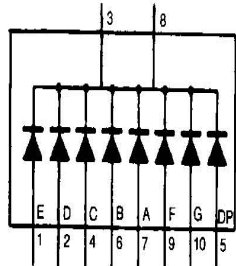
MAN6640 C1197



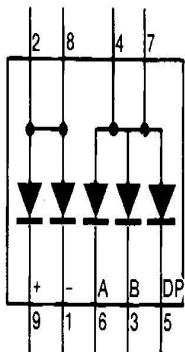
MAN6650 C1198



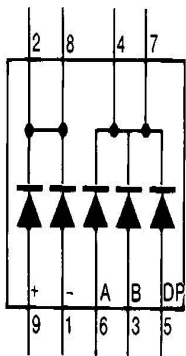
MAN6660 C1238



MAN6680 C1239



MAN6675 C1828



MAN6695 C1829



0.560-INCH SEVEN SEGMENT DISPLAYS

DISCLAIMER

FAIRCHILD SEMICONDUCTOR RESERVES THE RIGHT TO MAKE CHANGES WITHOUT FURTHER NOTICE TO ANY PRODUCTS HEREIN TO IMPROVE RELIABILITY, FUNCTION OR DESIGN. FAIRCHILD DOES NOT ASSUME ANY LIABILITY ARISING OUT OF THE APPLICATION OR USE OF ANY PRODUCT OR CIRCUIT DESCRIBED HEREIN; NEITHER DOES IT CONVEY ANY LICENSE UNDER ITS PATENT RIGHTS, NOR THE RIGHTS OF OTHERS.

LIFE SUPPORT POLICY

FAIRCHILD'S PRODUCTS ARE NOT AUTHORIZED FOR USE AS CRITICAL COMPONENTS IN LIFE SUPPORT DEVICES OR SYSTEMS WITHOUT THE EXPRESS WRITTEN APPROVAL OF THE PRESIDENT OF FAIRCHILD SEMICONDUCTOR CORPORATION. As used herein:

1. Life support devices or systems are devices or systems which, (a) are intended for surgical implant into the body, or (b) support or sustain life, and (c) whose failure to perform when properly used in accordance with instructions for use provided in the labeling, can be reasonably expected to result in a significant injury of the user.
2. A critical component in any component of a life support device or system whose failure to perform can be reasonably expected to cause the failure of the life support device or system, or to affect its safety or effectiveness.