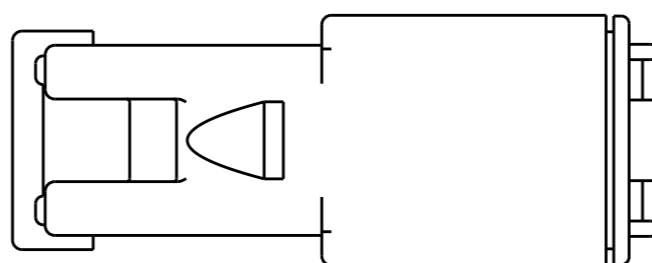
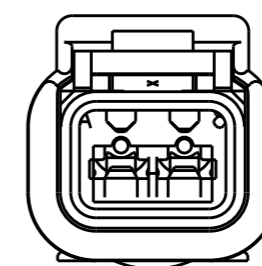
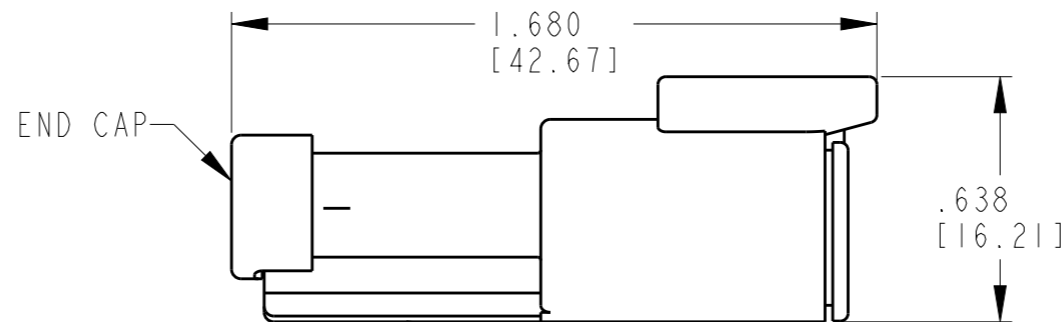
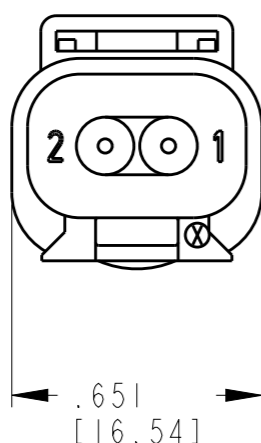
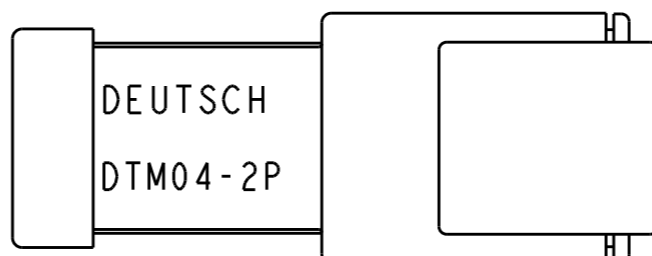
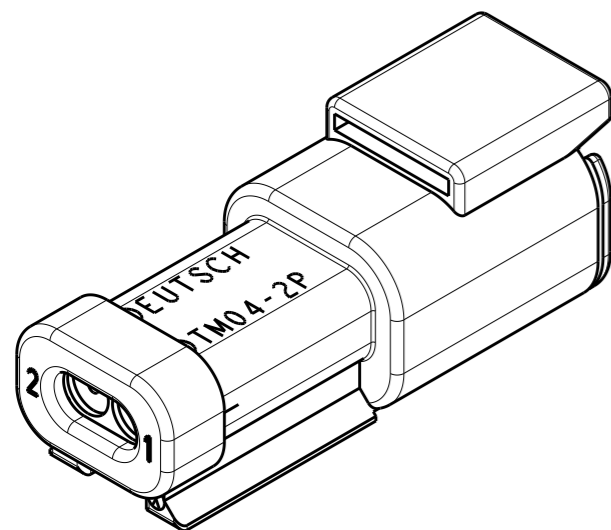


THIS DRAWING IS UNPUBLISHED
 © COPYRIGHT 2018 BY TE CONNECTIVITY ALL RIGHTS RESERVED.
 RELEASED FOR PUBLICATION 2018

LOC	DIST	REVISIONS			
P	LTR	DESCRIPTION	DATE	DWN	APVD
-	-	A1	REVISED PER PCN E-18-000990	16JAN2018	SS DM



TE INTERNAL PN	DEUTSCH PN
DTM04-2P-E003	DTM04-2P-E003

- 4. MATERIAL - HOUSING/END CAP: PA66 GF15 (BLACK)
GROMMET: VMQ (RED-ORANGE).
- 3. THIS RECEPTACLE MATES WITH DTM06-2S-XXXX PLUG.
(XXXX = ALL MODIFICATIONS)
- 2. FOR CONTACT AND WIRE PERFORMANCE AND APPLICATION CHARACTERISTICS SEE ENVELOPE DRAWING 0425-015-0000
- 1. SECONDARY WEDGE LOCK SOLD SEPARATELY: WM-2P, WM-2PX.
(X= A,B,C,D KEYS)

NOTES:

CONTACT SIZE	MIN. INSUL. O.D.	MAX. INSUL. O.D.	WIRE RANGE [mm ²] REF ONLY
20	.053 [1.35]	.120 [3.05]	16-20 AWG [1.0-0.5]

THIS DRAWING IS A CONTROLLED DOCUMENT.		DWN S. ZERMENO 22MAY2011	TE Connectivity			
DIMENSIONS: INCHES [mm]		CHK B. BYFORD 27JUN2011				
TOLERANCES UNLESS OTHERWISE SPECIFIED:		APVD S. BEARD 20JUN2011	NAME RECEPTACLE W/END CAP 2 CONTACTS, SIZE 20 E003 MOD DTM SERIES			
0 PLC ± 1 PLC ± 2 PLC ± 3 PLC ±.025 [0.64] 4 PLC ± ANGLES ±		PRODUCT SPEC 108-151010				
MATERIAL 4	FINISH -	APPLICATION SPEC -	SIZE A3	CAGE CODE 4AFU8	DRAWING NO. ©-DTM04-2P-E003	RESTRICTED TO -
CUSTOMER DRAWING			SCALE 4:1	SHEET 1	OF 1	REV A1