

3.3V Bus LVDS High-Speed Differential Line Drivers and Receivers

Features

- Signaling Rates >660 Mbps (330 MHz)
- Single 3.3V Power Supply Design
- Driver:
 - $\pm 350\text{mV}$ Differential Swing into a 50-ohm load
 - Propagation Delay of 1.5ns Typ.
 - Low Voltage TTL (LVTTTL) Inputs are 5V Tolerant
 - Driver is High Impedance when Disabled or $V_{CC} < 1.5\text{V}$
- Receiver:
 - Accepts $\pm 50\text{mV}$ (min.) Differential Swing with up to 2.0V ground potential difference
 - Propagation Delay of 2ns Typ.
 - Low Voltage TTL (LVTTTL) Outputs
 - Open, Short, and Terminated Fail Safe
- Industrial Temperature Operating Range: -40°C to 85°C
- Bus-Terminal ESD $\geq 12\text{kV}$
- Packaging (Pb-free & Green available):
 - PI90LVB179: 8-pin SOIC (W) & 8-pin MSOP (U)
 - PI90LVB180: 14-pin TSSOP (L) & 14-pin SOIC (W)
 - PI90LVB050: 16-pin TSSOP (L) & 16-pin SOIC (W)
 - PI90LVB051: 16-pin TSSOP (L) & 16-pin SOIC (W)

Description

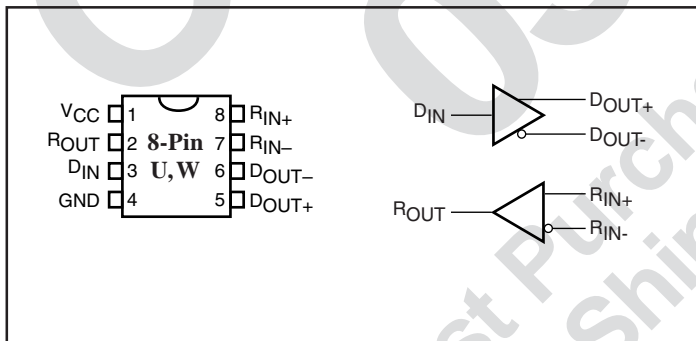
The PI90LVB179, PI90LVB180, PI90LVB050, and PI90LVB051 are differential line drivers and receivers (transceivers) that are similar to the IEEE 1596.3 SCI and ANSI/TIA/EIA-644 LVDS standards (the difference is that the driver output current is doubled). This modification enables true half-duplex operation with more than one LVDS driver or with two line transmission resistors over a 50-ohm differential transmission line. These devices use low-voltage differential signaling (LVDS) to achieve data rates in excess of 660 Mbps while being less susceptible to noise than single-ended transmission.

The drivers translate a low-voltage TTL/CMOS input into a low-voltage (350mV typical) differential output signal into a 50-ohm load. The receivers translate a differential 350mV input signal to a 3V CMOS output level. Driver section can be independently set to a power-down & high-impedance output mode with the DEN pin (active HIGH). Receiver section is controlled by the REN* pin (active LOW).

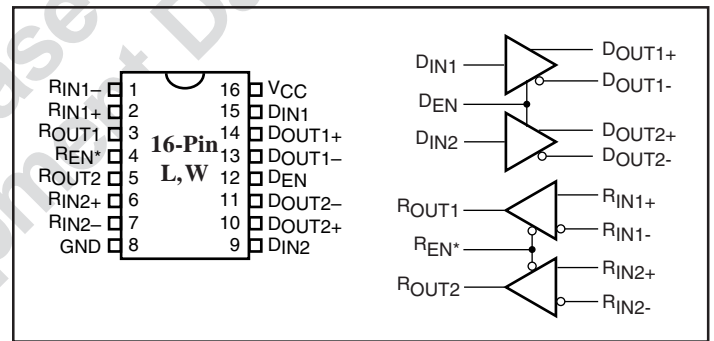
Applications

Applications include point-to-point and multidrop baseband data transmission over a controlled impedance media of approximately 50-ohms. These include intra-system connections via printed circuit board traces or cables, hubs and routers for data communications; PBXs, switches, repeaters & base stations for telecommunications and other applications such as digital cameras, printers and copiers.

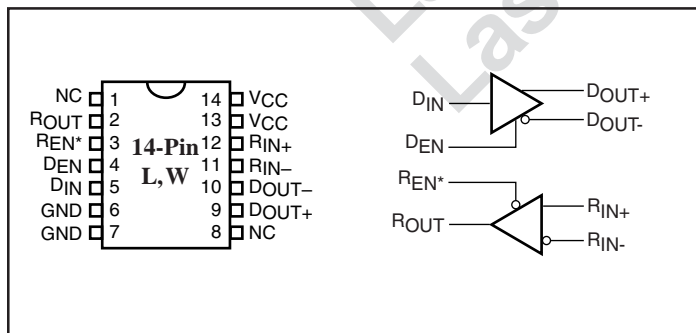
PI90LVB179



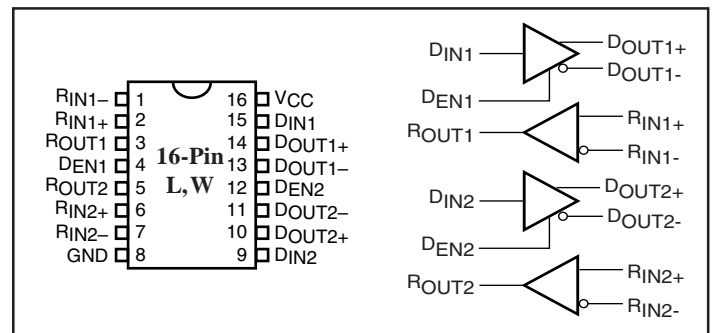
PI90LVB050



PI90LVB180



PI90LVB051



Function Tables

PI90LVB179 Receiver

| Inputs | Output |
|--------------------------------|-----------|
| $V_{ID} = V_{RIN+} - V_{RIN-}$ | R_{OUT} |
| $V_{ID} \geq 50mV$ | H |
| $-50mV < V_{ID} < 50mV$ | ? |
| $V_{ID} \leq -50mV$ | L |
| open | H |

PI90LVB179 Driver

| Input | Output | |
|----------|------------|------------|
| D_{IN} | D_{OUT+} | D_{OUT-} |
| L | L | H |
| H | H | L |
| open | L | H |

PI90LVB180/PI90LVB050/PI90LVB051 Receivers

| Inputs | Output | |
|--------------------------------|-----------|-----------|
| $V_{ID} = V_{RIN+} - V_{RIN-}$ | R_{EN*} | R_{OUT} |
| $V_{ID} \geq 50mV$ | L | H |
| $-50mV < V_{ID} < 50mV$ | L | ? |
| $V_{ID} \leq -50mV$ | L | L |
| open | L | H |
| X | H | Z |

PI90LVB180/PI90LVB050/PI90LVB051 Drivers

| Inputs | | Output | |
|----------|----------|------------|------------|
| D_{IN} | D_{EN} | D_{OUT+} | D_{OUT-} |
| L | H | L | H |
| H | H | H | L |
| open | H | L | H |
| X | L | Z | Z |

Notes:

H = High Level, L = Low Level, ? = Indeterminate,
Z = High-Impedance, X = Don't Care

Pin Descriptions

| Name | Description |
|------------|--|
| D_{IN} | TTL/CMOS driver input pins |
| D_{OUT+} | Non-inverting driver output pins |
| D_{OUT-} | Inverting driver output pins |
| R_{OUT} | TTL/CMOS receiver output pins |
| R_{IN+} | Non-inverting receiver input pins |
| R_{IN-} | Inverting receiver input pins |
| V_{ID} | Input Differential Signal Voltage |
| GND | Ground pin |
| V_{CC} | Positive power supply pin, +3.3V \pm 10% |

Absolute Maximum Ratings

| | |
|---|------------------------------|
| Supply Voltage (V_{CC}) | -0.5V to +4.0V |
| Driver | |
| Input Voltage (D_{IN}) | -0.3V to ($V_{CC} + 0.3V$) |
| Output Voltage (D_{OUT+}, D_{OUT-}) | -0.3V to +3.9V |
| Short Circuit Duration (D_{OUT+}, D_{OUT-}) | Continuous |
| Enable Input Voltage (D_{EN}) | -0.3V to ($V_{CC} + 0.3V$) |
| Receiver | |
| Input Voltage (R_{IN+}, R_{IN-}) | -0.3V to +3.9V |
| Output Voltage (R_{OUT}) | -0.3V to ($V_{CC} + 0.3V$) |
| Enable Input Voltage (R_{EN*}) | -0.3V to ($V_{CC} + 0.3V$) |
| Storage Temperature Range | -65°C to +150°C |
| Lead Temperature Range Soldering (4s) | +260°C |
| Maximum Junction Temperature | +150°C |
| ESD Rating | >12kV |

Recommended Operating Conditions

| | Min. | Typ. | Max. | Units |
|--|--------------|------|----------------|-------|
| Supply Voltage (V_{CC}) | 3 | 3.3 | 3.6 | V |
| High Level Input Voltage, V_{IH} | 2 | | | |
| Low Level Input Voltage, V_{IL} | | | 0.8 | |
| Magnitude of Differential Input Voltage V_{ID} | 0.1 | | 0.6 | |
| Common-mode Input Voltage, V_{IC} (Fig 5) | $ V_{ID} /2$ | | 2.4 | |
| | | | $- V_{ID} /2$ | |
| | | | $V_{CC} - 0.8$ | |
| Operating Free Air Temperature T_A | -40 | | 85 | °C |

Electrical Characteristics (Over recommended operating conditions unless otherwise noted).

| Parameter | | Test Condition | Min. | Typ.† | Max. | Units |
|----------------------------------|---|--|--|-------|------|-------|
| I _{CC} * Supply Current | PI90LVB179 | No receiver load, Driver R _L = 50-ohms | | 14 | 19.5 | mA |
| | PI90LVB180 | Driver and receiver enabled. No receiver load, Driver R _L = 50-ohms | | 12.5 | 16.4 | |
| | | Driver enabled, Receiver disabled, R _L = 50 ohms | | 10.2 | 14 | |
| | | Driver disabled, Receiver enabled, No load | | 3.4 | 5 | |
| | | Disabled | | 0.8 | 1.5 | |
| | | PI90LVB050 | Driver and receivers enabled. No receiver loads, Driver R _L = 50-ohms | | 25 | |
| | Drivers enabled, Receivers disabled, R _L = 50-ohms | | | 14.8 | 20 | |
| | Drivers disabled, Receivers enabled, No loads | | | 6 | 8 | |
| | Disabled | | | 0.8 | 1.3 | |
| | PI90LVB051 | Drivers enabled, No receiver loads, Driver R _L = 50-ohms | | 27 | 33 | |
| Drivers disabled, No loads | | | 6.5 | 8.8 | | |

†All typical values are at 25°C with a 3.3V supply

*I_{CC} measured with all TTL input. V_{IN} = V_{CC} or GND.

Driver Electrical Characteristics (Over recommended operating conditions unless otherwise noted).

| Parameter | | Test Conditions | Min. | Typ. | Max. | Units |
|----------------------|--|---|------------------------|------|-------|-------|
| V _{OD} | Differential output voltage magnitude | R _L = 50-ohms See Figures 1 and 2 | 247 | 380 | 475 | mV |
| Δ V _{OD} | Change in differential output voltage magnitude between logic states | | -50 | | 50 | |
| V _{OC(SS)} | Steady-state common-mode output voltage | See Figure 3 | 1.125 | 1.25 | 1.375 | V |
| ΔV _{OC(SS)} | Change in steady-state common-mode output voltage between logic states | | -50 | | 50 | mV |
| V _{OC(PP)} | Peak-to-peak common-mode output voltage | | | 50 | 150 | |
| I _{IH} | High-level input current | DE | V _{IH} = 5V | -0.5 | -20 | μA |
| | | D _{IN} | | 2 | 20 | |
| I _{IL} | Low-level input current | DE | V _{IL} = 0.8V | -0.5 | -10 | |
| | | D _{IN} | | 2 | 10 | |
| I _{OS} | Short-circuit output current | V _{OY} or V _{OZ} = 0V | | -11 | -15 | mA |
| | | V _{OD} = 0V | | -12 | -15 | |
| I _{OZ} | High-impedance output current | V _{OD} = 600mV | | | ±1 | μA |
| | | V _O = 0V or V _{CC} | | | ±1 | |
| I _{O(OFF)} | Power-off output current | V _{CC} = 0V, V _O = 3.6V | | | ±1 | |
| C _{IN} | Input capacitance | | | 7 | | pF |

Receiver Electrical Characteristics (Over recommended operating conditions unless otherwise noted).

| Parameter | | Test Conditions | Min. | Typ. | Max. | Units | |
|---------------------|---|--------------------------|------|------|------|-------|----|
| V _{ITH+} | Positive-going differential input voltage threshold | See Figures 5 & Table 1 | | | 50 | mV | |
| V _{ITH-} | Negative-going differential input voltage threshold | | -50 | | | | |
| V _{OH} | High-level output voltage | I _{OH} = -8mA | 2.4 | | | V | |
| V _{OL} | Low-level output voltage | I _{OL} = 8mA | | | 0.4 | V | |
| I _I | Input current (R _{IN+} or R _{IN-}) | V _I = 0 | -2 | -11 | -20 | μA | |
| | | V _I = 2.4V | -1.2 | -3 | | | |
| I _{I(OFF)} | Power-off input current (R _{IN+} or R _{IN-}) | V _{CC} = 0 | | | ±20 | | |
| I _H | High-level input current (enables) | V _{IH} = 2V | | | ±10 | | |
| I _L | Low-level input current (enables) | V _{IL} = 0.8V | | | ±10 | | |
| I _{OZ} | High-impedance output current | V _O = 0 or 5V | | | ±10 | | |
| C _I | Input capacitance | | | 6.6 | | | pF |

† All typical values are at 25°C with a 3.3V supply

Driver Switching Characteristics (Over recommended operating conditions unless otherwise noted).

| Parameter | | Test Conditions | Min. | Typ.† | Max. | Units | |
|---------------------|---|---|--------------|-------|------|-------|----|
| t _{PLH} | Propagation delay time, low-to-high-level output | R _L = 50-ohms C _L = 10pF See Figure 2 | | 1.7 | 2.6 | ns | |
| t _{PHL} | Propagation delay time, high-to-low-level output | | | 1.7 | 2.6 | | |
| t _r | Differential output signal rise time | | | 0.4 | 0.8 | | |
| t _f | Differential output signal fall time | | | 0.4 | 0.8 | | |
| t _{sk(p)} | Pulse skew (t _{PHL} - t _{PLH}) | | | | 250 | 360 | ps |
| t _{sk(o)} | Channel-to-channel output skew‡ | | | | 90 | 160 | |
| t _{sk(pp)} | Part-part-part skew** | | | | | 0.9 | ns |
| t _{PZH} | ENABLE TIME, High Impedance to High Level output | | See Figure 4 | | 3 | 5 | |
| t _{PZL} | ENABLE TIME, High Impedance to Low Level output | | | 3 | 5 | | |
| t _{PHZ} | DISABLE TIME, High Level to High Impedance output | | | 3 | 5 | | |
| t _{PLZ} | DISABLE TIME, Low Level to High Impedance output | | | 3 | 5 | | |

† All typical values are at 25°C with a 3.3V supply

‡ t_{sk(o)}: the maximum delay time difference between drivers on the same device.

** t_{sk(pp)}: magnitude of difference in propagation delay times between any specific terminals of two devices (all things being equal)

Receiving Switching Characteristics (Over recommended operating conditions unless otherwise noted).

| Parameter | | Test Conditions | Min. | Typ. [†] | Max. | Units |
|----------------|---|------------------------------|------|-------------------|------|-------|
| t_{PLH} | Propagation delay time, low-to-high-level output | $C_L = 10pF$ See Figure 6 | | 2 | 3.0 | ns |
| t_{PHL} | Propagation delay time, high-to-low-level output | | | 2.1 | 3.0 | |
| $t_{sk(pp)**}$ | Part-part-part skew** | | | | 1.0 | |
| $t_{sk(p)}$ | Pulse skew ($t_{PHL} - t_{PLH}$) | | | 300 | 750 | ps |
| $t_{sk(o)}$ | Channel-to-channel skew | | | 60 | | |
| t_r | Output signal rise time | | | 1.0 | 1.5 | ns |
| t_f | Output signal fall time | | 1.2 | 1.8 | | |
| t_{PZH} | ENABLE TIME, High Impedance to High Level output | See Figure 7 | | 1.7 | 2.3 | |
| t_{PZL} | ENABLE TIME, High Impedance to Low Level output | | | 4.5 | 5.7 | |
| t_{PHZ} | DISABLE TIME, High Level to High Impedance output | | | 2.5 | 3.2 | |
| t_{PLZ} | DISABLE TIME, Low Level to High Impedance output | | | 6.0 | 7.8 | |

† All typical values are at 25°C with a 3.3V supply.

** $t_{sk(pp)}$ is magnitude of difference in propagation delay times between any specific terminals of two devices (all things being equal).

Parameter Measurement Information

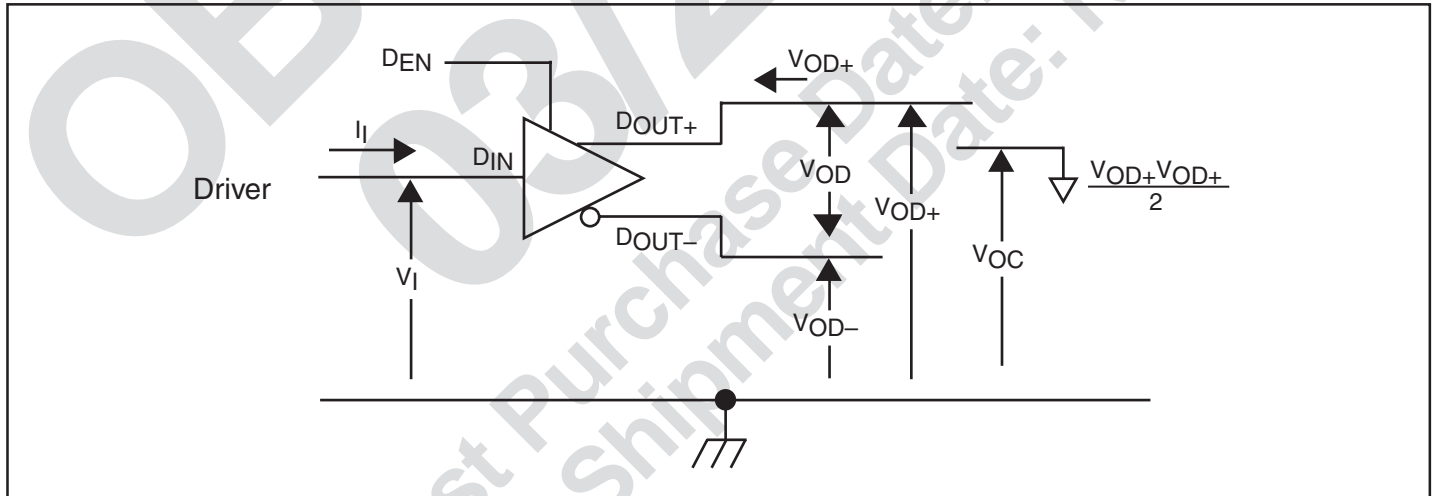


Figure 1. Driver Voltage and Current Definitions

Parameter Measurement Information

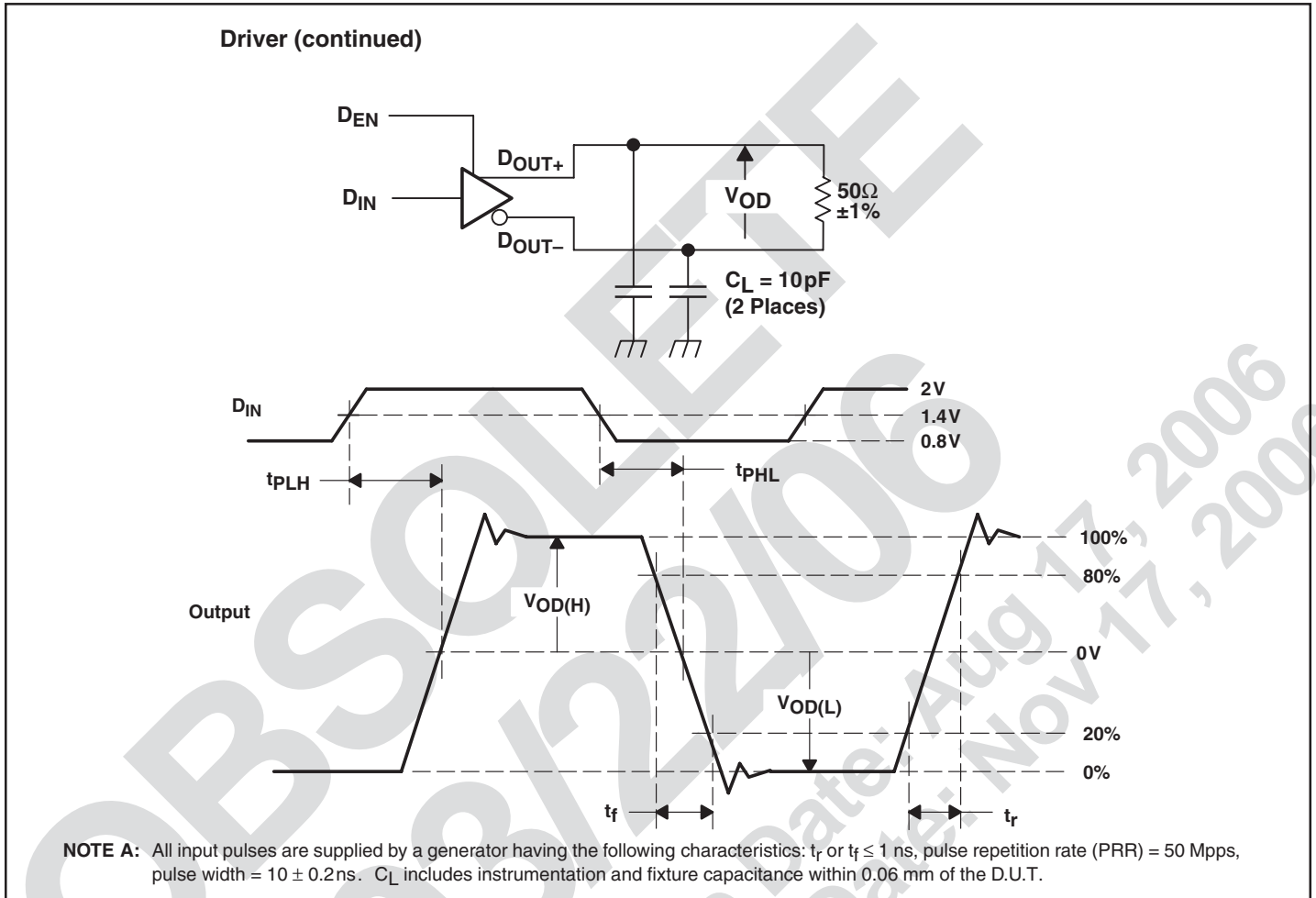


Figure 2. Test Circuit, Timing, and Voltage Definitions for the Differential Output Signal

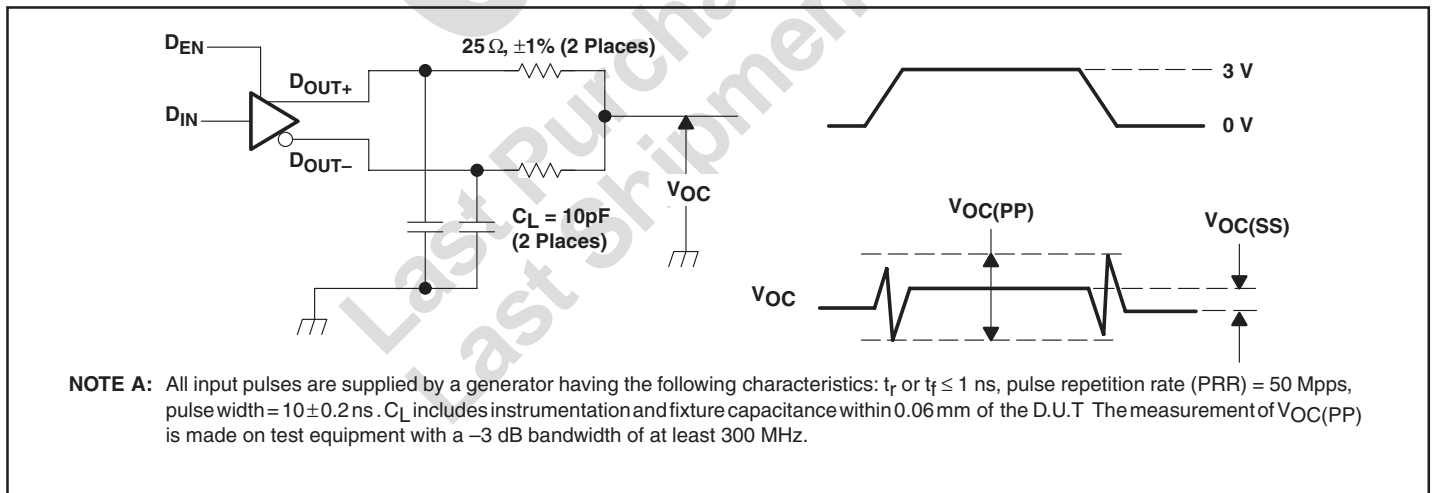


Figure 3. Test Circuit and Definitions for the Driver Common-Mode Output Voltage

Parameter Measurement Information (continued)

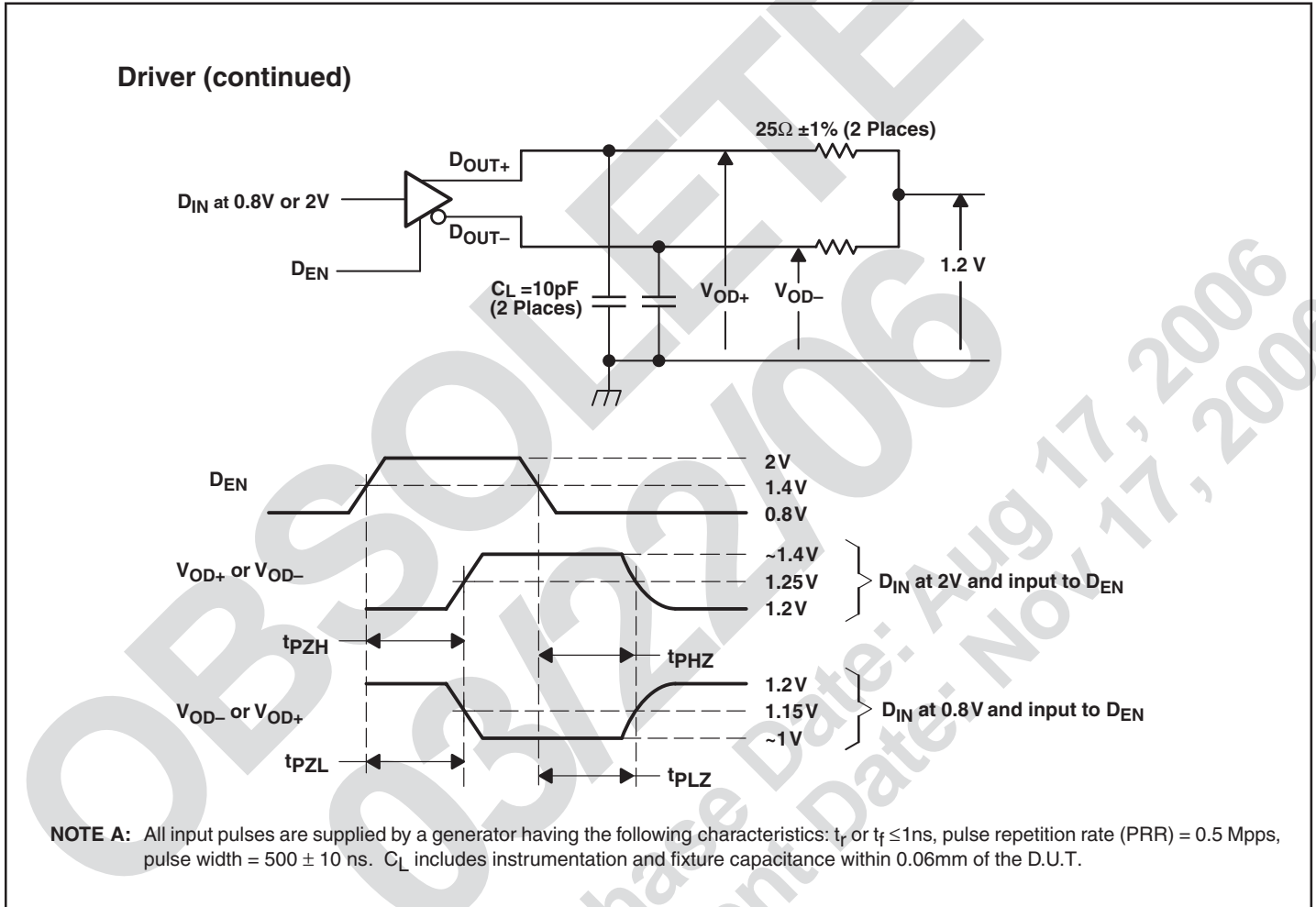


Figure 4. Enable and Disable Timing Circuit and Definitions

Parameter Measurement Information (continued)

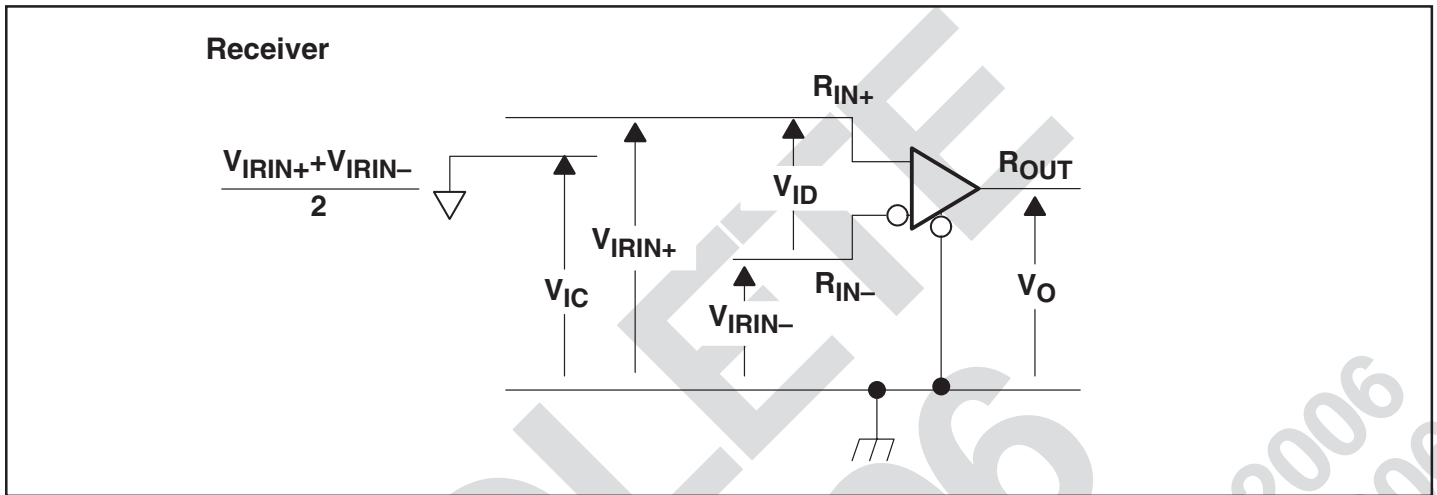


Figure 5. Receiver Voltage Definitions

Table 1. Receiver Minimum and Maximum Input Threshold Test Voltages

| APPLIED VOLTAGES (V) | | RESULTING DIFFERENTIAL INPUT VOLTAGE (mV) | RESULTING COMMON-MODE INPUT VOLTAGE (V) |
|----------------------|-------------|---|---|
| V_{IRIN+} | V_{IRIN-} | V_{ID} | V_{IC} |
| 1.225 | 1.175 | 50 | 1.2 |
| 1.175 | 1.225 | -50 | 1.2 |
| 2.375 | 2.325 | 50 | 2.35 |
| 2.325 | 2.375 | -50 | 2.35 |
| 0.1 | 0 | 50 | 0.05 |
| 0 | 0.05 | -50 | 0.05 |
| 1.5 | 0.9 | 600 | 1.2 |
| 0.9 | 1.5 | -600 | 1.2 |
| 2.4 | 1.8 | 600 | 2.1 |
| 1.8 | 2.4 | -600 | 2.1 |
| 0.6 | 0 | 600 | 0.3 |
| 0 | 0.6 | -600 | 0.3 |

Parameter Measurement Information (continued)

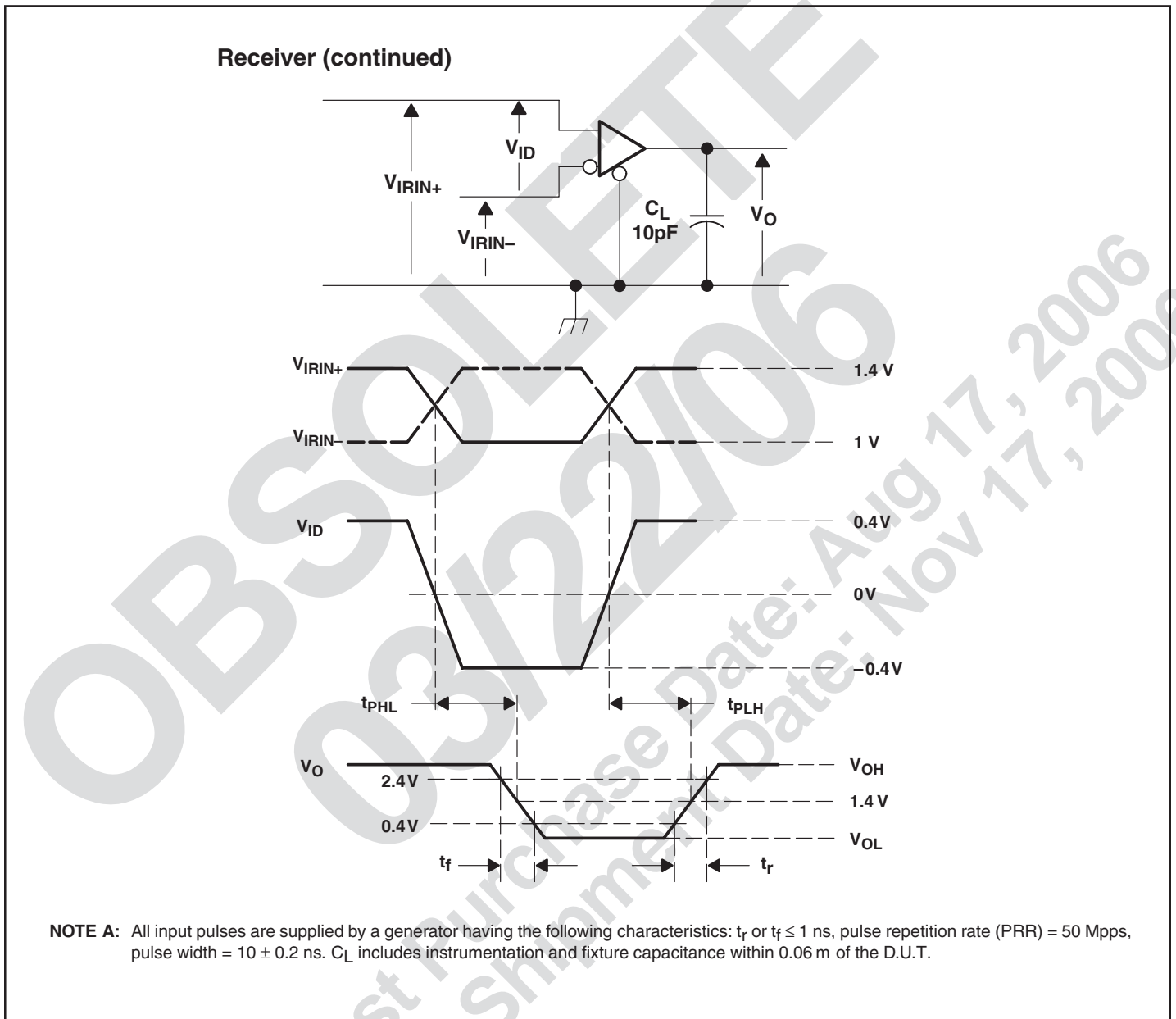
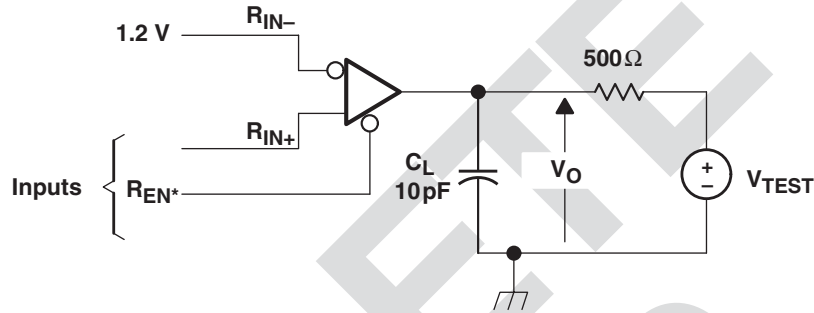


Figure 6. Timing Test Circuit and Waveforms

Parameter Measurement Information (continued)

Receiver (continued)



NOTE A: All input pulses are supplied by a generator having the following characteristics: t_r or $t_f \leq 1$ ns, pulse repetition rate (PRR) = 0.5 Mpps, pulse wide = 500 ± 10 ns. C_L includes instrumentation and fixture capacitance within 0.06m of the D.U.T.

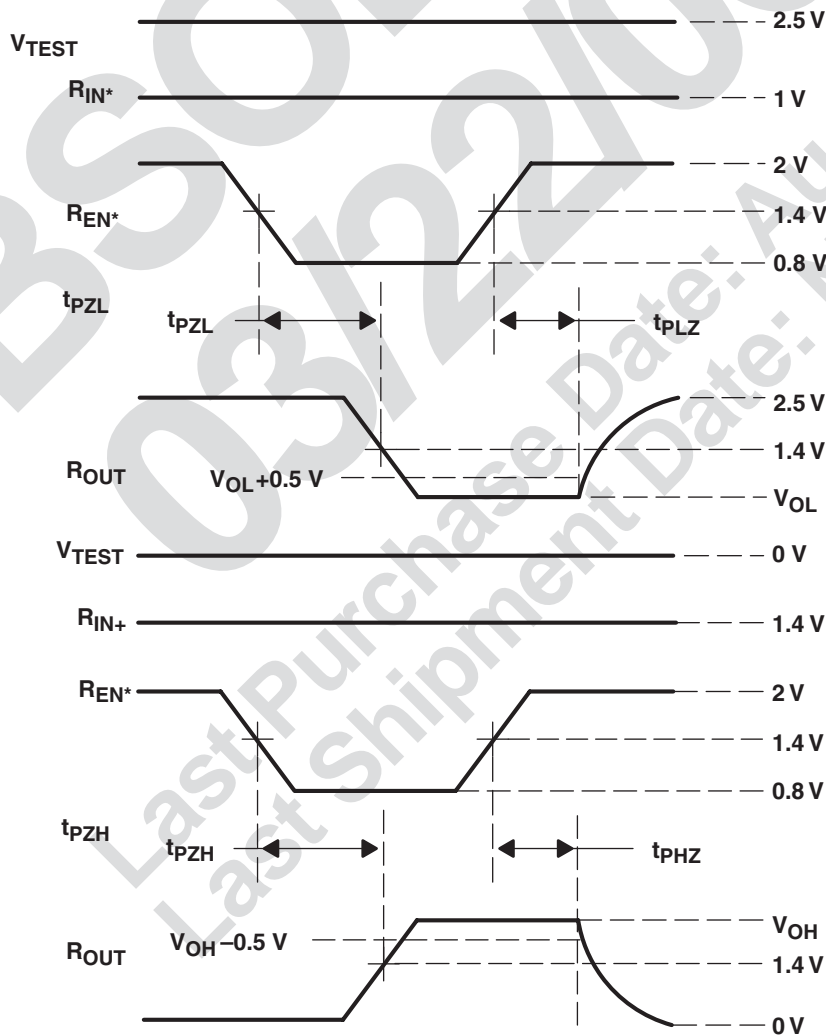
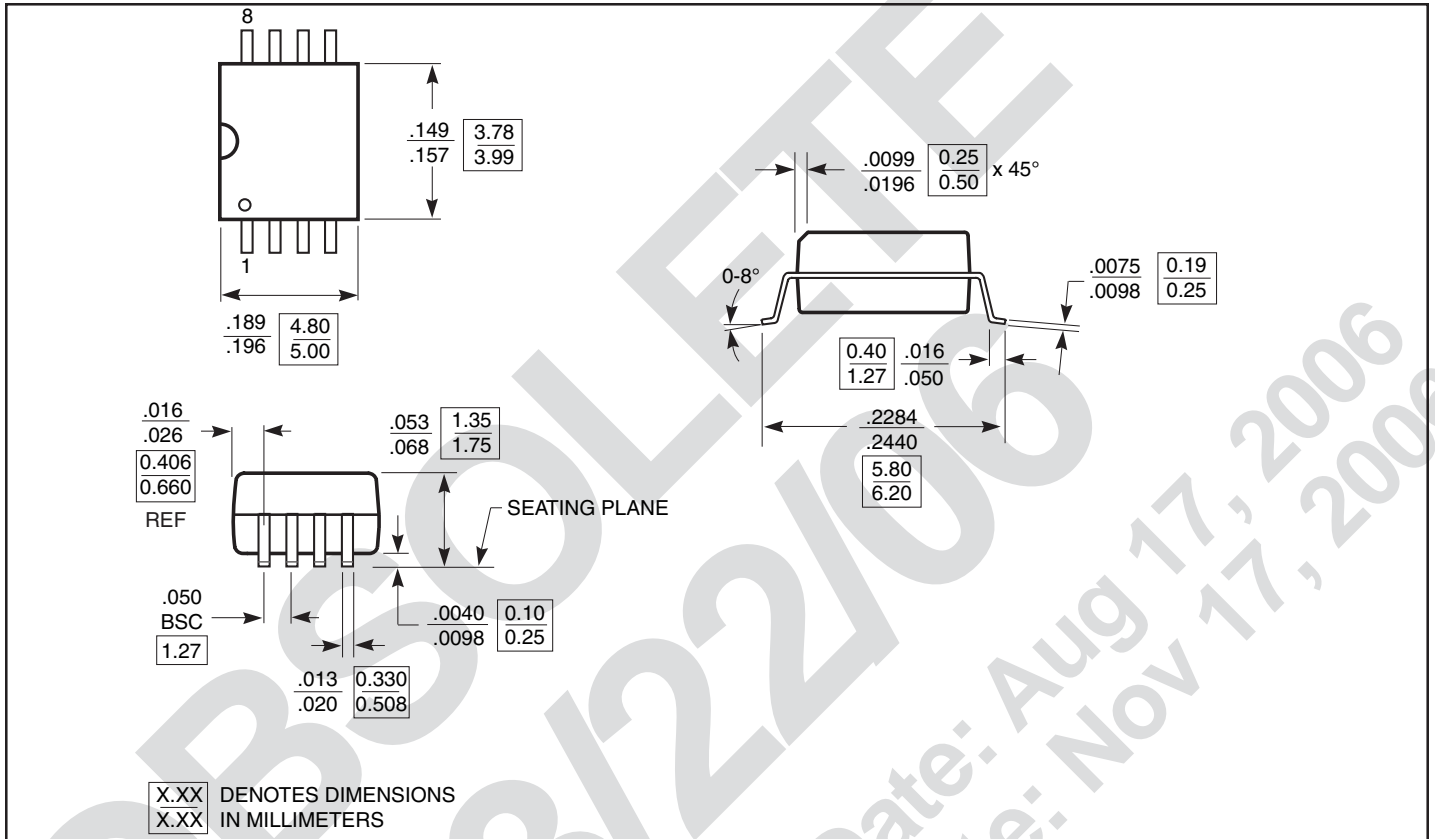
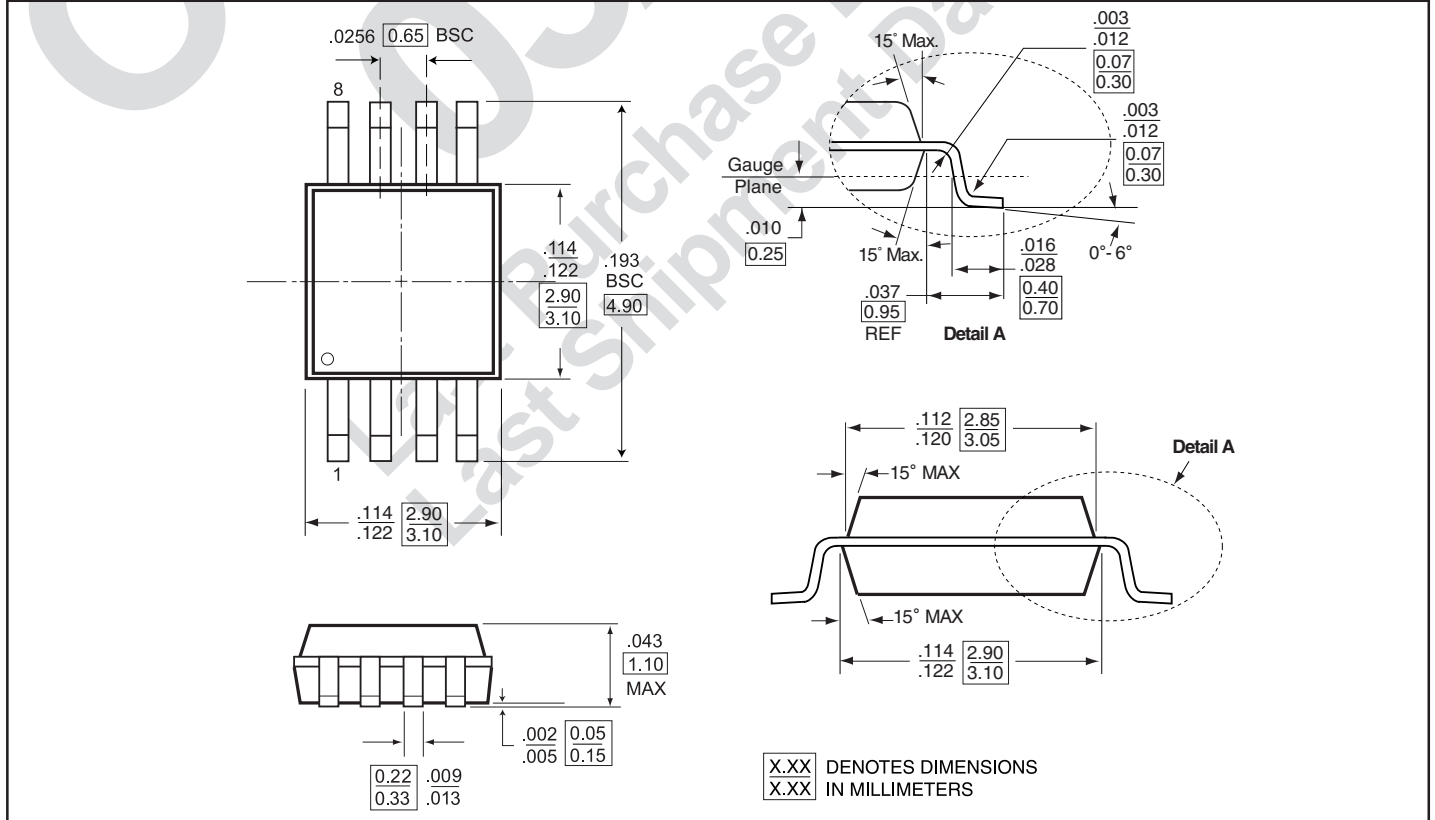


Figure 7. Enable/Disable Time Test Circuit and Waveforms

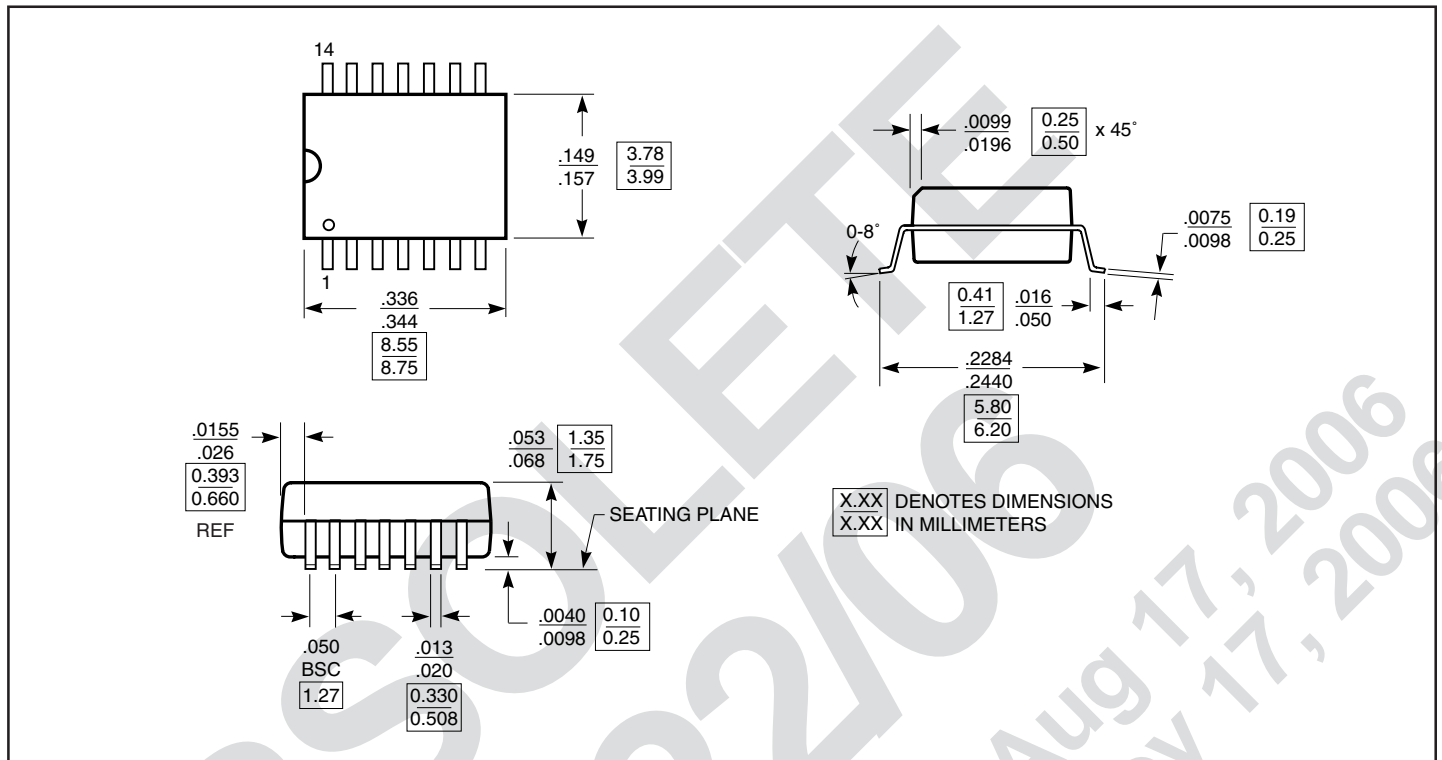
Packaging Mechanical: 8-Pin SOIC (W)



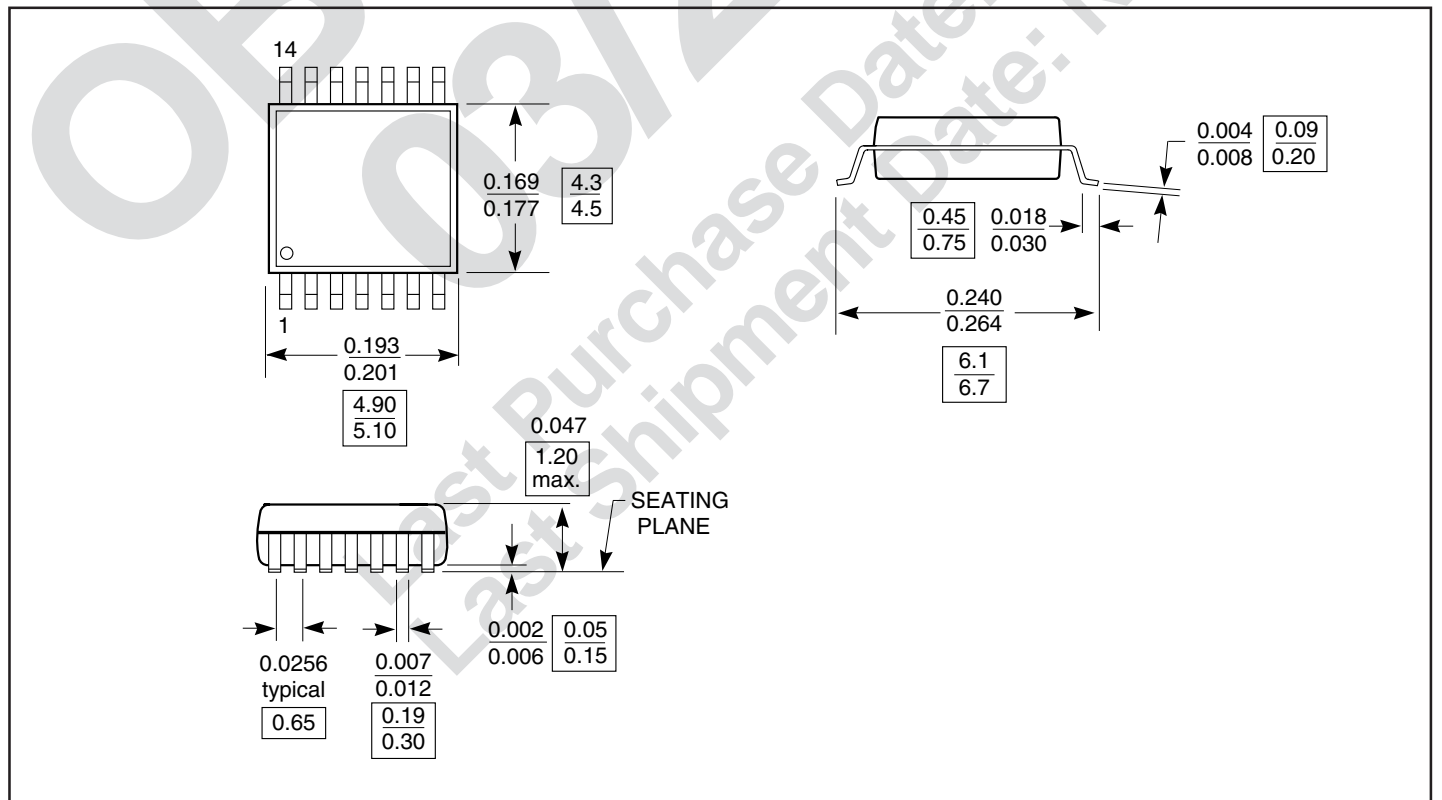
Packaging Mechanical: 8-Pin MSOP (U)



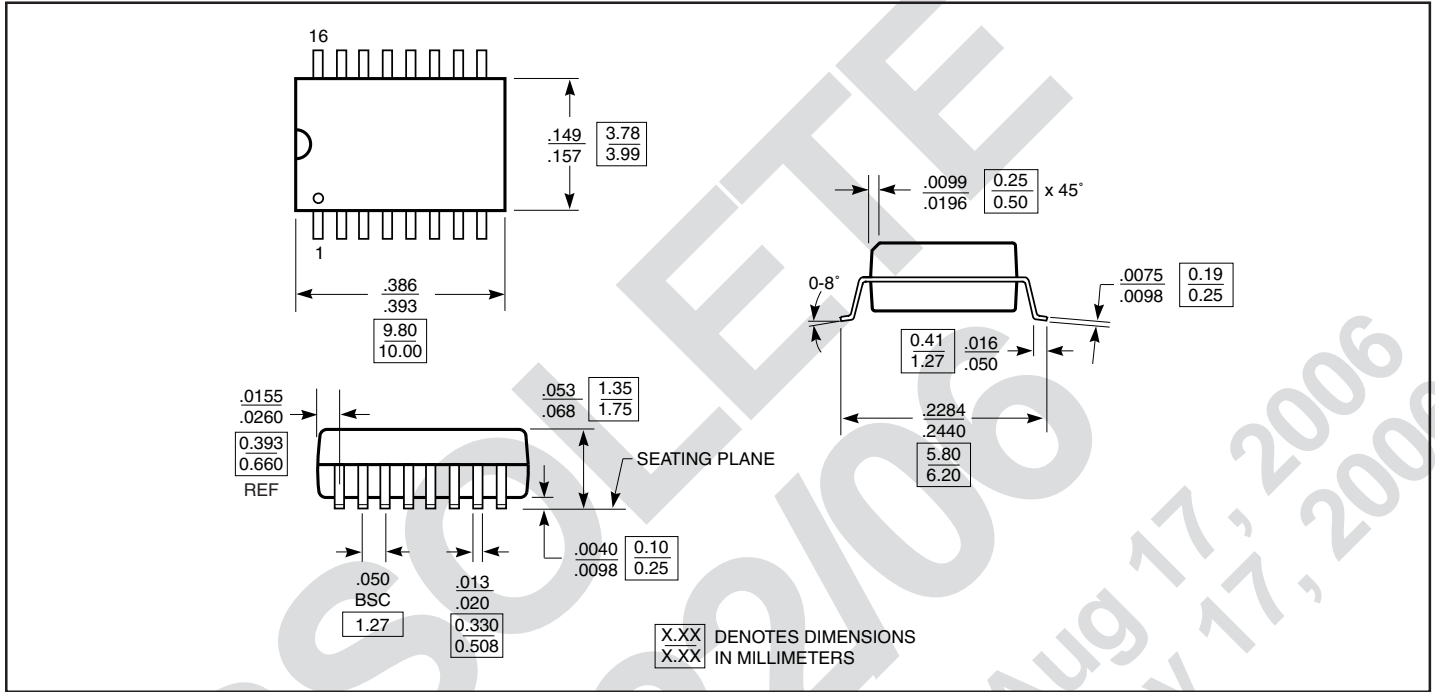
Packaging Mechanical: 14-Pin SOIC(W)



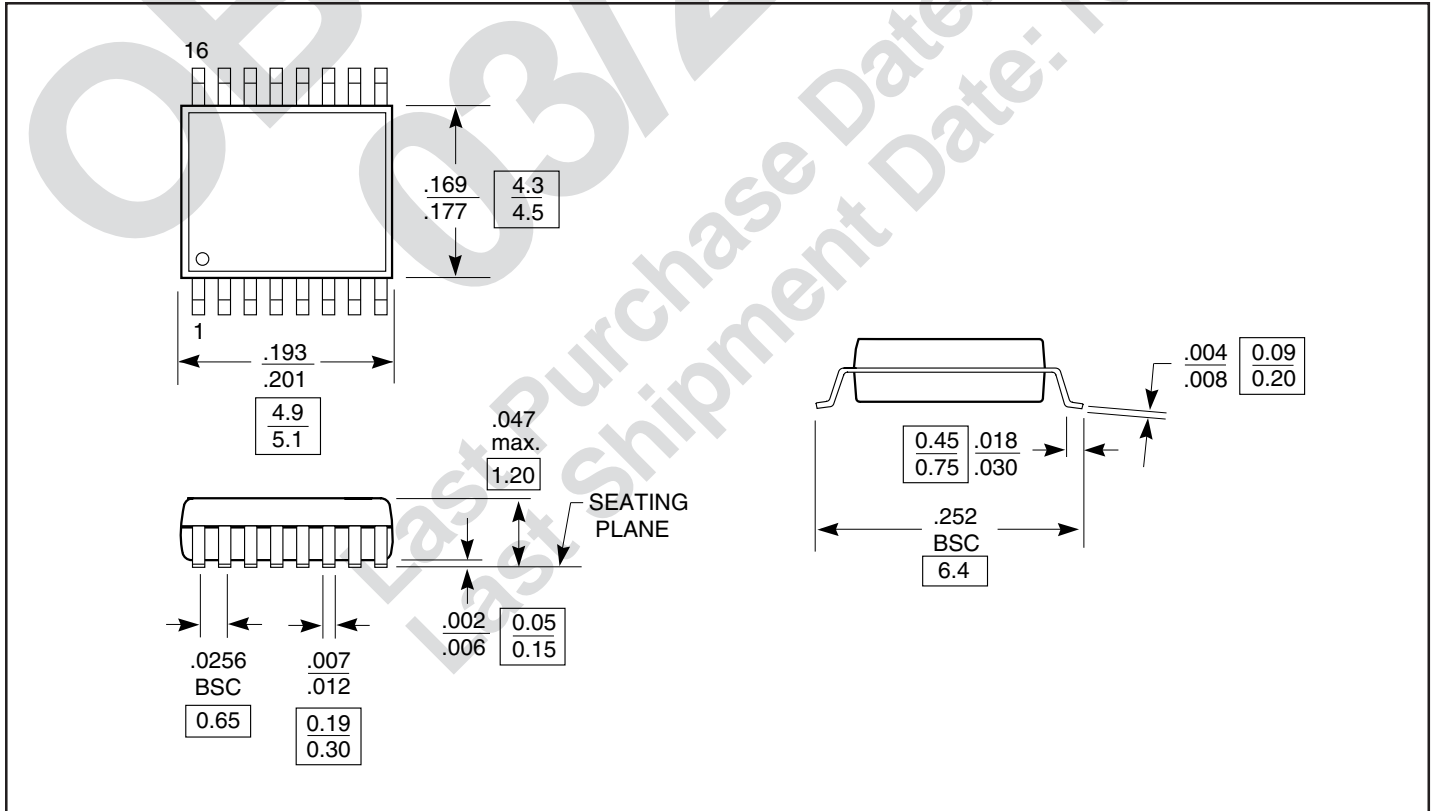
Packaging Mechanical: 14-Pin TSSOP(L)



Packaging Mechanical: 16-Pin SOIC (W)



Packaging Mechanical: 16-Pin TSSOP (L)





Ordering Information

| Ordering Code | Package Code | Package Type |
|---------------|--------------|-------------------------------|
| PI90LVB179U | U | 8-pin MSOP |
| PI90LVB179UE | U | Pb-free & Green, 8-pin MSOP |
| PI90LVB179W | W | 8-pin SOIC |
| PI90LVB179WE | W | Pb-free & Green, 8-pin SOIC |
| PI90LVB180L | L | 14-pin TSSOP |
| PI90LVB180LE | L | Pb-free & Green, 14-pin TSSOP |
| PI90LVB180W | W | 14-pin SOIC |
| PI90LVB180WE | W | Pb-free & Green, 14-pin SOIC |
| PI90LVB050L | L | 16-pin TSSOP |
| PI90LVB050LE | L | Pb-free & Green, 16-pin TSSOP |
| PI90LVB050W | W | 16-pin SOIC |
| PI90LVB050WE | W | Pb-free & Green, 16-pin SOIC |
| PI90LVB051L | L | 16-pin TSSOP |
| PI90LVB051LE | L | Pb-free & Green, 16-pin TSSOP |
| PI90LVB051W | W | 16-pin SOIC |
| PI90LVB051WE | W | Pb-free & Green, 16-pin SOIC |

Notes:

1. Thermal characteristics can be found on the company web site at www.pericom.com/packaging/