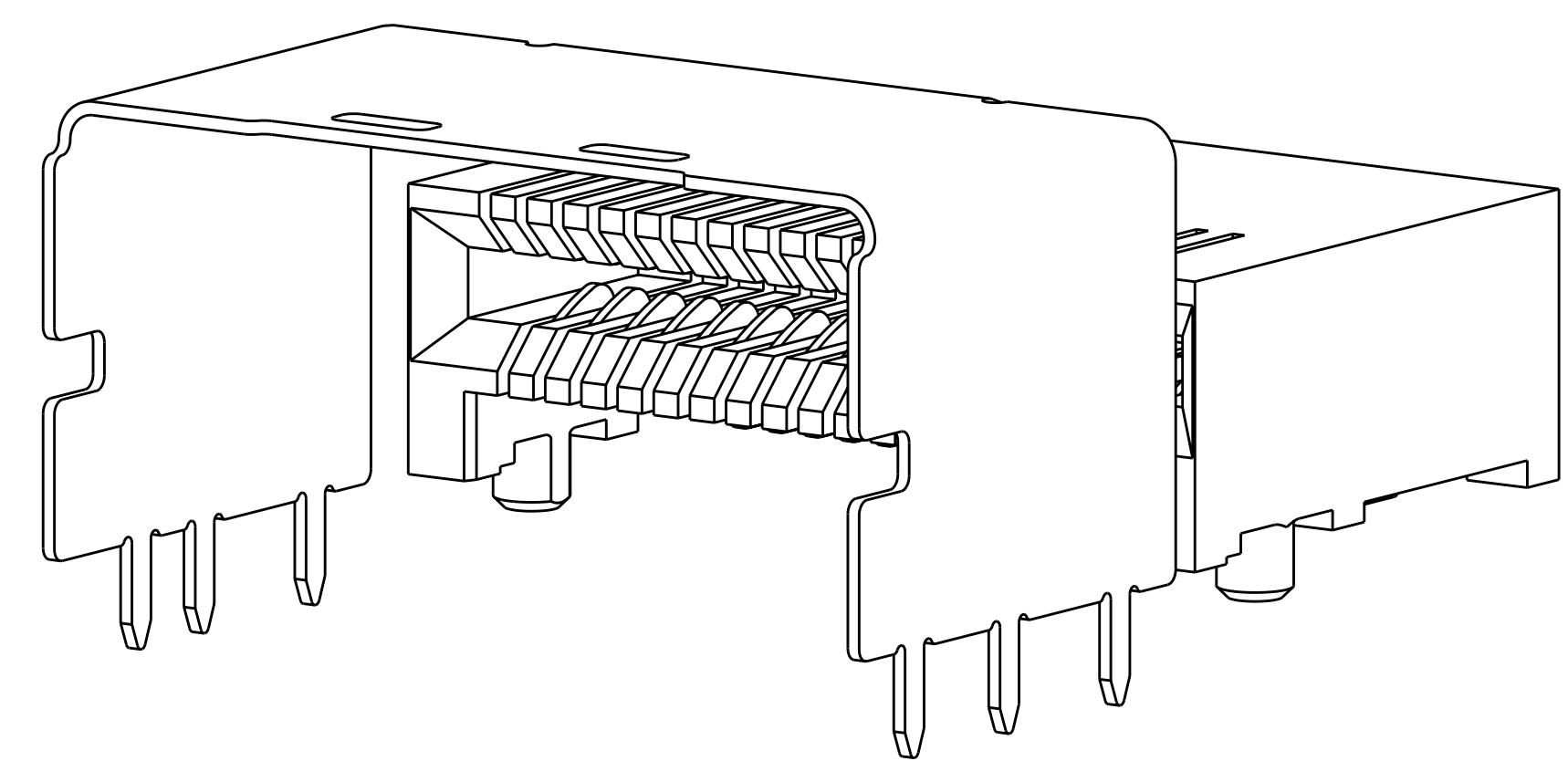
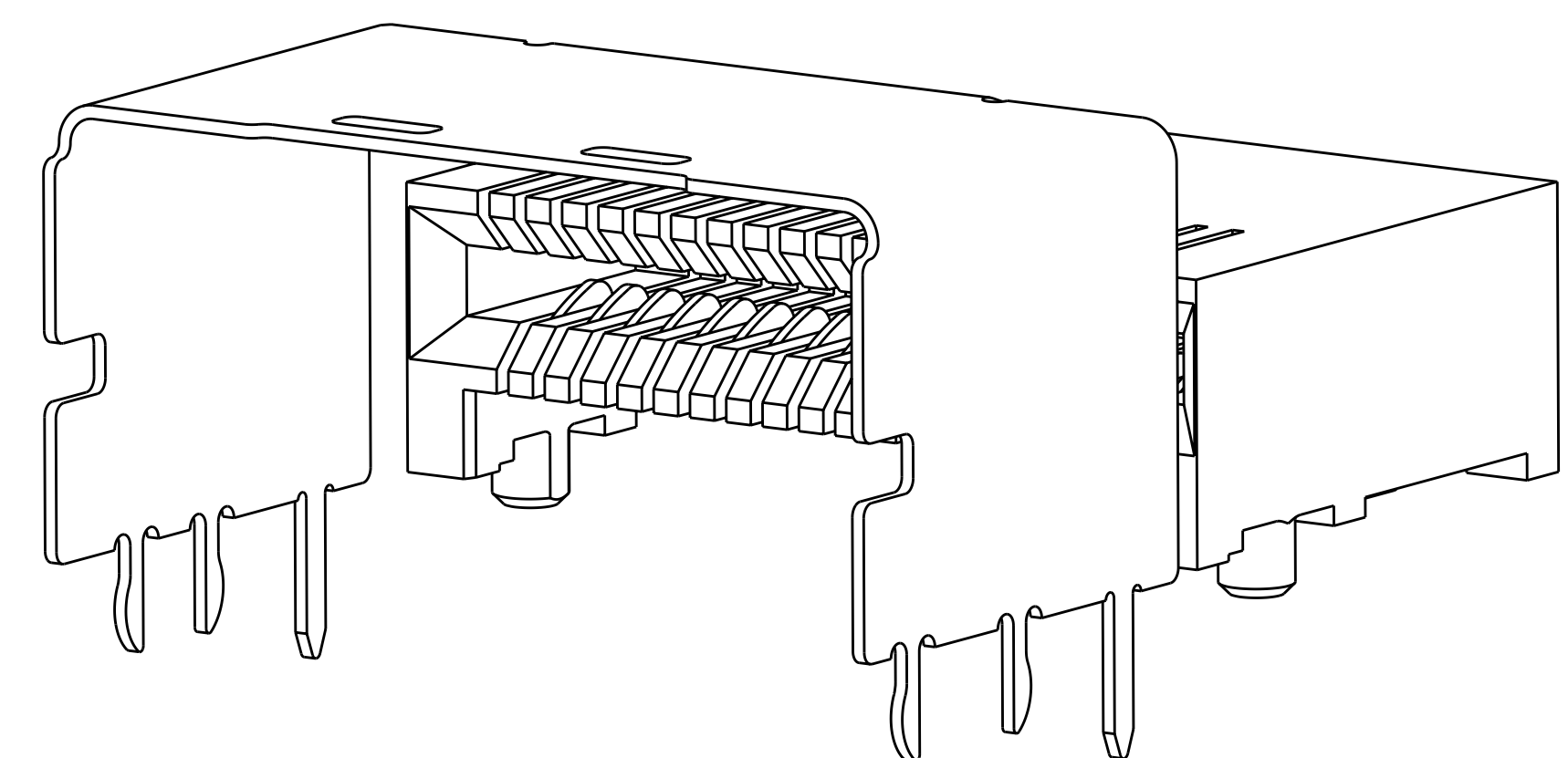


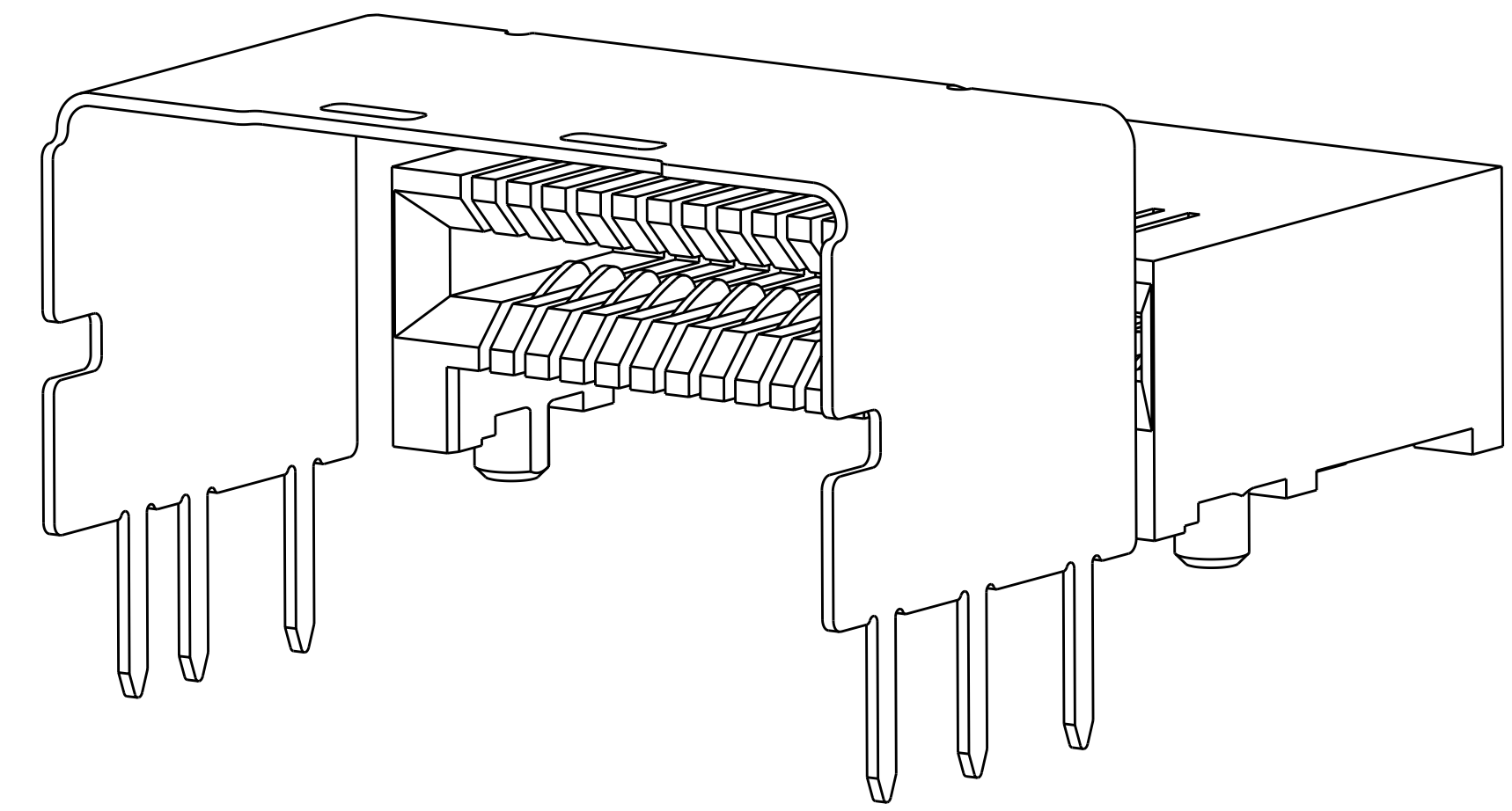
LOC	DIST	REVISIONS			
GP	00	REV	DATE	BY	APPD
		B1	08OCT2009	CR	DG
		B2	02AUG2010	JY	SY



1888861-2 AND 1888861-9
 SHOWN WITHOUT PICK AND PLACE DEVICE



1888861-4 AND 1-1888861-0
 SHOWN WITHOUT PICK AND PLACE DEVICE



1888861-8 AND 1-1888861-2
 SHOWN WITHOUT PICK AND PLACE DEVICE

△ MATERIAL: LCP, BLACK.

△ MATERIAL: PHOSPHOR BRONZE PER ASTM B 103.

△ FINISH: 0.76um MIN GOLD PLATE PER ASTM B 488, APPLIES TO INTERFACE AREA AND 2.03um MIN TIN PLATE SOLDER TAILS, ALL OVER 3.81um MIN NICKEL PLATE PER QQ-N-290.

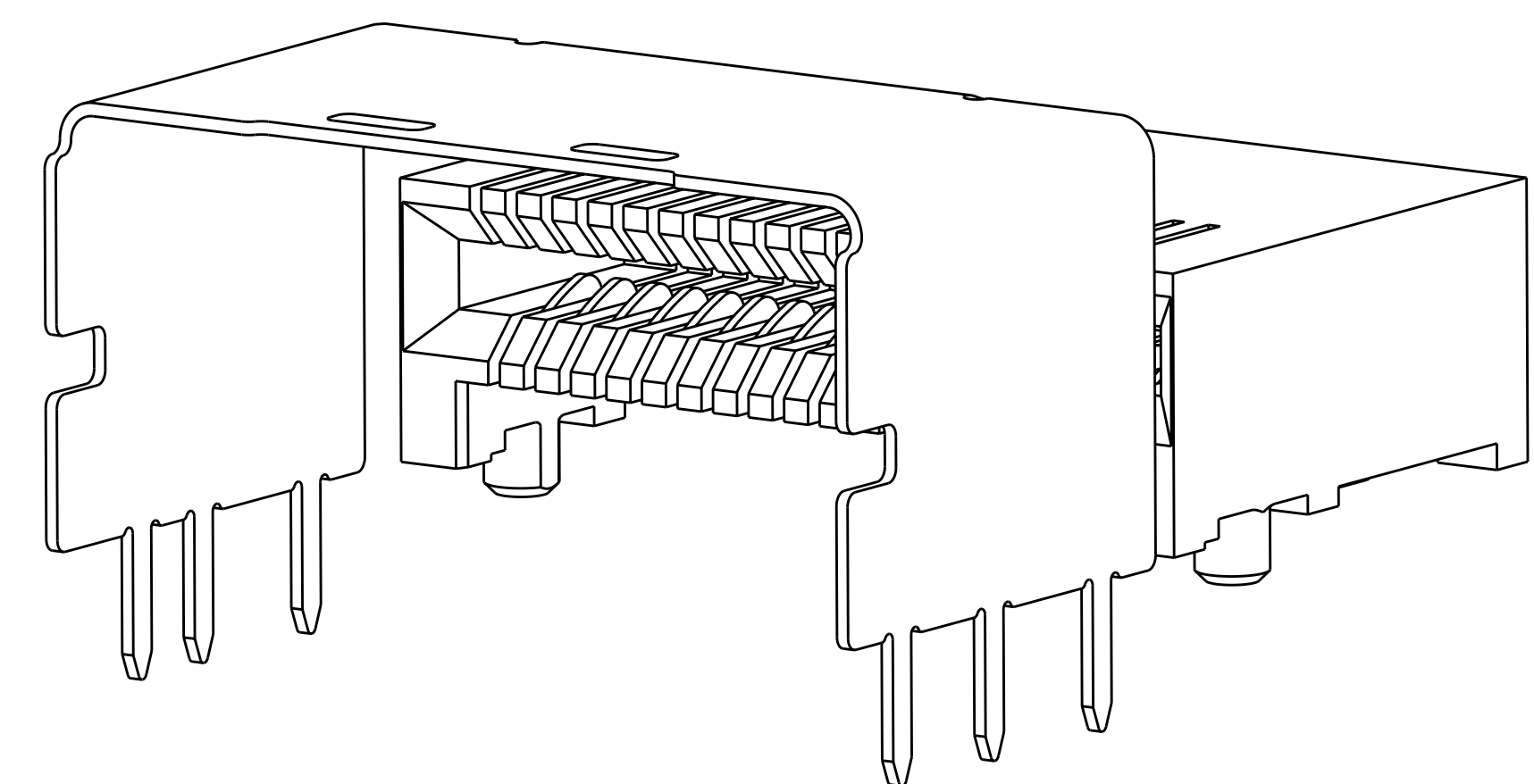
△ MATERIAL: NICKEL-SILVER PER ASTM B 122.

△ DATUM AND BASIC DIMENSION ESTABLISHED BY CUSTOMER.

6. REFER TO CUSTOMER DRAWING 1761987 FOR CONNECTOR DETAILS.

7. PACKAGED IN TAPE AND REEL PER EIA-481.

△ FINISH: 0.38um MIN GOLD PLATE PER ASTM B 488, APPLIES TO INTERFACE AREA AND 2.03um MIN TIN PLATE SOLDER TAILS, ALL OVER 3.81um MIN NICKEL PLATE PER QQ-N-290.

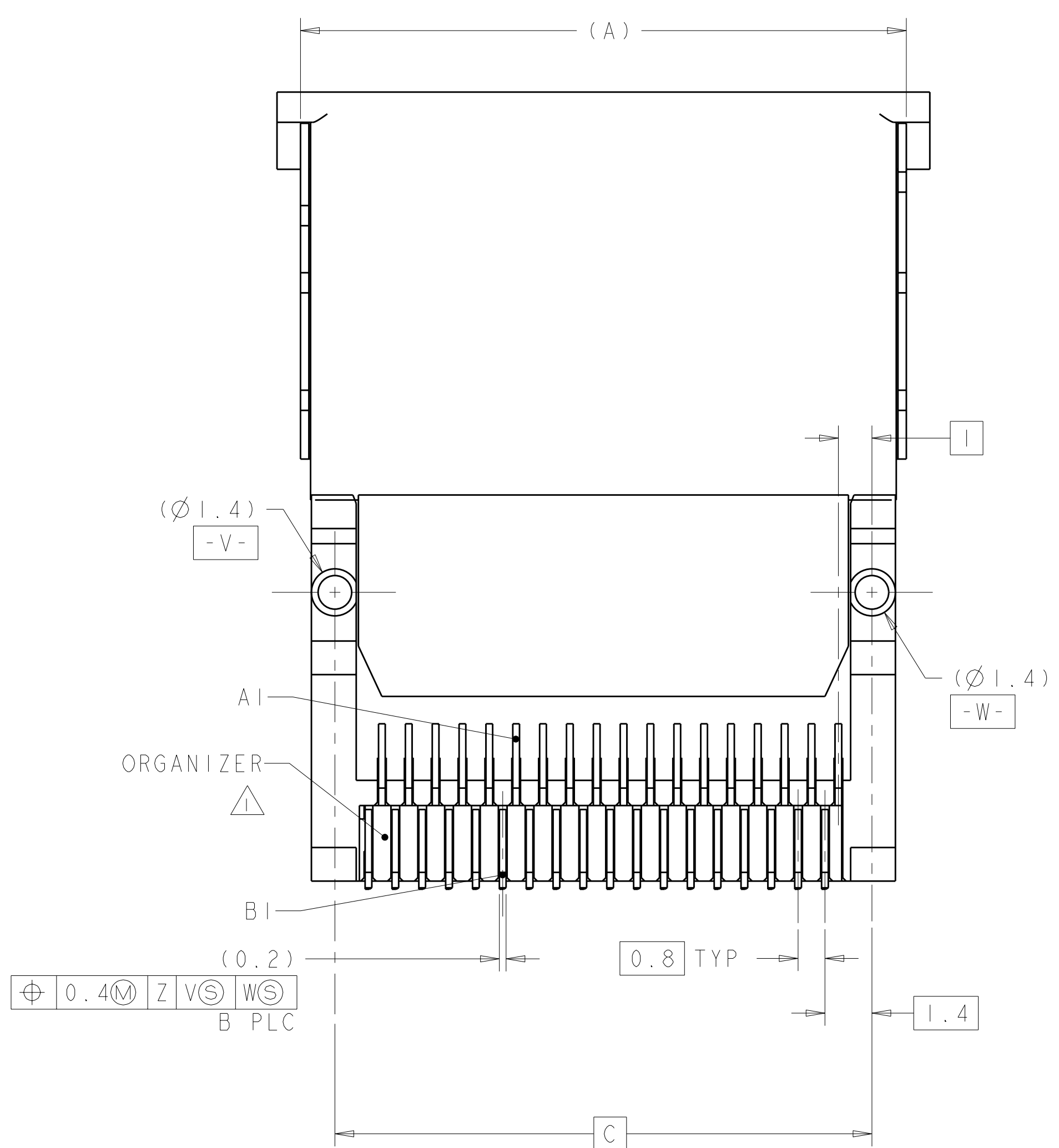
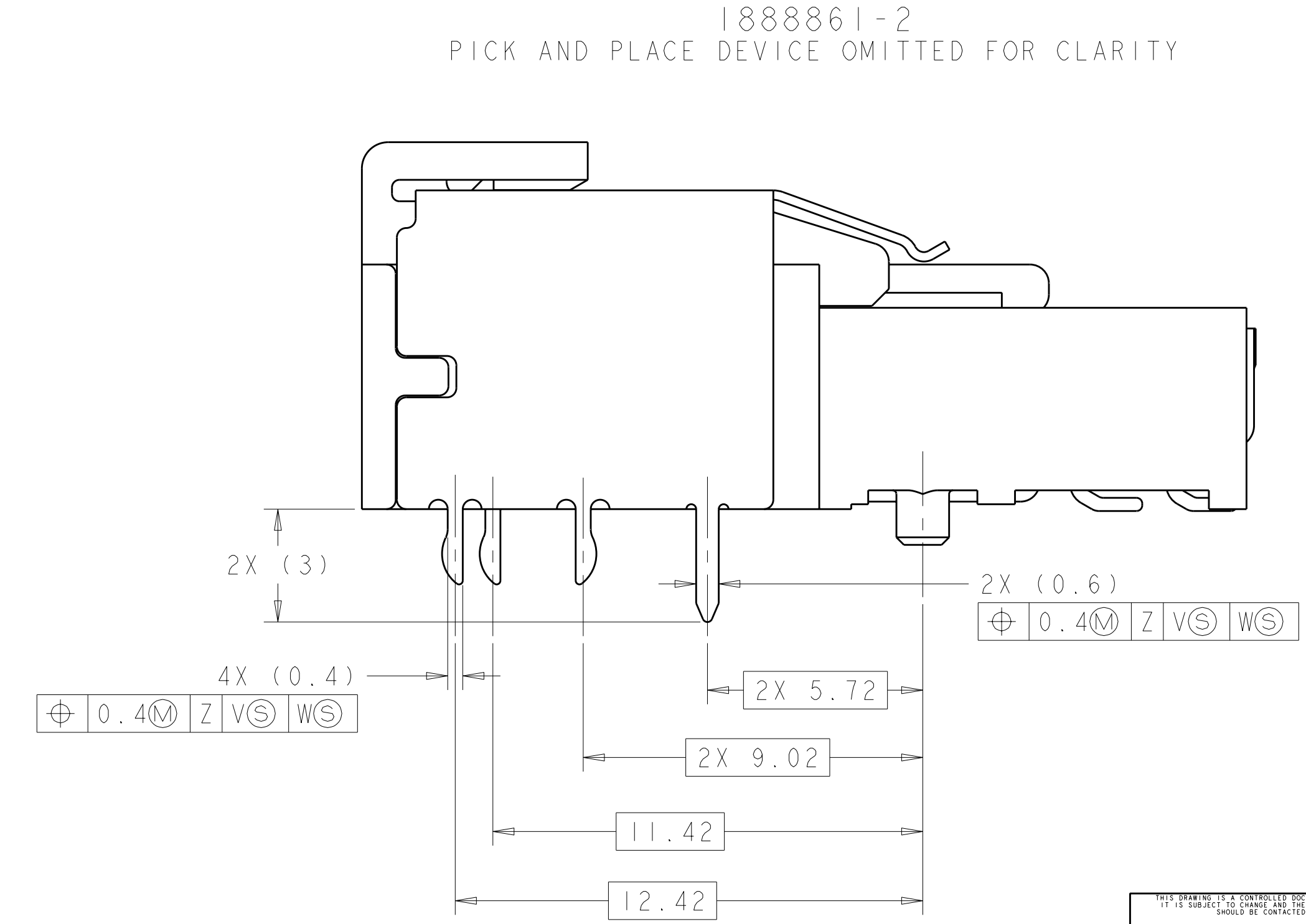
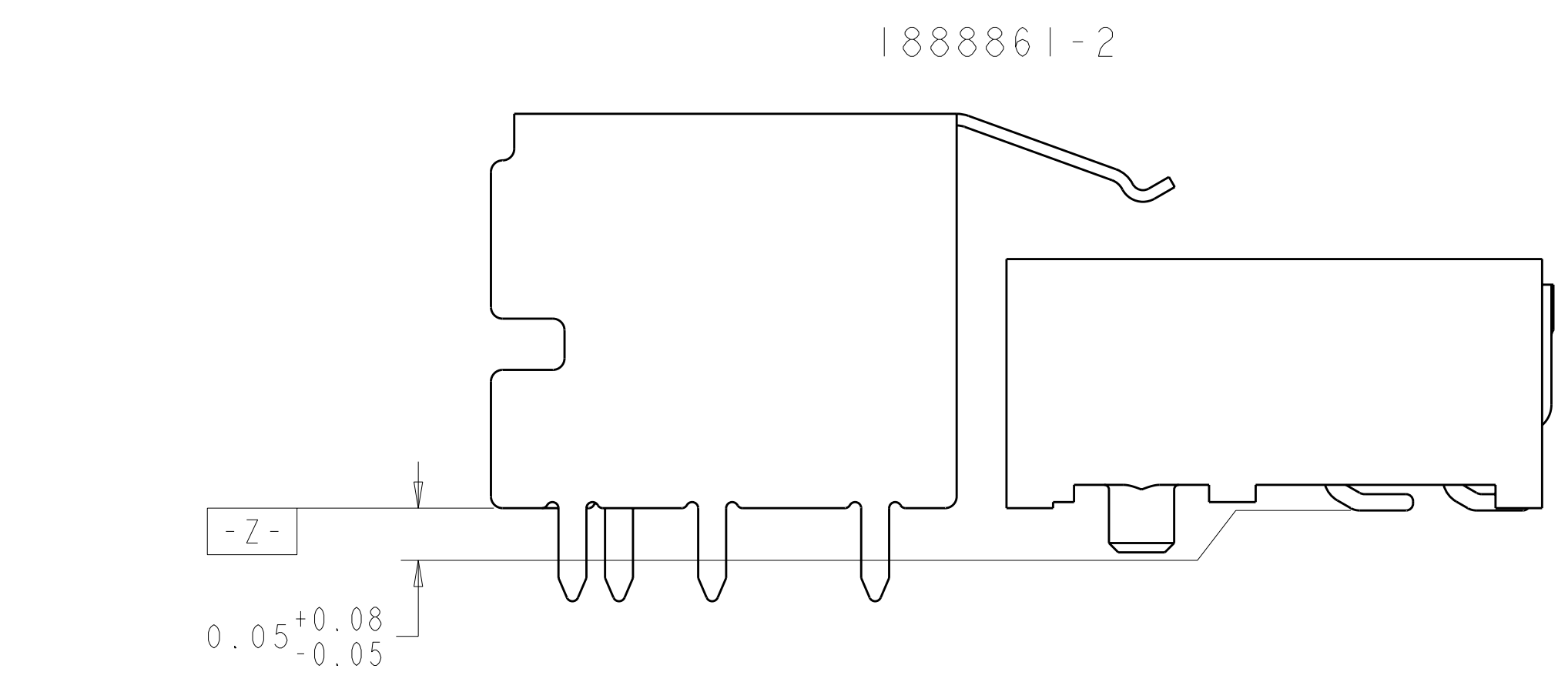
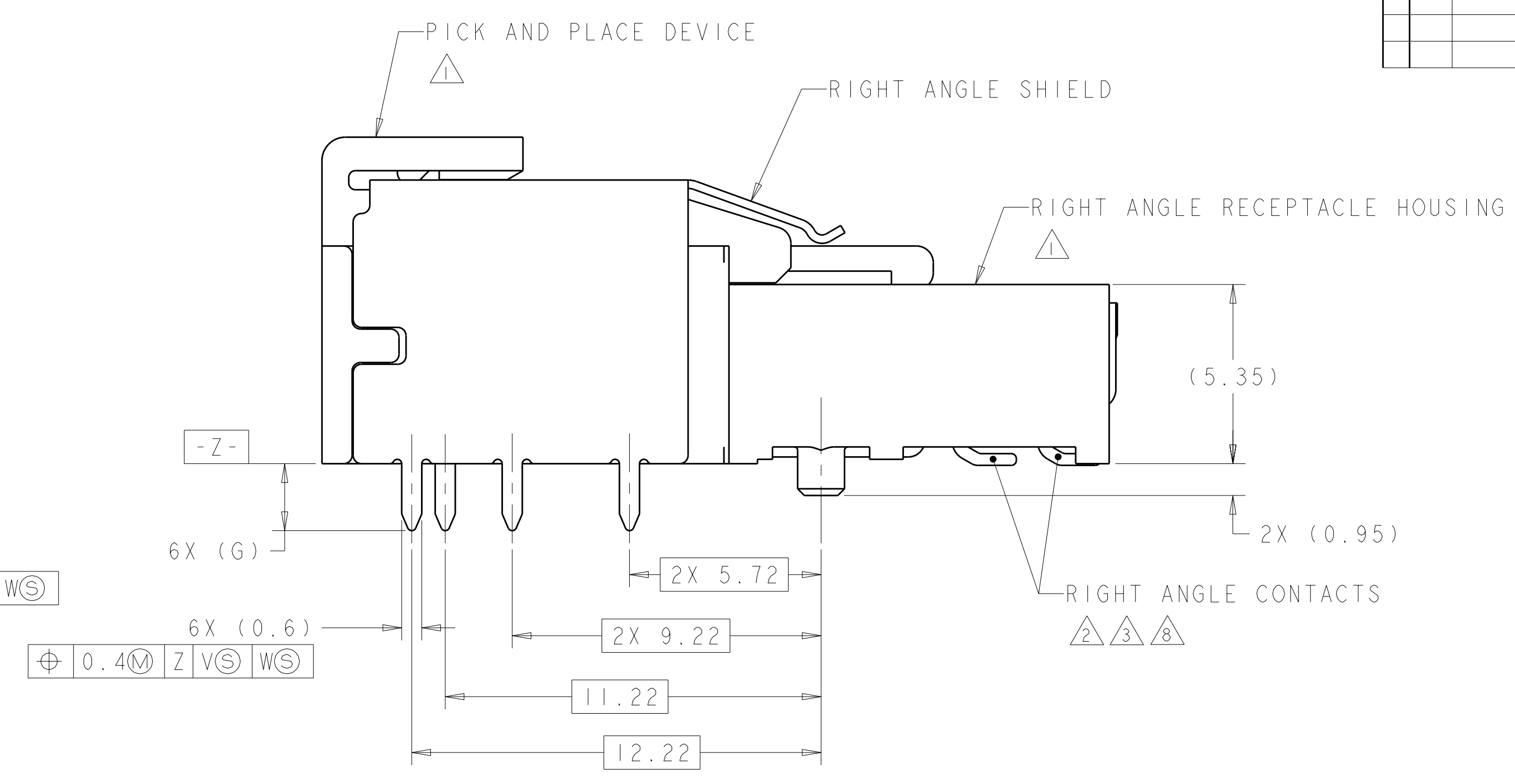
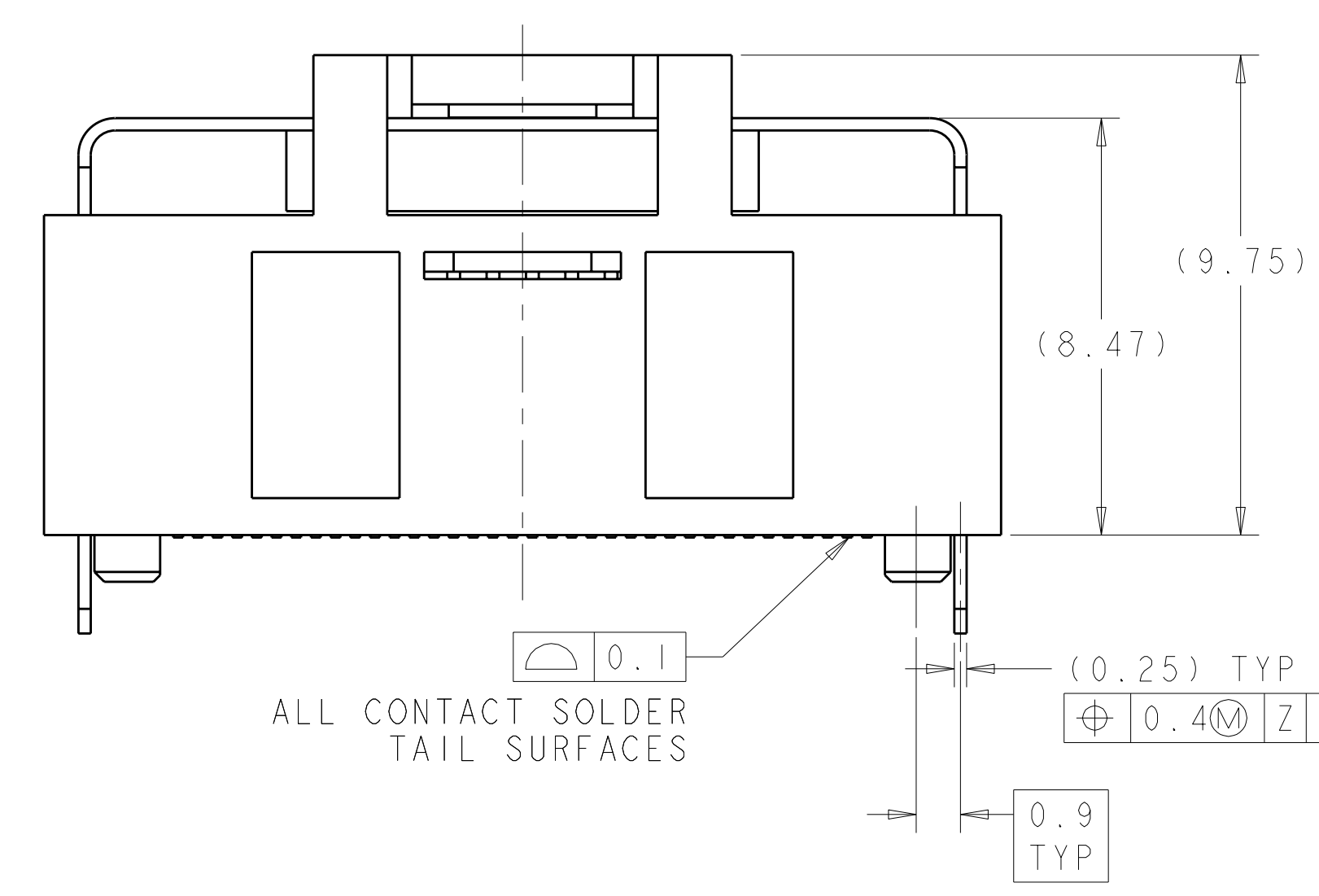


1888861-6 AND 1-1888861-1
 SHOWN WITHOUT PICK AND PLACE DEVICE

FINISH	REMARKS	G	E	D	C	B	A	POSN	PART NUMBER
△	THRU HOLE	3.5	17.8	16	16	36	18.05	36	1-1888861-2
	PRESS FIT	-	17.8	16	16	36	18.05	36	1-1888861-0
	THRU HOLE	2	17.8	16	16	36	18.05	36	1888861-9
△	THRU HOLE	3.5	17.8	16	16	36	18.05	36	1888861-8
	PRESS FIT	-	17.8	16	16	36	18.05	36	1888861-4
	THRU HOLE	2	17.8	16	16	36	18.05	36	1888861-2

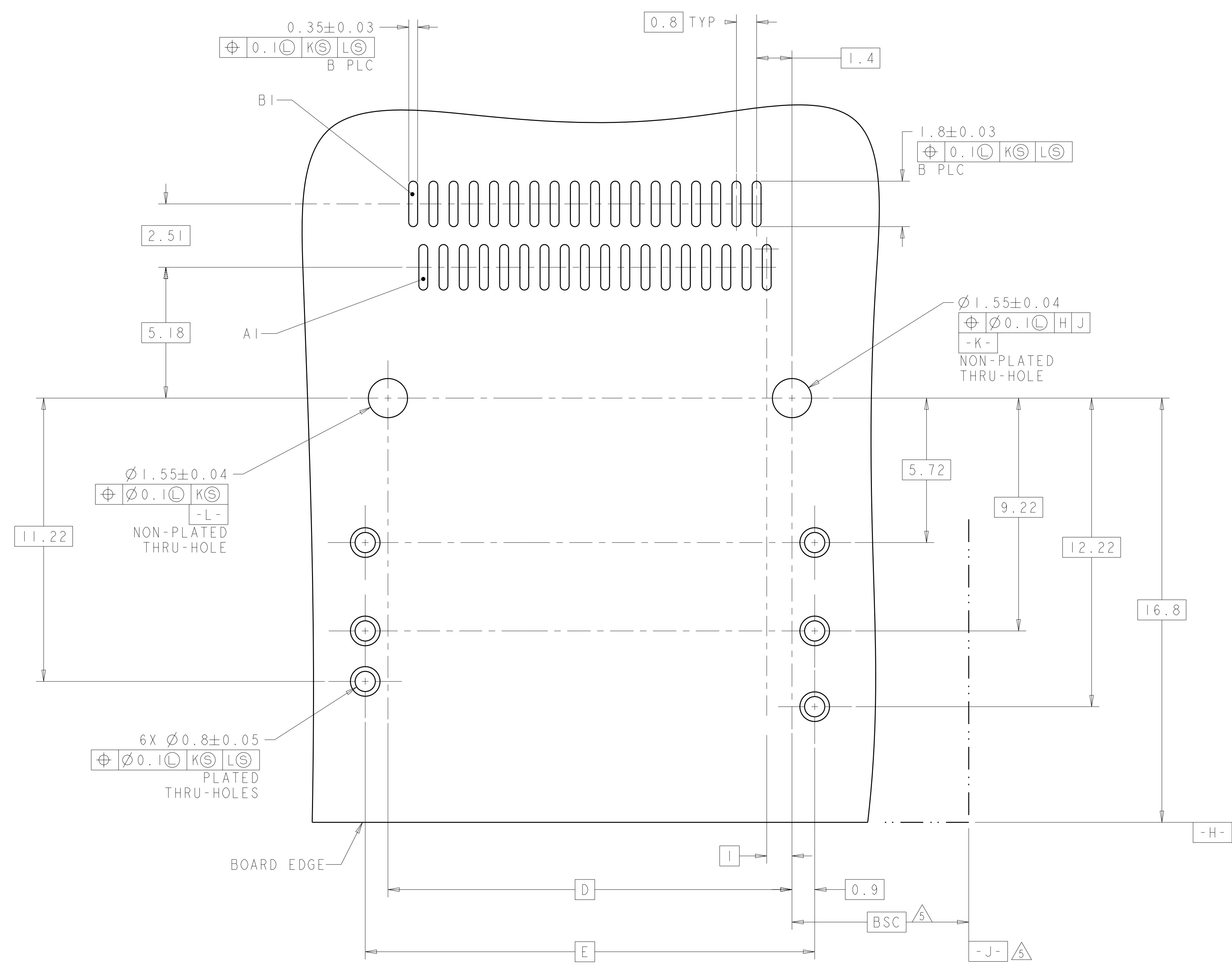
DIMENSIONS: mm 		TOLERANCES UNLESS OTHERWISE SPECIFIED: 9 PLC ± 1 PLC ± 5 PLC ± 4 PLC ± ANGLES ± FINISH ±		DWN B. MCMASTER 21FEB07 CHK D. GORENC 21FEB07 APVD D. GORENC 21FEB07		Tyco Electronics Harrisburg, PA 17105-3608	
MATERIAL SEE NOTES		FINISH SEE TABLE		PRODUCT SPEC 108-2234 APPLICATION SPEC		NAME EVERCLEAR Mini-SAS RIGHT ANGLE, INTERNAL RECEPTACLE ASSEMBLY, WITH UNKEYED SHELL SIZE CAGE CODE DRAWING NO. A100779C=1888861	
CUSTOMER DRAWING				WEIGHT -		RESTRICTED TO	
SCALE 8:1						SHEET 1 OF 3 REV B2	

LOC	DIST	REVISIONS					
GP	00	P	LTN	DESCRIPTION	DATE	DWN	APVD
		-	-	SEE SHEET 1	-	-	-



DIMENSIONS: mm 		TOLERANCES UNLESS OTHERWISE SPECIFIED: 9 PLC ± 5 PLC ± 4 PLC ± ANGLES ±		DWN B. MCMASTER 21FEB07 CHK D. GORENC 21FEB07 APVD D. GORENC 21FEB07		Tyco Electronics Harrisburg, PA 17105-3608	
MATERIAL: SEE NOTES FINISH: SEE TABLE		108-2234 APPLICATION SPEC		NAME: EVERCLEAR Mini-SAS RIGHT ANGLE, INTERNAL RECEPTACLE ASSEMBLY, WITH UNKEYED SHELL		SIZE: A 00779 C=1888861	
CUSTOMER DRAWING		SCALE: 5:1		SHEET: 2 OF 3		REV: B2	

LOC	DIST	REVISIONS					
GP	00	P	LTB	DESCRIPTION	DATE	DWN	APVD
		-	-	SEE SHEET 1	-	-	-



RECOMMENDED PCB LAYOUT
 SCALE 10:1

<small>THIS DRAWING IS UNPUBLISHED. RELEASED FOR PUBLICATION 20. THIS IS SUBJECT TO CHANGE WITHOUT NOTICE AND WITHOUT LIABILITY. TOLERANCES UNLESS OTHERWISE SPECIFIED: DIMENSIONS: mm</small>		DWN: B. MCMASTER 21FEB07 CHK: D. GORENC 21FEB07 APVD: D. GORENC 21FEB07	Tyco Electronics Harrisburg, PA 17105-3608
DIMENSIONS: mm TOLERANCES UNLESS OTHERWISE SPECIFIED: 9 PLC ± 7 PLC ± 5 PLC ± 4 PLC ± ANGLES ±	TOLERANCES UNLESS OTHERWISE SPECIFIED: 9 PLC ± 7 PLC ± 5 PLC ± 4 PLC ± ANGLES ±	NAME: EVERCLEAR Mini-SAS RIGHT ANGLE, INTERNAL RECEPTACLE ASSEMBLY, WITH UNKEYED SHELL PRODUCT SPEC: 108-2234 APPLICATION SPEC:	SIZE: A 00779 C=1888861 RESTRICTED TO:
MATERIAL: SEE NOTES FINISH: SEE TABLE	WEIGHT: - CUSTOMER DRAWING	SCALE: 5:1 SHEET: 3 OF 3 REV: B2	DATE: - DWN: - APVD: -